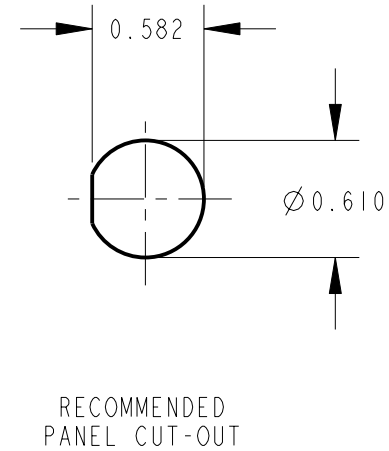
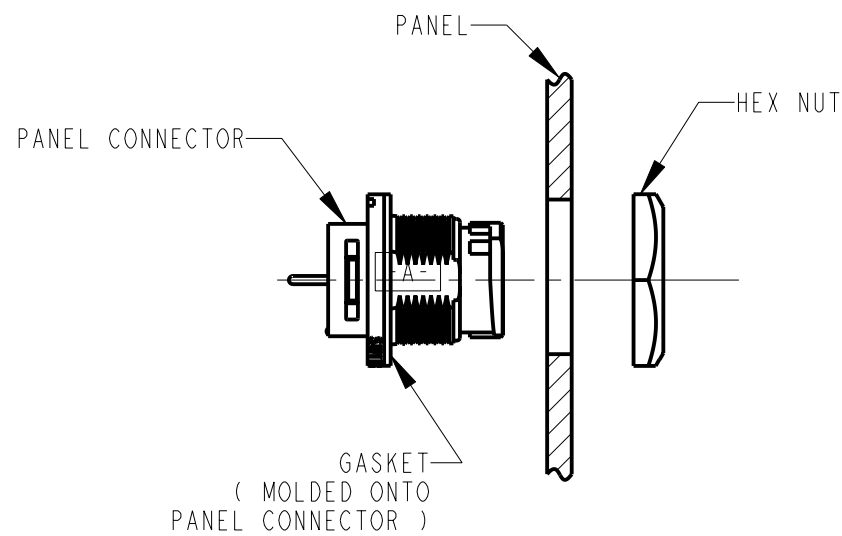


SWITCHCRAFT PANEL CONNECTOR ASSEMBLY INSTRUCTIONS



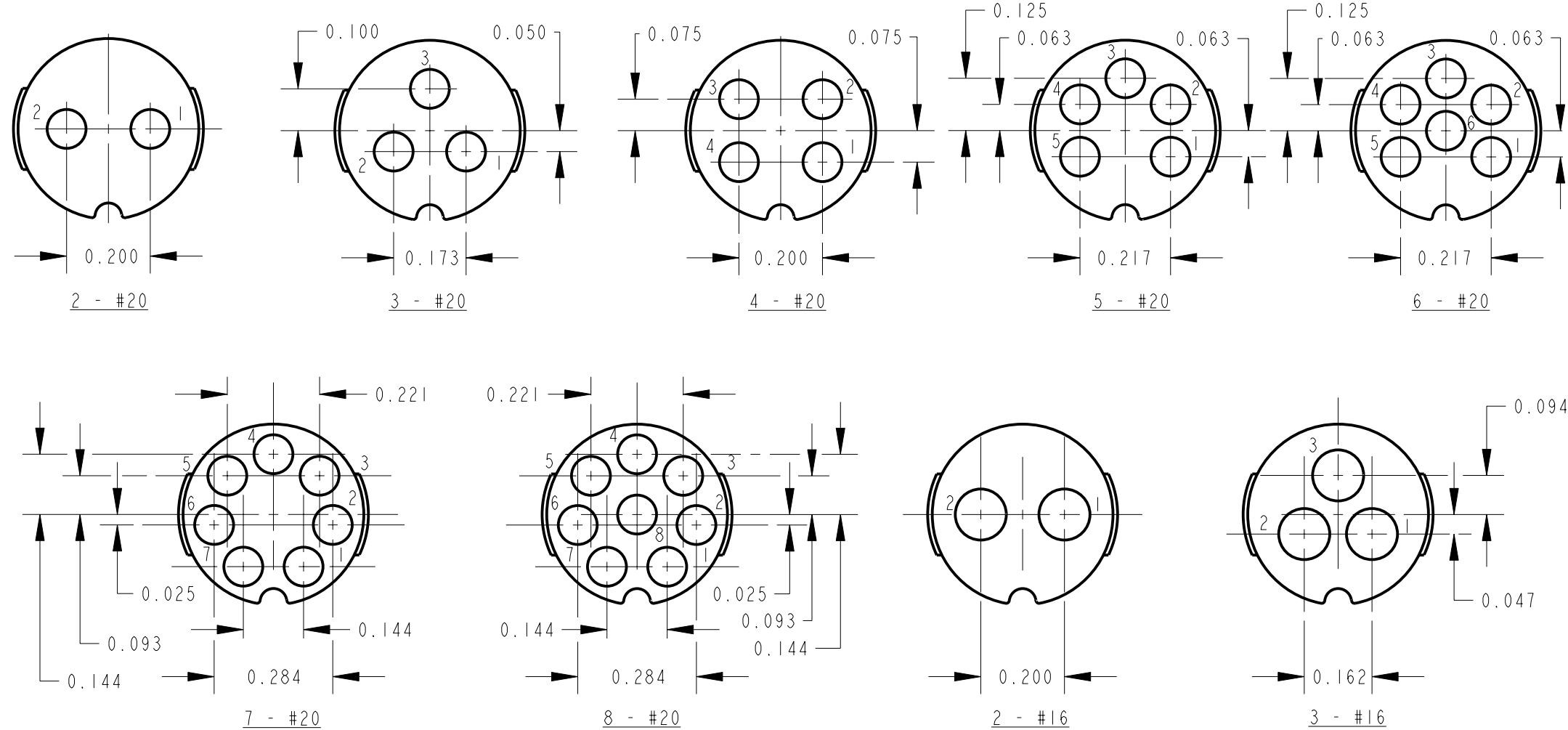
SPECIFICATIONS

**MECHANICAL:**  
SHOCK: MIL-STD 202 METHOD 213B, COND. K.  
VIBRATION: MIL-STD 202 METHOD 201  
LIFE: 300 INSERTION/WITHDRAWAL CYCLES (MINIMUM)

**ELECTRICAL**  
DIELECTRIC WITHSTANDING VOLTAGE: 1,000 VAC  
INSULATION RESISTANCE: 100 MEGOHMS (MIN) AT 77°F  
CONTACT RESISTANCE: 5.0 MILLOHMS MAX.  
CURRENT RATING: 7.5 AMPS (#20 CONTACT)  
6.5 AMPS (7 & 8 PIN #20 CONTACT)  
13.0 AMPS (#16 CONTACT)

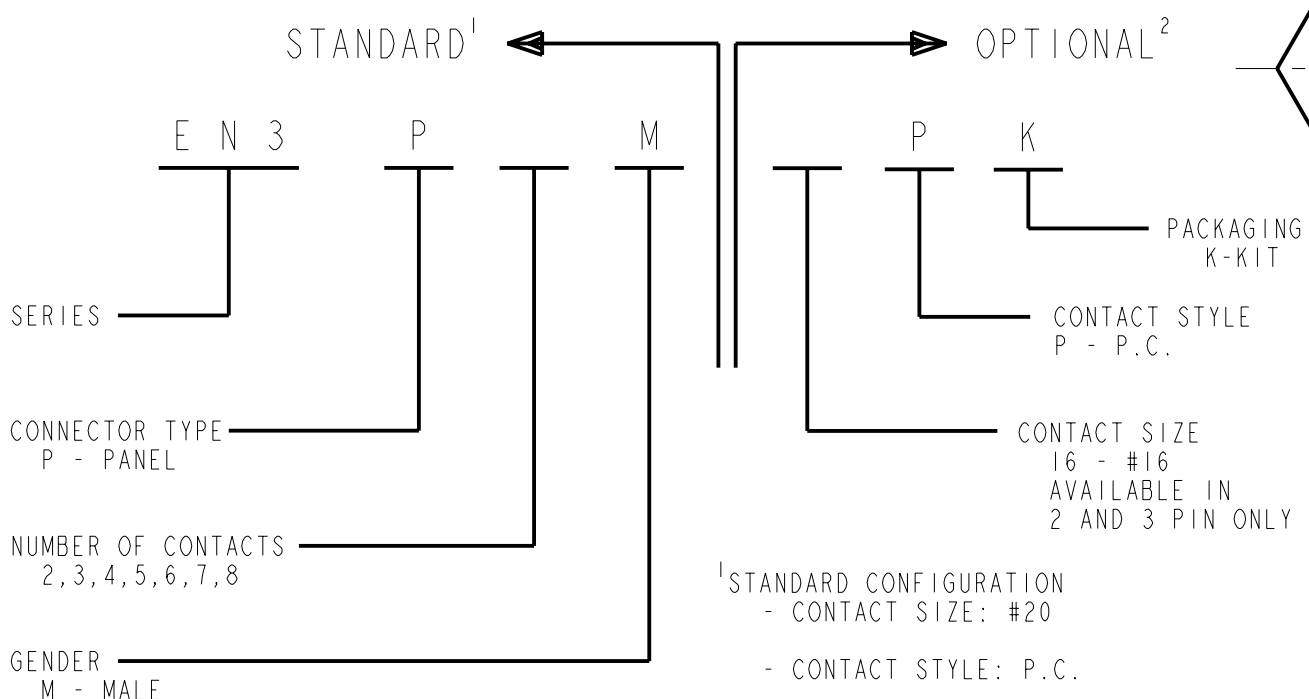
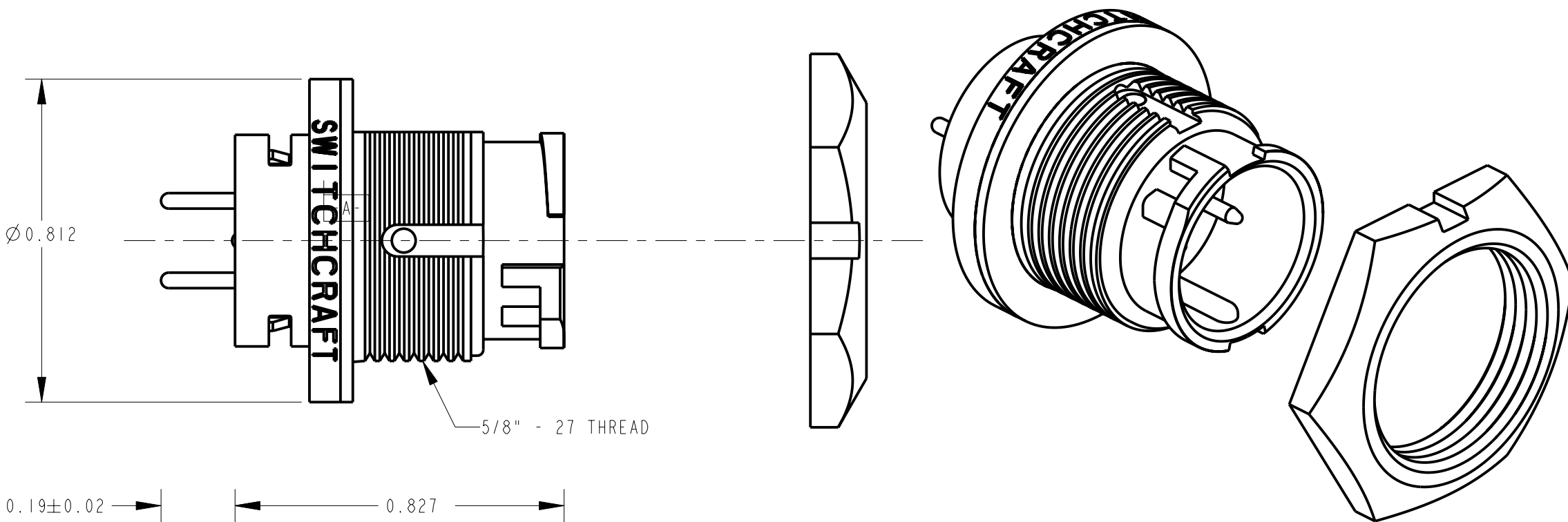
**ENVIRONMENTAL**  
TEMPERATURE LIMITS: -40°C TO +65°C (NON-OPERATING)  
MOISTURE RESISTANCE: MIL-STD 202 METHOD 106F  
INSULATION RESISTANCE: MIL-STD 202 METHOD 302, COND. B  
THERMAL SHOCK: MIL-STD 202 METHOD 107G  
SALT SPRAY: MIL-STD 202 METHOD 101D, COND. B  
WATER TIGHTNESS TEST: U.S. COAST GUARD CFR 46 PART 110.20

- NOTES:
- HEX NUT TORQUE: 8 TO 10 INCH-LBS. OF TORQUE (MUST NOT EXCEED 10 INCH-LBS.)
  - HEX NUT SHIPPED UNASSEMBLED.

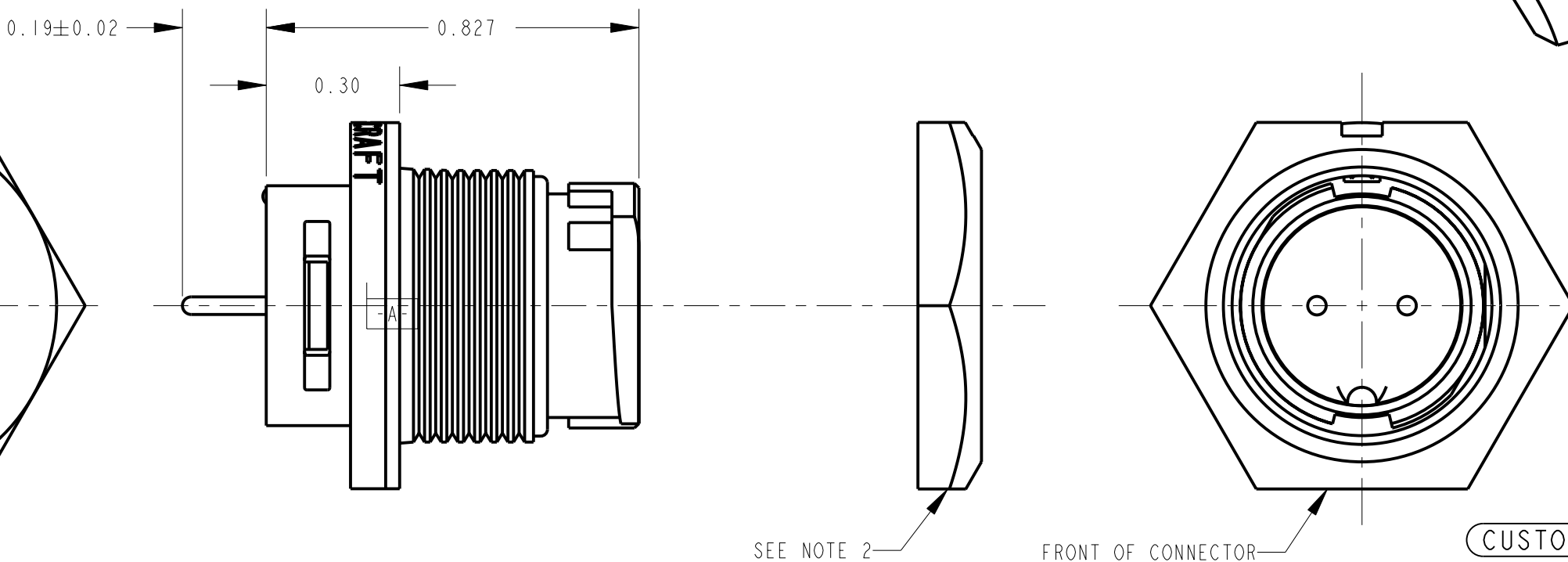


HOLE LAYOUTS VIEWED FROM FRONT OF CONNECTOR  
RECOMMENDED HOLE SIZE: #20 CONTACT: .046" DIA.  
#16 CONTACT: .055" DIA.

**MATERIALS:**  
PANEL CONNECTOR SHELL, CONTACT LOCKING DISC: THERMOPLASTIC POLYMER GLASS FIBER, FLAME RETARDANT  
CONNECTOR SHELL INTERIOR: THERMOPLASTIC RUBBER  
CONTACTS: COPPER BASE ALLOY GOLD-PLATED OVER NICKEL UNDERPLATE  
HEX NUT: THERMOPLASTIC



- <sup>1</sup>STANDARD CONFIGURATION  
- CONTACT SIZE: #20  
- CONTACT STYLE: P.C.  
- CONTACTS FACTORY INSTALLED  
- PACKAGED IN KIT



UNLESS OTHERWISE SPECIFIED				THIS DRAWING DESCRIBES A DESIGN CONSIDERED PROPRIETARY IN NATURE, DEVELOPED AND MANUFACTURED BY SWITCHCRAFT INC. AND IS RELEASED ON A CONFIDENTIAL BASIS FOR IDENTIFICATION PURPOSES ONLY.						
REV	ECO NUMBER	DATE	BY	APVD	SIZE	WIDTH	MULT	LBS/M	TEMPER	
E	24661	3-5-04	JL	EB	FINISH SPEC No.				MATERIAL SPEC No.	
D	23595	2-6-01	JL	DK	FIRST USED ON				SCALE 3:1	
C	22232	4-29-98	SG	RB	DATE DRAWN	BY	CHKD	APVD		
B	ECO #21461	11-1-96	MM	FL	3-8-96	CCB	3-8-96	3-14-96		
A	RELEASE TO MFG. ECO #21376	9-10-96	SG	FL	NAME				PART No.	
REVISIONS					DO NOT SCALE DRAWING				SHEET 1 OF 1	REV E