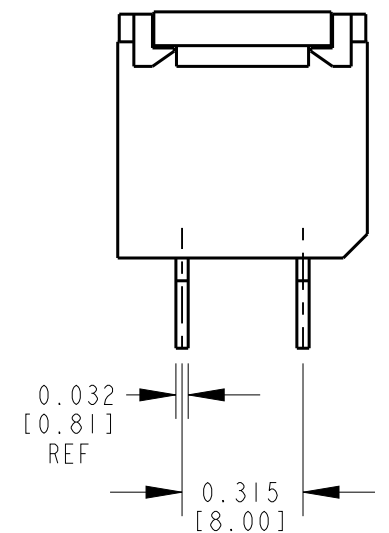
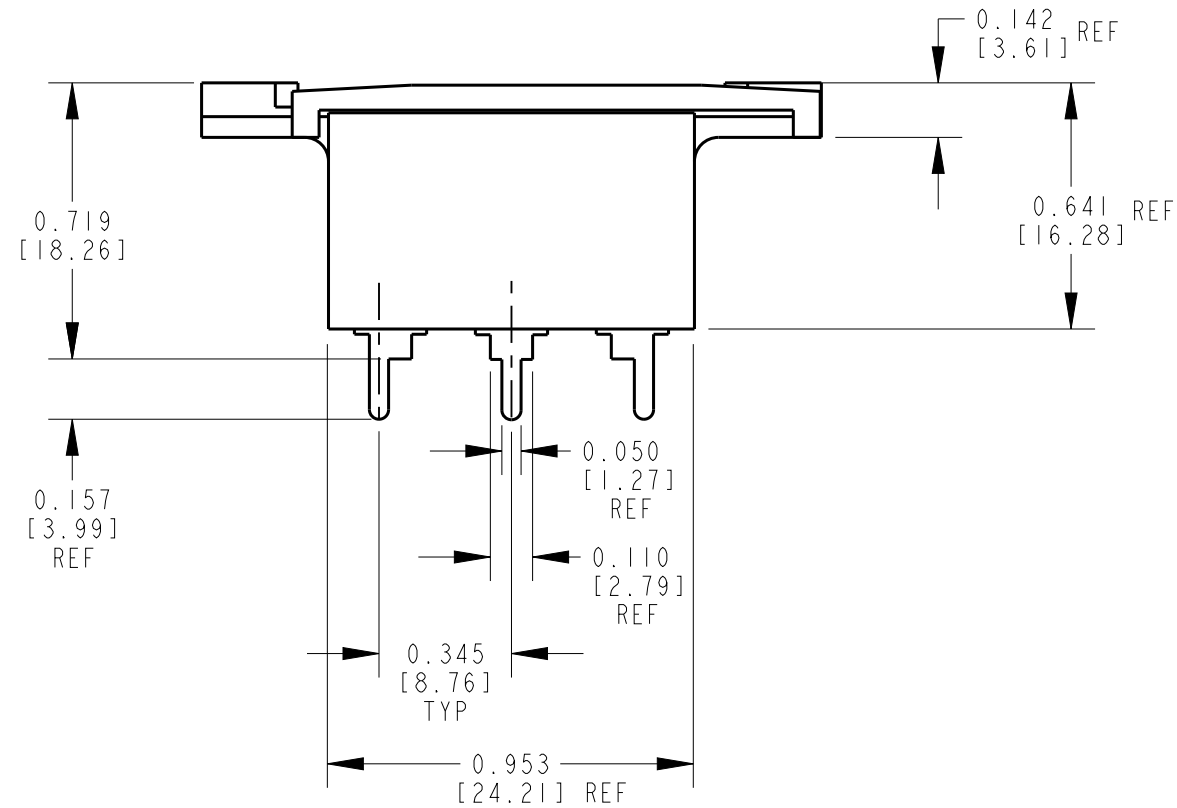
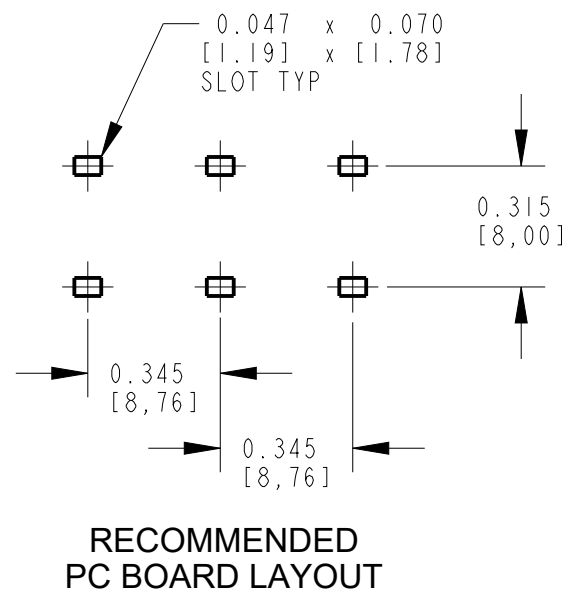


SUPERSEDED
BY
ECO 27466



CUSTOMER DRAWING

NOTES:

1. MATERIALS:
HOUSING - THERMOPLASTIC, BLACK
ACTUATOR AND COVER - THERMOPLASTIC, RED
SLIDER CONTACTS - COPPER ALLOY WITH SILVER INLAY
TERMINALS - COPPER ALLOY, SILVER PLATED

REV	ECO NUMBER	DATE	BY	APVD
C	REDRAWN	9/19/95	TJK	TJK
REVISIONS				

- ★ STAR SYMBOL DENOTES CRITICAL DIMENSION
- UNLESS OTHERWISE SPECIFIED
- 1. ALL DIMENSIONS IN INCHES
- TWO PLACE DECIMALS ±0.01
- THREE PLACE DECIMALS ±0.005
- ANGLES ±1°
- ALL DIA. CONCENTRIC WITHIN 0.005 T.I.R.
- 2. FEATURES ON THE SAME CENTERLINE MUST BE ALIGNED WITHIN ±0.002
- 3. REMOVE ALL BURRS

DO NOT SCALE DRAWING

THIS DRAWING DESCRIBES A DESIGN CONSIDERED PROPRIETARY IN NATURE, DEVELOPED AND MANUFACTURED BY SWITCHCRAFT INC. AND IS RELEASED ON A CONFIDENTIAL BASIS FOR IDENTIFICATION PURPOSES ONLY.									
SIZE		WIDTH		MULT		LBS/M		TEMPER	
FINISH					MATERIAL				
SPEC No.					SPEC No.				
FIRST USED ON				SCALE					
				NONE					
DATE DRAWN	BY	CHKD	APVD						
9/19/95	TJK	TJK	TJK						
		9/19/95	9/19/95						
NAME								PART No.	
SLIDE SWITCH								EPS3PC2	
								REV	
								C	

Switchcraft®

SHEET 1 OF 1