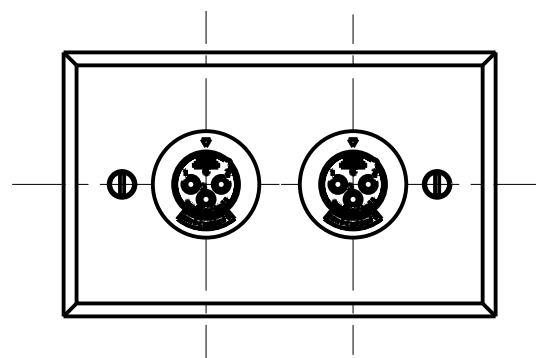
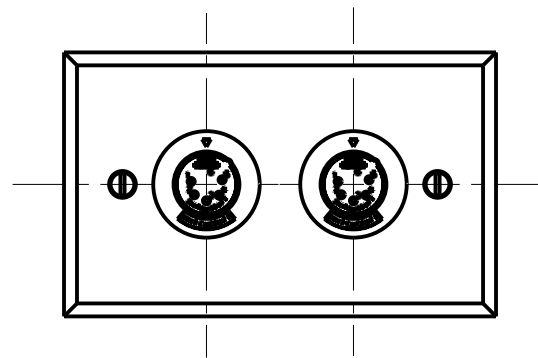


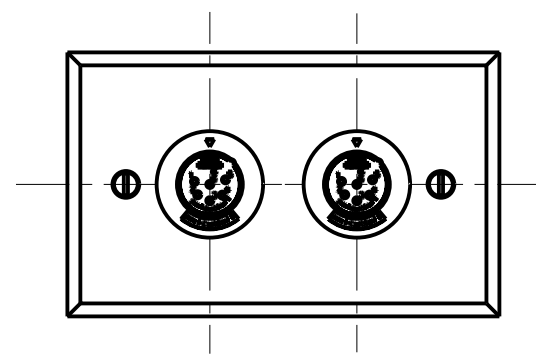
3 PIN



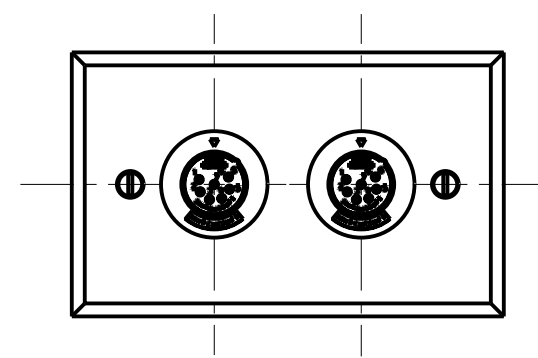
4 PIN



5 PIN



6 PIN

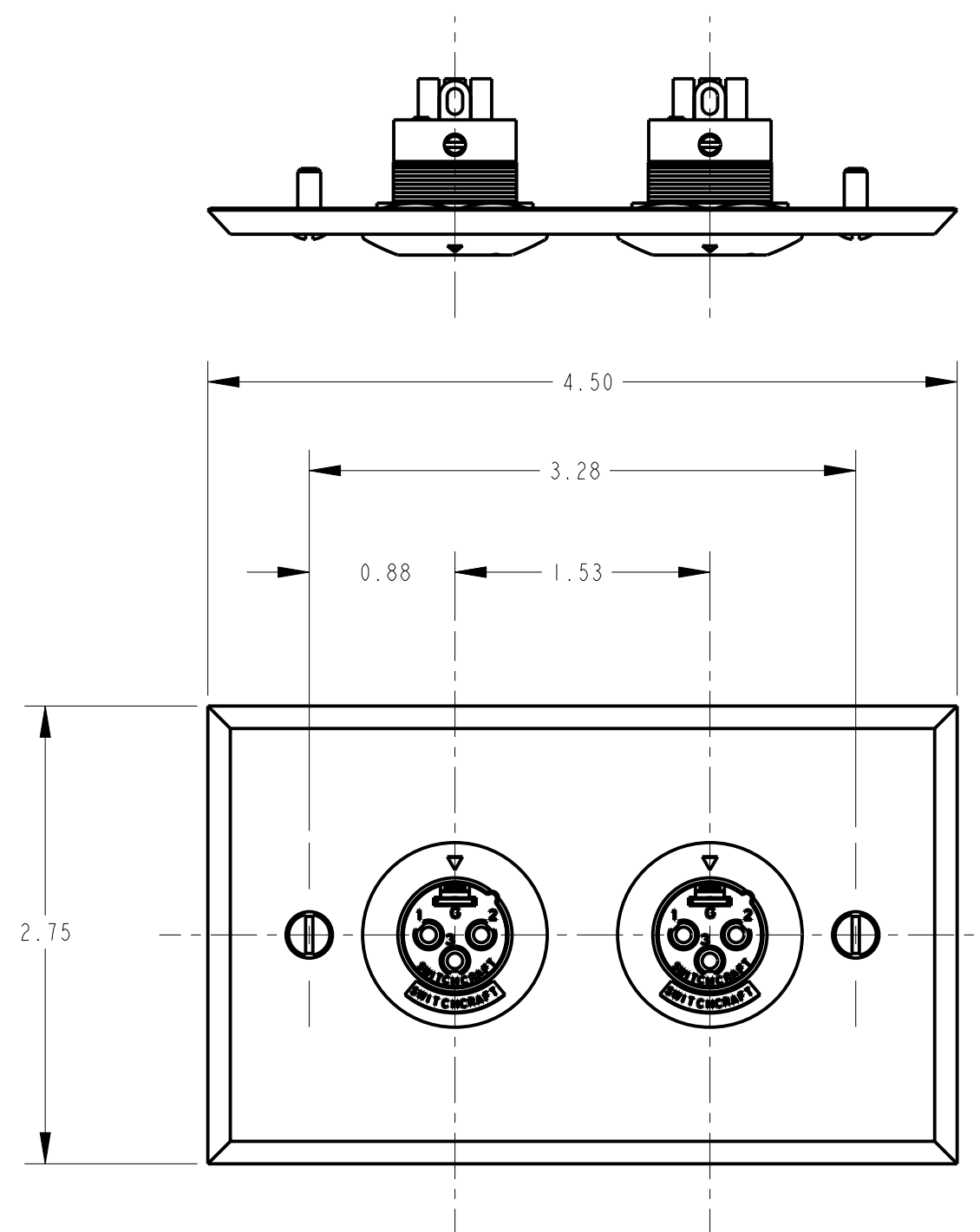
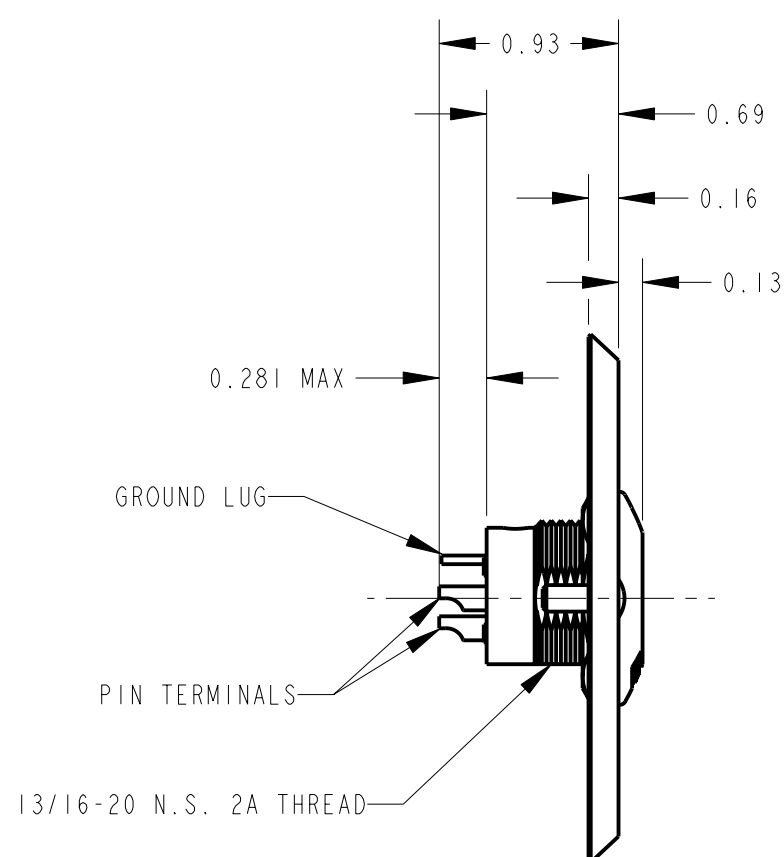


7 PIN

SCALE 1:2

NOTES:

1. ALL DIMENSIONS REF. UNLESS OTHERWISE SPECIFIED.
2. MOUNTING SCREWS SHIPPED UNASSEMBLED.



STANDARD SERIES

- SCREW - STAINLESS STEEL
- MOUNTING SCREW - STAINLESS STEEL
- WALL PLATE - STAINLESS STEEL
- WASHER - STEEL, NICKEL PLATED
- NUT - BRASS, NICKEL PLATED
- HOUSING - ZINC, NICKEL PLATED
- SOLDER TERMINAL - BRASS, ELECTRO TIN PLATED
- INSULATOR - POLYESTER, GREEN (UL94V-0)
- CONTACT PIN - BRASS, SILVER PLATED

H M S

NO. OF CONTACTS:

- 3 = 3 CONTACTS
- 4 = 4 CONTACTS
- 5 = 5 CONTACTS
- 6 = 6 CONTACTS
- 7 = 7 CONTACTS

CUSTOMER DRAWING

					★ STAR SYMBOL DENOTES CRITICAL DIMENSION		THIS DRAWING DESCRIBES A DESIGN CONSIDERED PROPRIETARY IN NATURE, DEVELOPED AND MANUFACTURED BY SWITCHCRAFT INC. AND IS RELEASED ON A CONFIDENTIAL BASIS FOR IDENTIFICATION PURPOSES ONLY.					
F	23590	12-27-00	RJ	DK	UNLESS OTHERWISE SPECIFIED			SIZE	WIDTH	MULT	LBS/M	TEMPER
E	ECO #21070	2-3-97	MM	RB	1. ALL DIMENSIONS IN INCHES - TWO PLACE DECIMALS ±0.01 - THREE PLACE DECIMALS ±0.005 - ANGLES ±1° - ALL DIA. CONCENTRIC WITHIN 0.005 T.I.R.			FINISH		MATERIAL		
D	ECO #21035	2-3-97	MM	RB	2. FEATURES ON THE SAME CENTERLINE MUST BE ALIGNED WITHIN ±0.002			SPEC No.		SPEC No.		
C	20627	2-21-96	SG	SG	3. REMOVE ALL BURRS			FIRST USED ON		SCALE 1:1		
B	ECO #19684	3-31-95	SG	FGH	DO NOT SCALE DRAWING			DATE DRAWN	BY	CHKD	APVD	Switchcraft®
A	FIRST DRAWN	8-13-94	SG	GHJ	REVISIONS		13-Aug-94	SG	8-18-94	8-18-94	SHEET OF	
							NAME		PART No.		REV	
							H SERIES WALL MOUNT MALE OG		H_MS SERIES		F	