

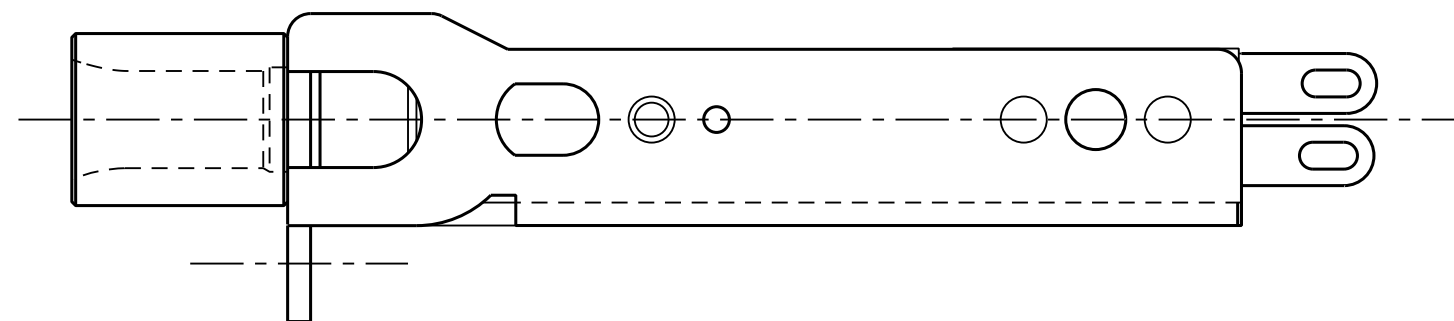
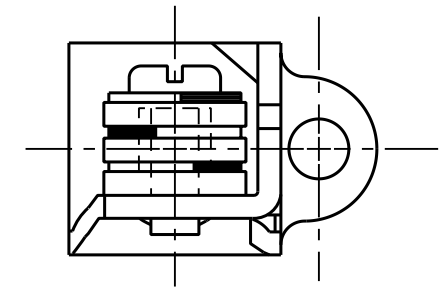
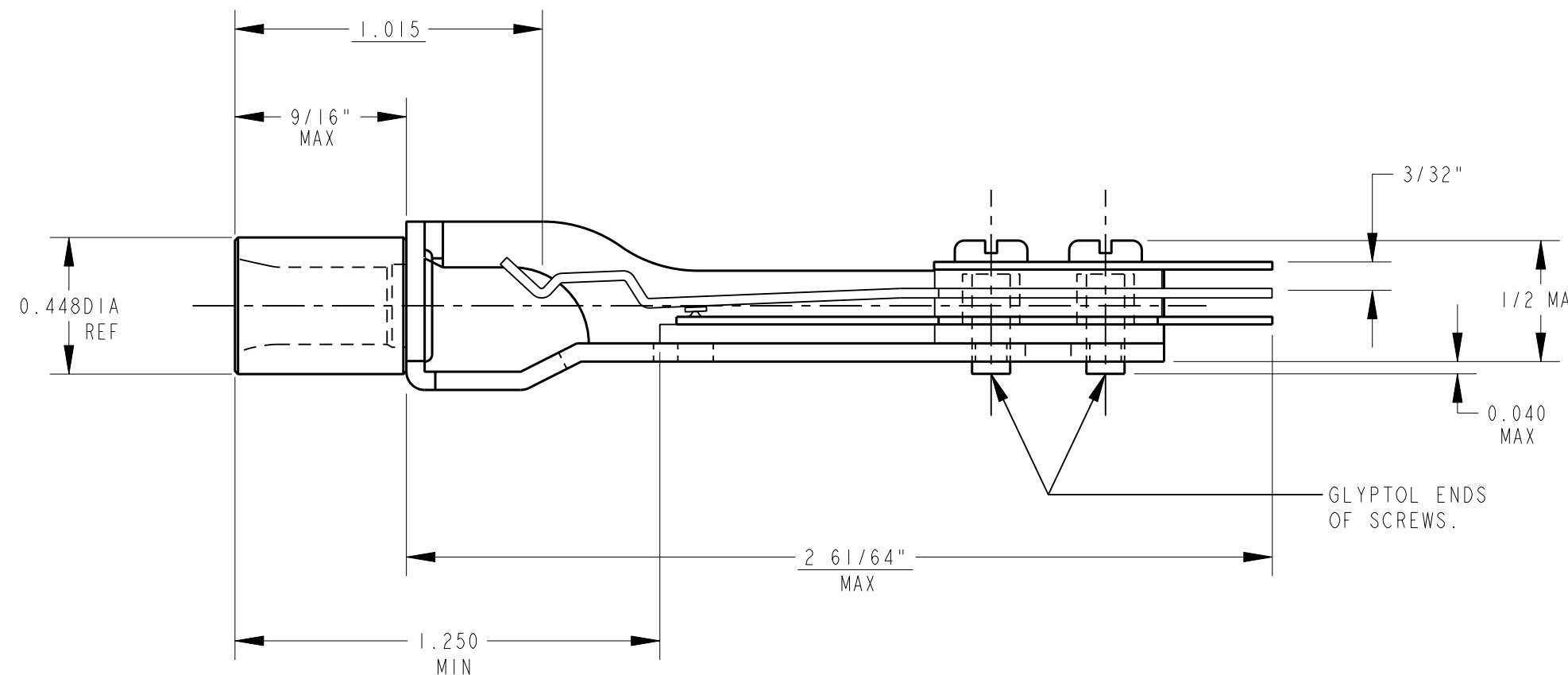
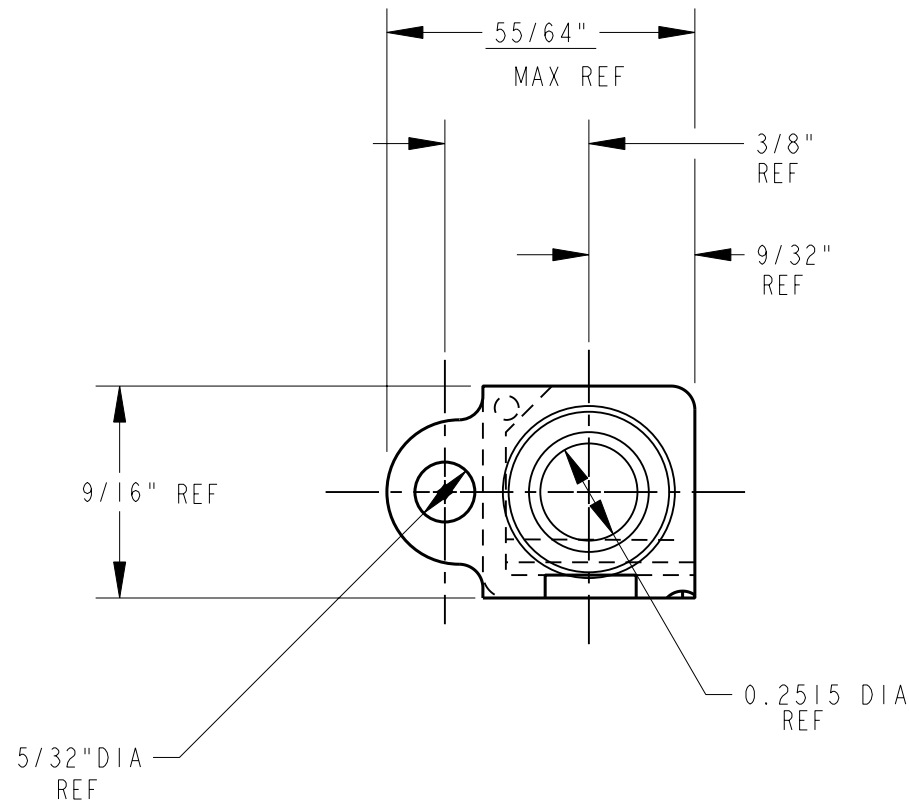
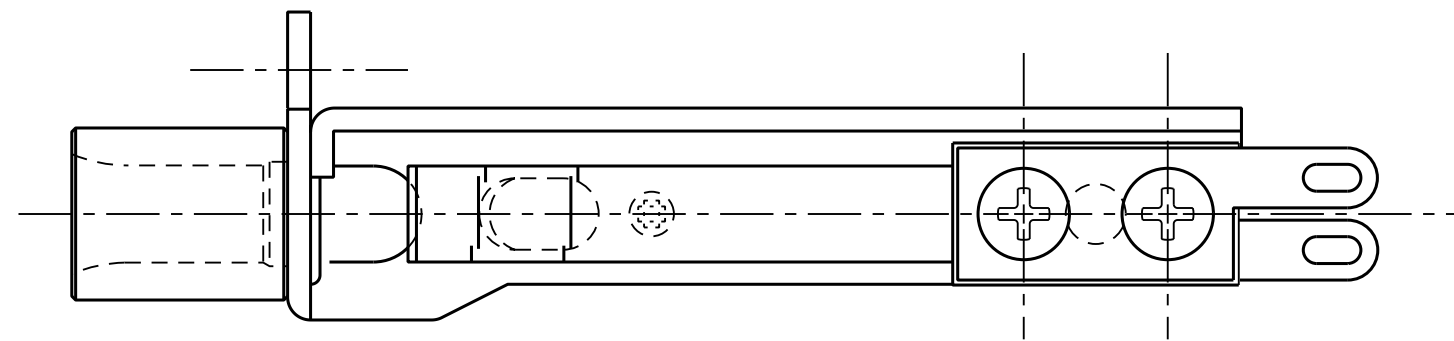
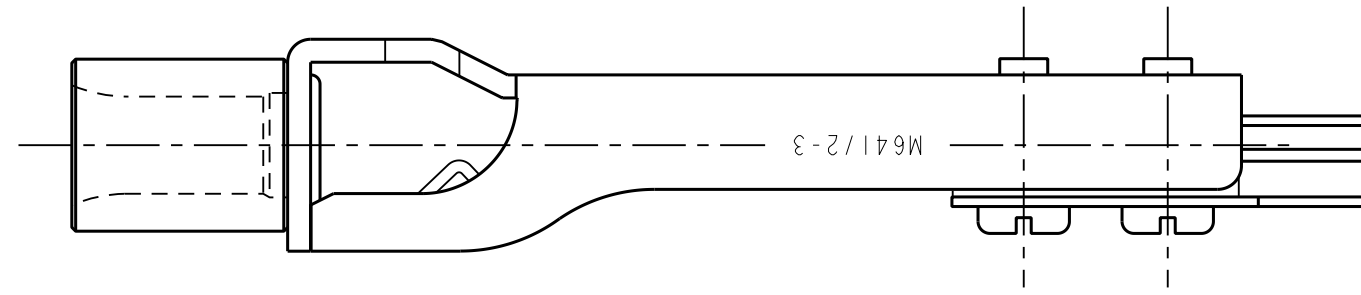
NOTE:

1. MATES WITH PJ-055 PLUG.

D 2. ALL DIM'S ARE REF.

SPECIFICATION:

1. FRAME: STEEL - IRIDESCENT IRIDITE FINISH
2. BUSHING: BRASS - NICKEL PLATED
3. SPRINGS: NICKEL SILVER - SPRING TEMPERED
4. CONTACTS: WELDED CROSS BAR PALLADIUM
5. SPACER/ LIFTER: THEROMPLASTIC
6. TERMINALS: HOT TIN DIPPED
7. SCREWS: STEEL - IRIDESCENT IRIDITE



CUSTOMER DRAWING

SHEET 1 OF 1

<p>★ STAR SYMBOL DENOTES CRITICAL DIMENSION. SEE S/C ENGINEERING STANDARD ES-0001.</p>				<p>THIS DRAWING DESCRIBES A DESIGN CONSIDERED PROPRIETARY IN NATURE, DEVELOPED AND MANUFACTURED BY SWITCHCRAFT INC. AND IS RELEASED ON A CONFIDENTIAL BASIS FOR IDENTIFICATION PURPOSE ONLY.</p>				
<p>UNLESS OTHERWISE SPECIFIED</p>				SIZE	WIDTH	MULT	LBS./M	TEMPER
<p>1. ALL DIMENSIONS IN INCHES                  TWO PLACE DECIMAL ±.01                  THREE PLACE DECIMAL ±.005                  FRACTIONAL DIMENSIONS ±1/64                  ANGLES ±1/2°                  ALL DIA'S CONCENTRIC WITHIN .005 T.I.R.</p>				FINISH		MATERIAL		
<p>2. REMOVE ALL BURRS</p>				SPEC. NO.		MIL-J-641		
<p>3. MAKE NO DIMENSIONAL ALLOWANCES FOR APPLIED FINISHES, I.E., PLATING, PAINTING, ETC.</p>				FIRST USED ON		SCALE		
<p>4. HOLES ON THE SAME CENTERLINE MUST BE ALIGNED WITHIN ±.002</p>				M641/2-3		1 = 0.5		
<p>DO NOT SCALE DRAWING</p>				DATE DRAWN	BY	CHK'D	APP'D	
<p>REVISIONS</p>				3-8-93	LD	JF 4-26-96	JF 4-26-96	
<p>ISSUE</p>				NAME				ISSUE
<p>CHANGE NO. DATE BY APP'D</p>				TELEPHONE JACK				D
<p>ECO #20558 4-19-96 DEA JF</p>				PART NO.				MT332A
<p>ECO #20306 11-7-95 DEA JF</p>				<p>CAD REDRAW WAS REV. A ECO #19540 5-13-93 RS JF</p>				