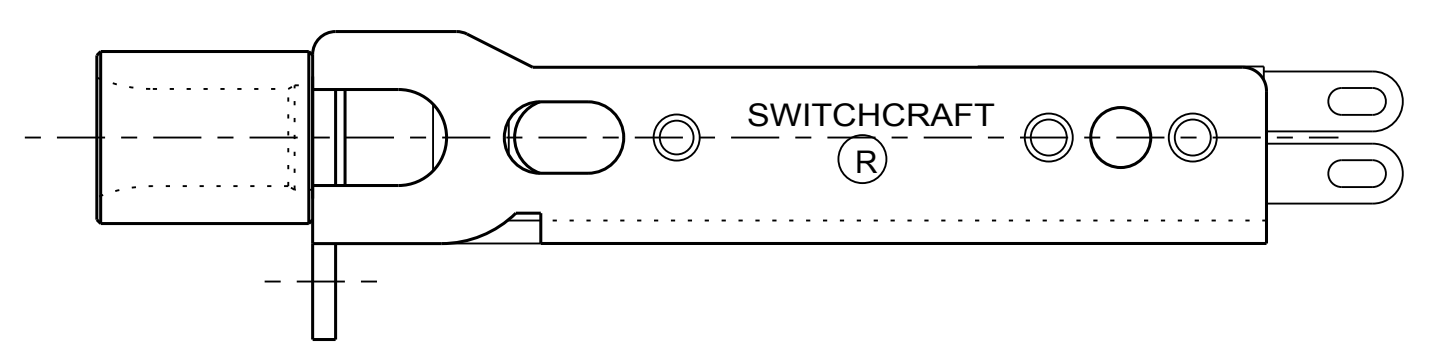
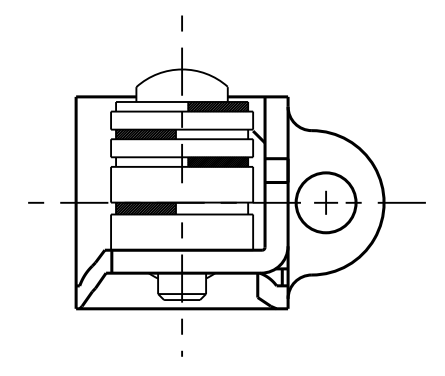
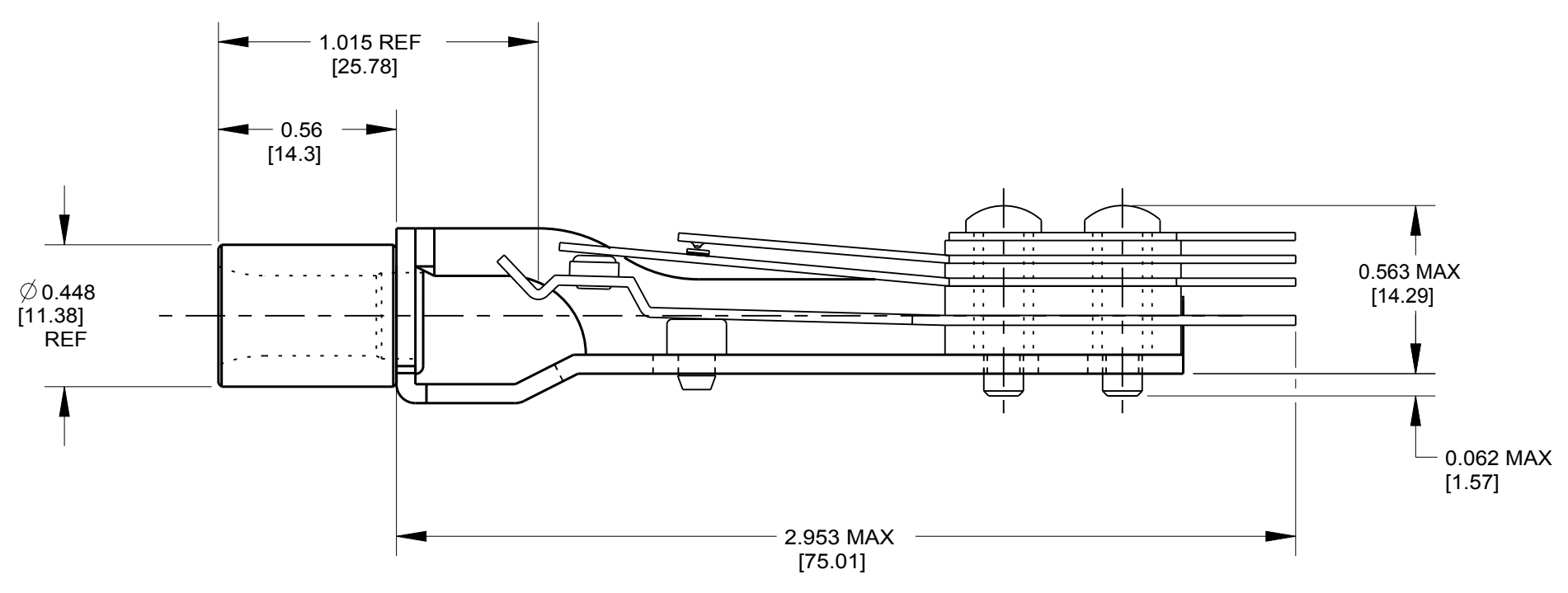
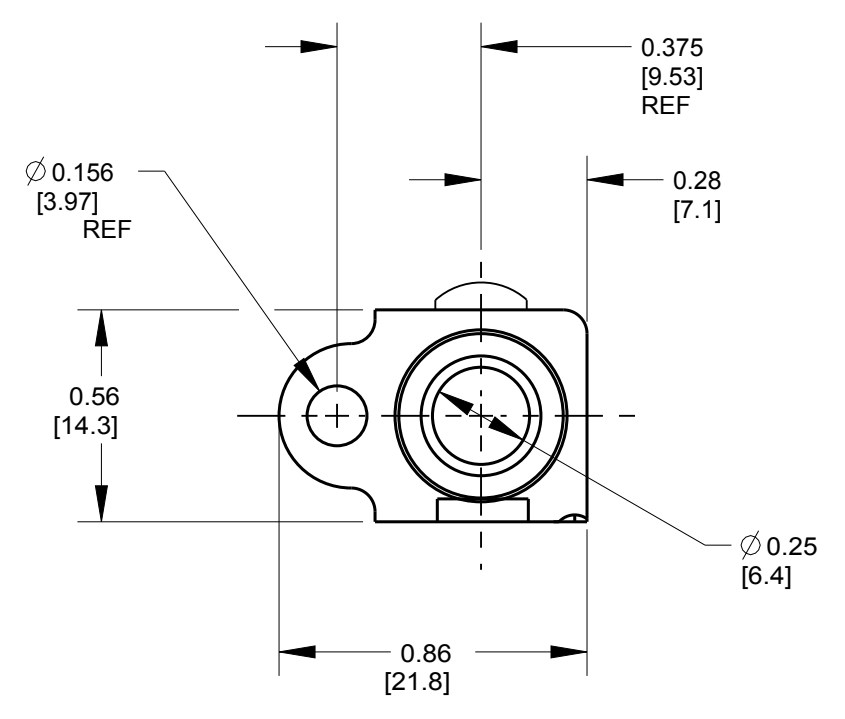
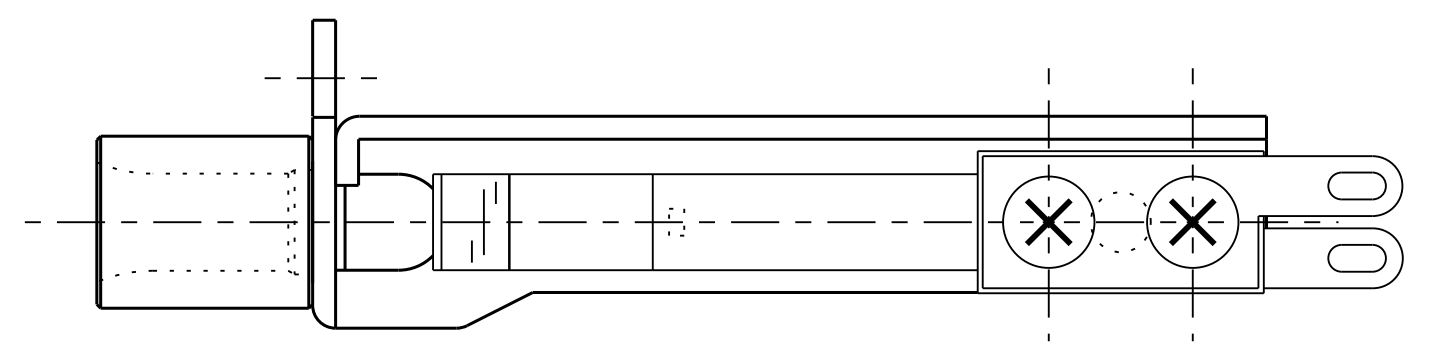
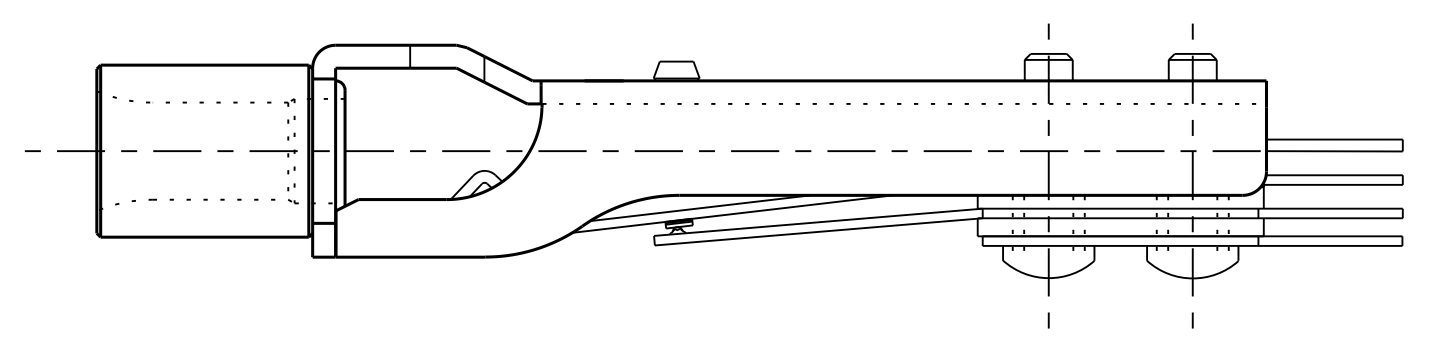


8 7 6 5 4 3 2 1



NOTES:

- MATERIALS:
 FRAME - STEEL, NICKEL PLATED
 BUSHING - BRASS, NICKEL PLATED
 SPRINGS - NICKEL SILVER - SPRING TEMPERED
 CONTACTS - WELDED CROSS BAR PALLADIUM
 SPACERS - PHENOLIC
 LIFTERS - NYLON
 TERMINALS - HOT TIN DIPPED, LEAD FREE
 SCREWS - STEEL, NICKEL PLATED
- MATES WITH M642/4-1 OR M642/4-2.
- THIS PRODUCT IS RoHS COMPLIANT.

CUSTOMER DRAWING

					★ STAR SYMBOL DENOTES CRITICAL DIMENSION		THIS DRAWING DESCRIBES A DESIGN CONSIDERED PROPRIETARY IN NATURE, DEVELOPED AND MANUFACTURED BY SWITCHCRAFT INC. AND IS RELEASED ON A CONFIDENTIAL BASIS FOR IDENTIFICATION PURPOSES ONLY.				
					UNLESS OTHERWISE SPECIFIED		SIZE	WIDTH	MULT	LBS/M	TEMPER
					1. ALL DIMENSIONS IN INCHES -TWO PLACE DECIMALS ±0.01 -THREE PLACE DECIMALS ±0.005 -ANGLES ±1° -ALL DIA. CONCENTRIC WITHIN 0.005 T.I.R.		FINISH		MATERIAL		
					2. FEATURES ON THE SAME CENTERLINE MUST BE ALIGNED WITHIN ±0.002		SPEC No.		SPEC No.		
					3. REMOVE ALL BURRS		FIRST USED ON		SCALE		
					DO NOT SCALE DRAWING		19-May-10		1 = 0.500		
					REVISIONS		DATE DRAWN	BY	CHKD	APVD	Switchcraft®
					TELEPHONE JACK		19-May-10	TO	TJK 5-6-10	TJK 5-6-10	
					Pro/Engineer CAD File		NAME		PART No.		REV
					C		TELEPHONE JACK		MT333X		B

8 7 6 5 4 3 2 1