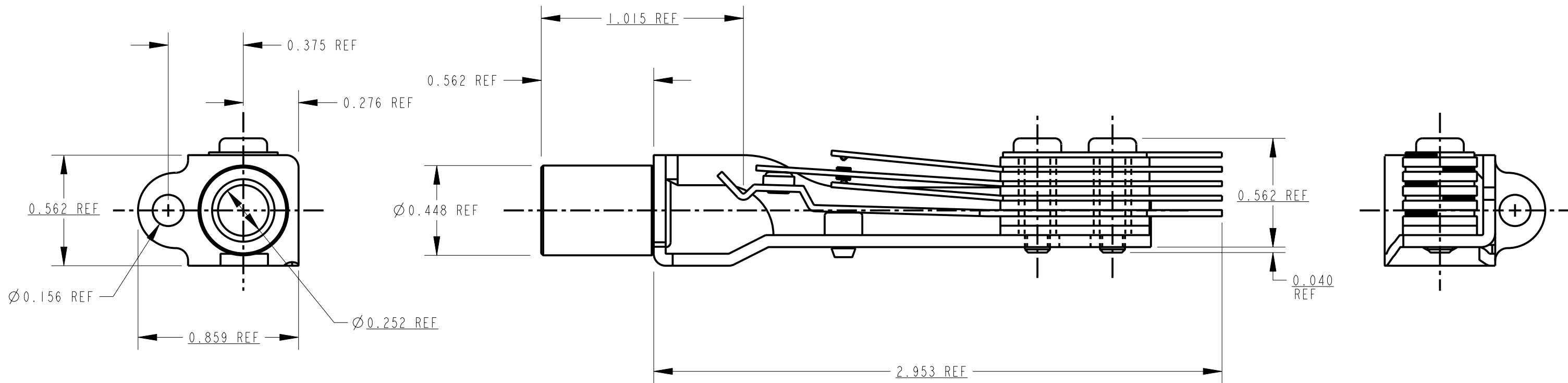
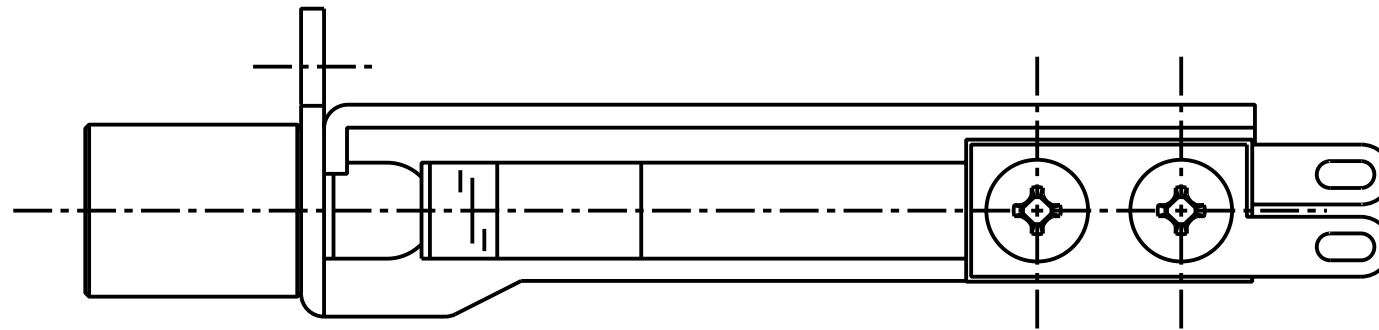


NOTES:

1. MATES WITH PJ-055 PLUG.



MATERIALS:

- FRAME - STEEL, IRIDESCENT IRIDITE FINISH
- BUSHING - BRASS, NICKEL PLATED
- SPRINGS - NICKEL SILVER, SPRING TEMPERED
- CONTACTS - WELDED CROSS BAR PALLADIUM
- SPACERS - PHENOLIC TYPE PBE-P
- LIFTER & SPRING SUPPORT - NYLON
- TERMINALS - HOT TIN DIPPED
- SCREWS - STEEL, IRIDESCENT IRIDITE FINISH

CUSTOMER DRAWING

REV	ECO NUMBER	DATE	BY	APVD
C	21394	2-23-99	SG	JF
B	18567	2-23-99	SG	JF
REVISIONS				

★ STAR SYMBOL DENOTES CRITICAL DIMENSION

UNLESS OTHERWISE SPECIFIED

1. ALL DIMENSIONS IN INCHES
 - TWO PLACE DECIMALS ±0.01
 - THREE PLACE DECIMALS ±0.005
 - ANGLES ±1°
 - ALL DIA. CONCENTRIC WITHIN 0.005 T.I.R.

2. FEATURES ON THE SAME CENTERLINE MUST BE ALIGNED WITHIN ±0.002

3. REMOVE ALL BURRS

DO NOT SCALE DRAWING

THIS DRAWING DESCRIBES A DESIGN CONSIDERED PROPRIETARY IN NATURE, DEVELOPED AND MANUFACTURED BY SWITCHCRAFT INC. AND IS RELEASED ON A CONFIDENTIAL BASIS FOR IDENTIFICATION PURPOSES ONLY.									
SIZE		WIDTH		MULT		LBS/M		TEMPER	
FINISH					MATERIAL				
SPEC No.					SPEC No.				
FIRST USED ON				SCALE					
				1 = 1					
DATE DRAWN	BY	CHKD	APVD						
23-Feb-99	SG	SG	JF						
		2-24-99	3-9-99						
NAME								PART No.	
TELEPHONE JACK								MT334F	
								REV	
								C	

