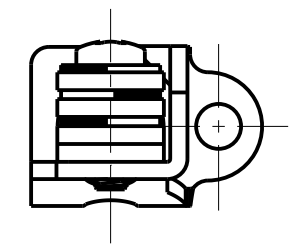
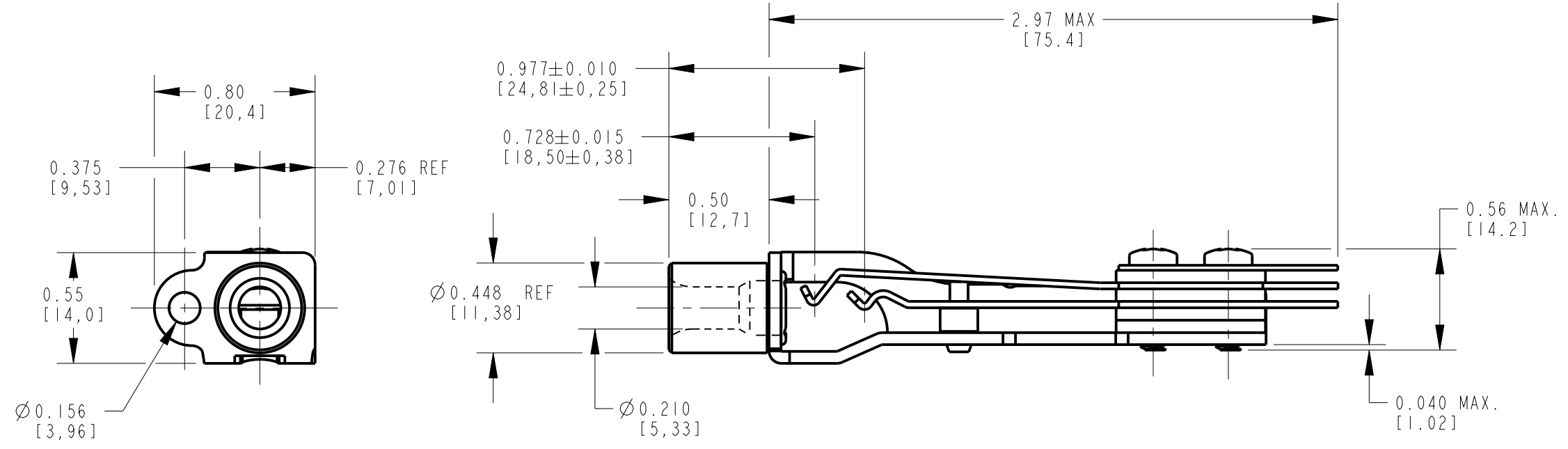


SCALE 1:1



CUSTOMER DRAWING

NOTES:

- MATERIALS:
 FRAME - STEEL, NICKEL PLATED.
 BUSHING - BRASS, NICKEL PLATED.
 SPRINGS - NICKEL SILVER, SPRING TEMPERED.
 SPACERS - PHENOLIC.
 LIFTER - NYLON.
 GROUND TERMINAL - STEEL, TIN PLATED.
 TERMINALS - HOT TIN DIPPED.
 SCREWS - STEEL, NICKEL PLATED.
- THIS PRODUCT IS RoHS COMPLIANT.

REV	ECO NUMBER	DATE	BY	APVD
A	28486	03-24-22	PC	TJK
REVISIONS				

★ STAR SYMBOL DENOTES CRITICAL DIMENSION

UNLESS OTHERWISE SPECIFIED

- ALL DIMENSIONS IN INCHES
 - TWO PLACE DECIMALS ±0.01
 - THREE PLACE DECIMALS ±0.005
 - ANGLES ±1°
 - ALL DIA. CONCENTRIC WITHIN 0.005 T.I.R.
- FEATURES ON THE SAME CENTERLINE MUST BE ALIGNED WITHIN ±0.002
- REMOVE ALL BURRS

DO NOT SCALE DRAWING

THIS DRAWING DESCRIBES A DESIGN CONSIDERED PROPRIETARY IN NATURE, DEVELOPED AND MANUFACTURED BY SWITCHCRAFT INC. AND IS RELEASED ON A CONFIDENTIAL BASIS FOR IDENTIFICATION PURPOSES ONLY.									
SIZE		WIDTH		MULT		LBS/M		TEMPER	
FINISH					MATERIAL				
SPEC No.					SPEC No.				
FIRST USED ON				SCALE					
				3:2					
DATE DRAWN	BY	CHKD	APVD						
17-May-22	PC	PC	TJK						
			05-17-22						
NAME									
TELEPHONE JACK, RoHS								PART No.	
								MT342BX	
								REV	
								A	