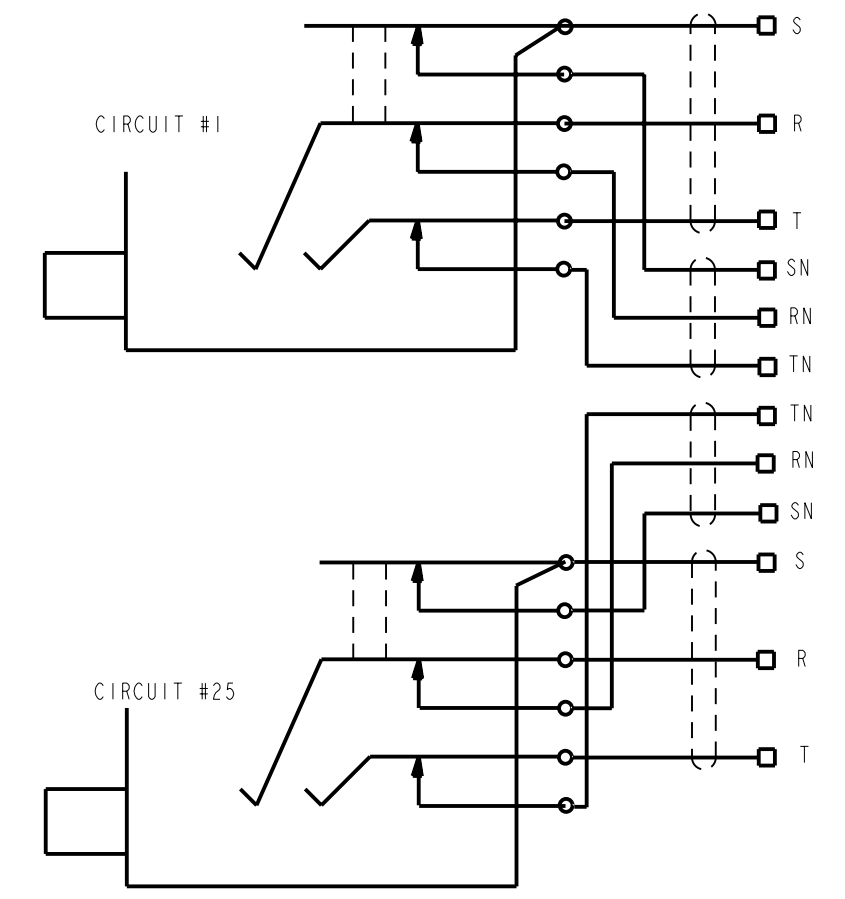


FULL SLEEVE NORMALS OUT



CUSTOMER DRAWING

PRODUCT USES:
 1) FORTY-EIGHT JACKS:
 A) FRAME AND ASSEMBLY SCREWS ARE NICKEL PLATED.
 B) SWITCHING CONTACTS ARE GOLD PLATED.

THIS PART REMOVED FOR CLARITY

REV	ECO NUMBER	DATE	BY	APVD
E	24497	6-23-03	JL	EB
D	24104	6-23-03	JL	EB
C	23588	1-17-01	JL	JF
B	ECO #23045	11-5-99	MM	DK
A	RELEASE TO PROD. ECO #22922	9-2-99	MM	DK

★ STAR SYMBOL DENOTES CRITICAL DIMENSION
 UNLESS OTHERWISE SPECIFIED
 1. ALL DIMENSIONS IN INCHES
 - TWO PLACE DECIMALS ±0.01
 - THREE PLACE DECIMALS ±0.005
 - ANGLES ±1°
 - ALL DIA. CONCENTRIC WITHIN 0.005 T.I.R.
 2. FEATURES ON THE SAME CENTERLINE MUST BE ALIGNED WITHIN ±0.002
 3. REMOVE ALL BURRS
 DO NOT SCALE DRAWING

THIS DRAWING DESCRIBES A DESIGN CONSIDERED PROPRIETARY IN NATURE, DEVELOPED AND MANUFACTURED BY SWITCHCRAFT INC. AND IS RELEASED ON A CONFIDENTIAL BASIS FOR IDENTIFICATION PURPOSES ONLY.				
SIZE	WIDTH	MULT	LBS/M	TEMPER
FINISH		MATERIAL SPEC No.		
SPEC No.		SCALE 1:2		
FIRST USED ON		DATE DRAWN		
2-SEP-99		BY MM		
APVD DK		CHKD DK		
9-2-99		9-2-99		
NAME PATCH PANEL				REV E
PART No. MTP48K3SNO				

Switchcraft®