

8 7 6 5 4 3 2 1

F

E

D

C

B

A

F

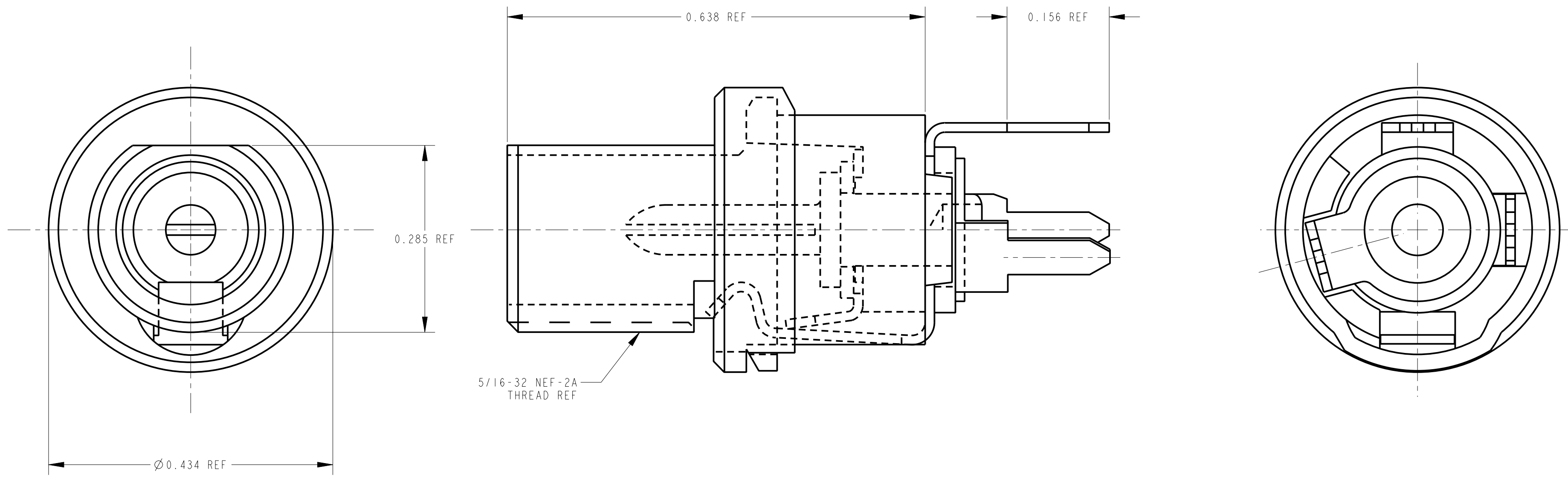
E

D

C

B

A

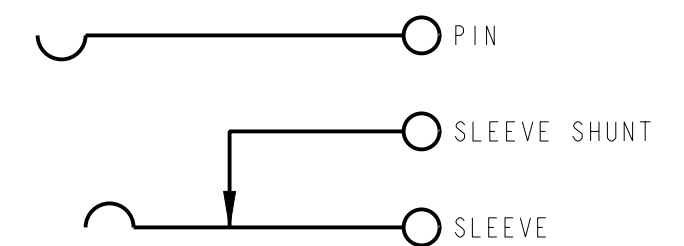


MATERIAL :

MOUNTING BUSHING : COPPER ALLOY, NICKEL PLATED  
 HOUSING: THERMOPLASTIC, BLACK  
 PIN, SPRING AND TERMINALS: COPPER ALLOY, SILVER PLATED  
 INSULATORS: PHENOLIC  
 HARDWARE: HEX NUT: COPPER ALLOY, NICKEL PLATED  
 FLAT WASHER: STEEL, NICKEL PLATED  
 (NOT SHOWN)

NOTE:

1. HARDWARE NOT SHOWN.



CIRCUIT DIAGRAM

CUSTOMER DRAWING

					★ STAR SYMBOL DENOTES CRITICAL DIMENSION		THIS DRAWING DESCRIBES A DESIGN CONSIDERED PROPRIETARY IN NATURE, DEVELOPED AND MANUFACTURED BY SWITCHCRAFT INC. AND IS RELEASED ON A CONFIDENTIAL BASIS FOR IDENTIFICATION PURPOSES ONLY.				
					UNLESS OTHERWISE SPECIFIED		SIZE	WIDTH	MULT	LBS/M	TEMPER
					1. ALL DIMENSIONS IN INCHES - TWO PLACE DECIMALS $\pm 0.01$ - THREE PLACE DECIMALS $\pm 0.005$ - ANGLES $\pm 1^\circ$ - ALL DIA. CONCENTRIC WITHIN 0.005 T.I.R.		FINISH		MATERIAL		
					2. FEATURES ON THE SAME CENTERLINE MUST BE ALIGNED WITHIN $\pm 0.002$		SPEC No.		SPEC No.		
					3. REMOVE ALL BURRS		FIRST USED ON		SCALE		
					DO NOT SCALE DRAWING		DATE DRAWN	BY	CHKD	APVD	<b>Switchcraft®</b>
					REVISIONS		10-7-93	ES	ES	TAO	
							NAME		POWER JAX		SHEET   OF
											PART No. PCL722A
											REV G

8 7 6 5 4 3 2 1