

FIG A

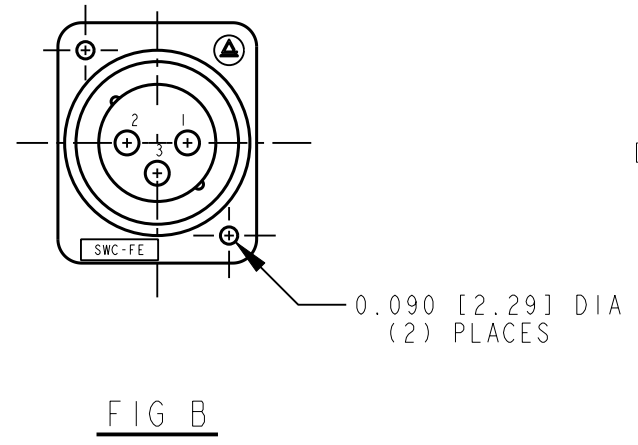


FIG B

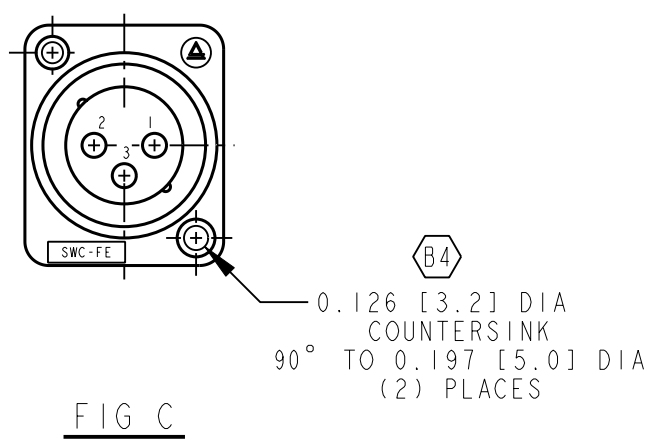
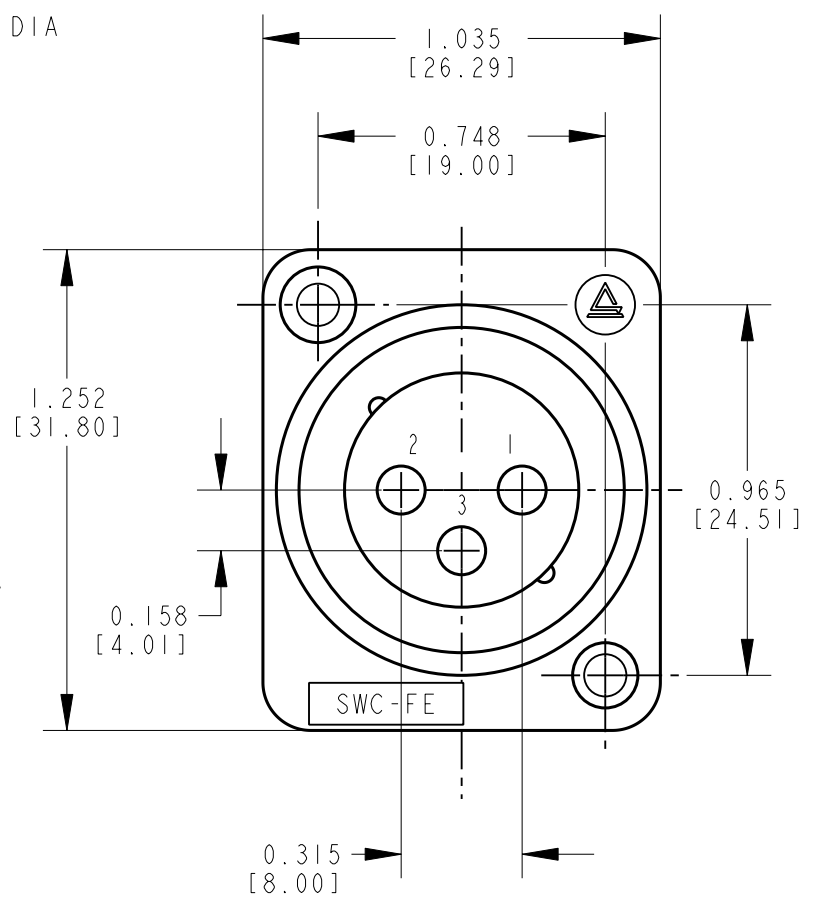
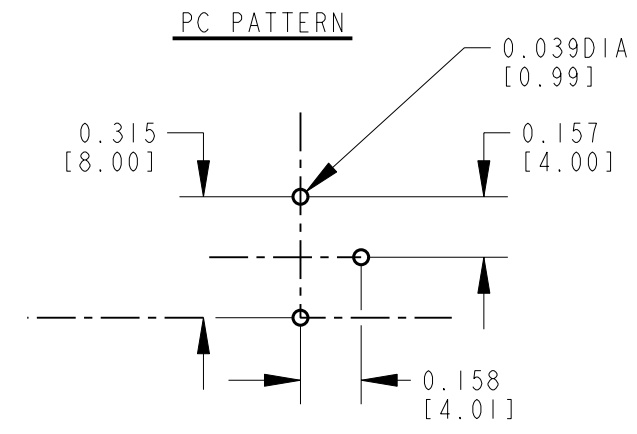


FIG C

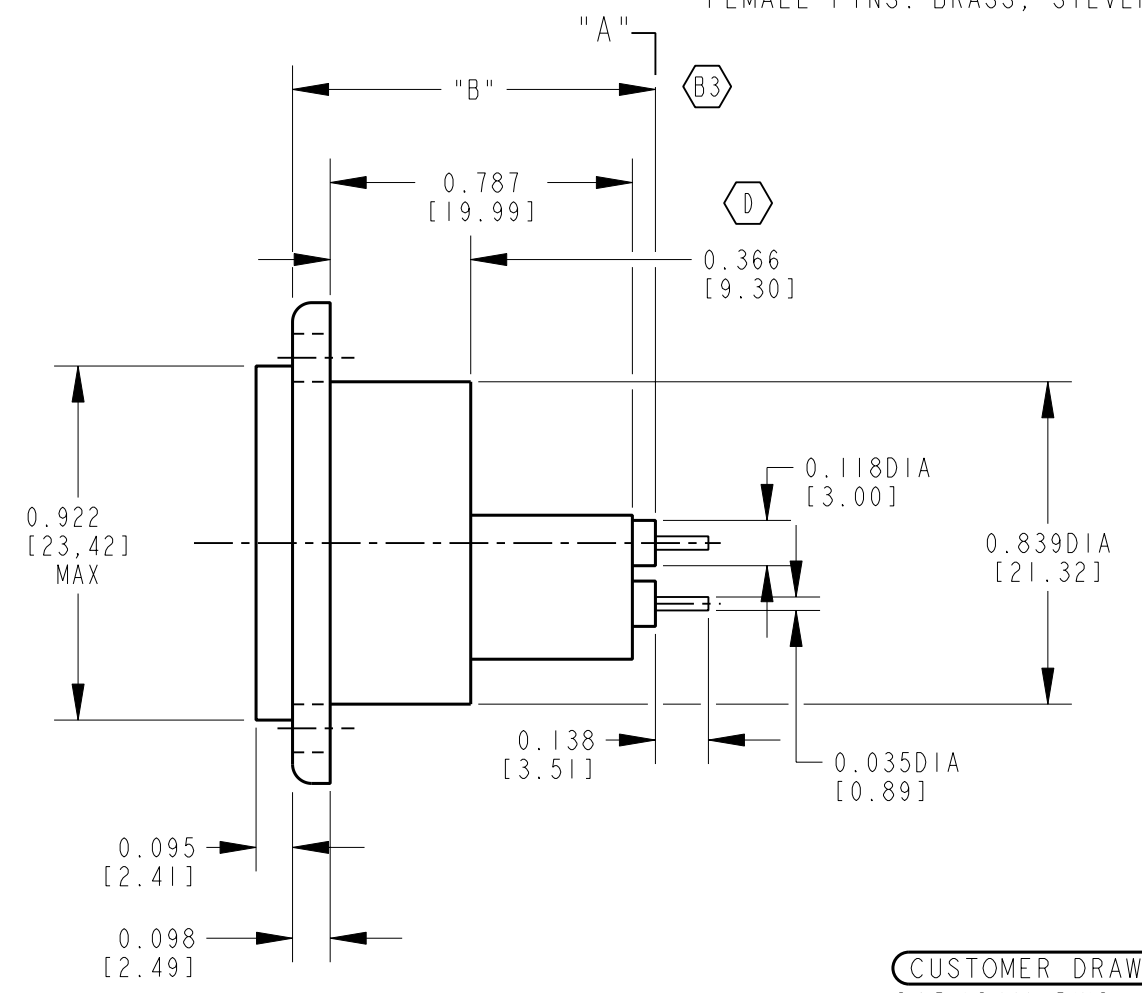
SCALE: 1=1



DIMENSIONS TYP FOR ALL FIGURES

CHART				
PART NO.	DESCRIPTION	FIGURE	DIMENSION FROM MOUNTING SURFACE TO SURFACE "A"	"B"
PD3FS1	FRONT MOUNT	FIG A	.847	.945
PD3FS2	REAR MOUNT	FIG B	.847	.945
PD3FS3	FRONT MOUNT	FIG C	.847	.945
PD3FS1S	FRONT MOUNT	FIG A	.879	.977
PD3FS2S	REAR MOUNT	FIG B	.879	.977

**MATERIALS:**  
HOUSING: NYLON TYPE 66  
FEMALE PINS: BRASS, SILVER PLATED



CUSTOMER DRAWING  
CAD/CAM DWG. NO.  
s.pd3fs\_cd  
SHEET 1 OF 1

ISSUE	CHANGE NO.	DATE	BY	APP'D
D	ECO #19282	2-16-95	RC	RB
C	ECO#17911	10-27-92	LR	GHJ
B	ECO#17107	9-26-91	LR	EAF
A	RELEASE TO PROD.	2-25-91	LR	GHJ

★ STAR SYMBOL DENOTES CRITICAL DIMENSION, SEE S/C ENGINEERING STANDARD ES-0001

UNLESS OTHERWISE SPECIFIED

1. ALL DIMENSIONS IN INCHES  
2. DECIMAL DIMENSIONS ±.002  
3. FRACTIONAL DIMENSIONS ±.0004  
4. ANGLES ±1/2°  
5. ALL DIA'S CONCENTRIC WITHIN .005 T.I.R.  
6. REMOVE ALL BURRS  
7. MAKE NO DIMENSIONAL ALLOWANCES FOR APPLIED FINISHES, I.E., PLATING, PAINTING, ETC.  
8. HOLES ON THE SAME CENTERLINE MUST BE ALIGNED WITHIN ±.002

DO NOT SCALE DRAWING

FINISH		MATERIAL	
SPEC. NO.		SPEC. NO.	
FIRST USED ON		SCALE	
		1 = .500	
DATE DRAWN	BY	CHK'D	APP'D
2-25-91	LR	THS 3-26-91	GHJ 3-26-91
NAME			PART NO.
FEMALE 3 CONTACTS STRAIGHT PC MOUNT QG CONNECTOR			PD3FS SERIES
			ISSUE
			D

