

NOTES:

1. ALL DIMENSIONS ARE REFERENCE.

2. MATERIALS:

B HOUSING: ABS OR PBT, UL-94HB, BLACK

B COLOR INSERT: POM OR PBT, UL-94HB

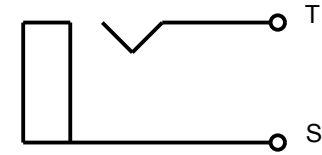
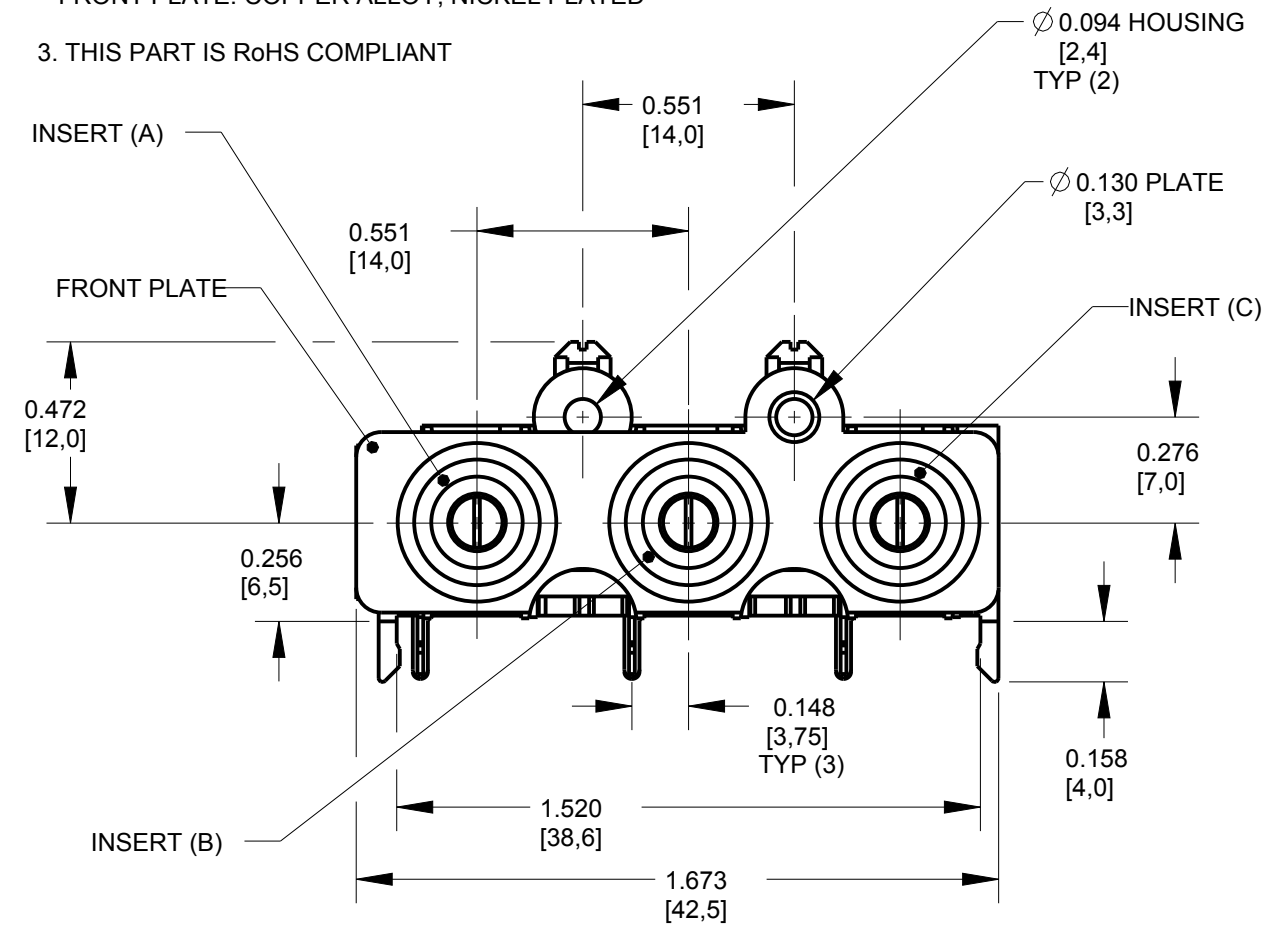
B INSULATOR: POM OR PBT, UL-94HB

SHELL & SLEEVE TERMINALS: COPPER ALLOY, NICKEL OR GOLD PLATED

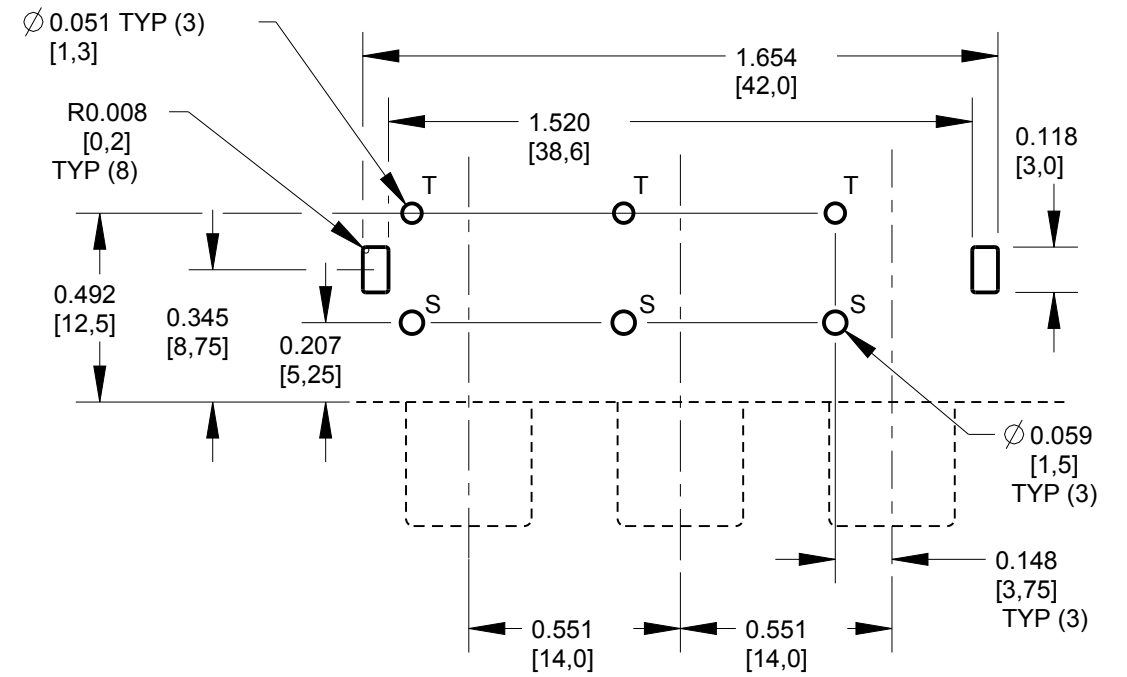
TIP TERMINALS: COPPER ALLOY, TIN PLATED

FRONT PLATE: COPPER ALLOY, NICKEL PLATED

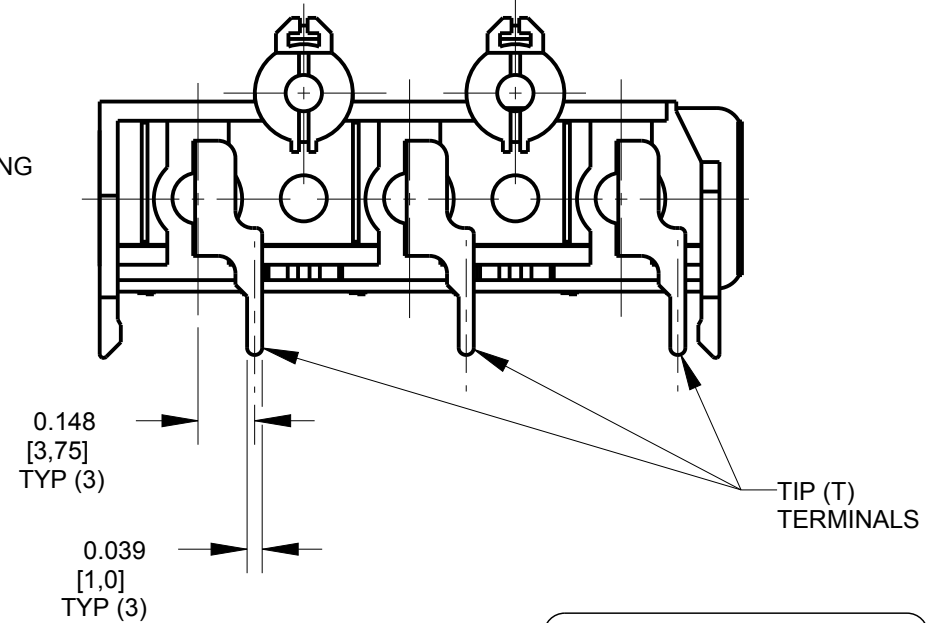
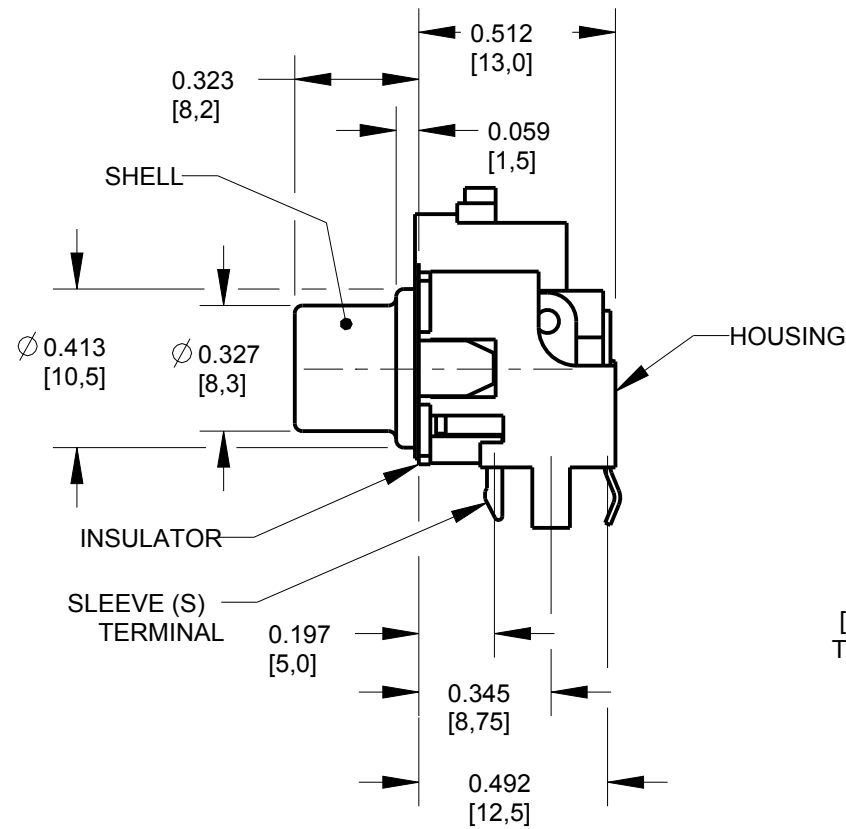
3. THIS PART IS RoHS COMPLIANT



SCHEMATIC
TYP (3) JACKS



P.C. BOARD LAYOUT
COMPONENT SIDE



CUSTOMER DRAWING

PART NUMBER	INSERT (A) COLOR	INSERT (B) COLOR	INSERT (C) COLOR	SHELL AND SLEEVE TERMINAL FINISH
PJRS3X1S01X	RED	WHITE	YELLOW	NICKEL PLATED
PJRS3X1S01AUX	RED	WHITE	YELLOW	GOLD PLATED
PJRS3X1S02X	GREEN	BLUE	RED	NICKEL PLATED
PJRS3X1S02AUX	GREEN	BLUE	RED	GOLD PLATED
PJRS3X1S03X	YELLOW	YELLOW	YELLOW	NICKEL PLATED

REV	ECO NUMBER	DATE	BY	APVD
B	27929	08-17-17	PC	TJK
A	25181	1-12-06	JL	TJK

REVISIONS

★ STAR SYMBOL DENOTES CRITICAL DIMENSION

UNLESS OTHERWISE SPECIFIED

- 1. ALL DIMENSIONS IN INCHES
-TWO PLACE DECIMALS ±0.01
-THREE PLACE DECIMALS ±0.005
-ANGLES ±1°
-ALL DIA. CONCENTRIC WITHIN 0.005 T.I.R.

- 2. FEATURES ON THE SAME CENTERLINE MUST BE ALIGNED WITHIN ±0.002

- 3. REMOVE ALL BURRS

DO NOT SCALE DRAWING

THIS DRAWING DESCRIBES A DESIGN CONSIDERED PROPRIETARY IN NATURE, DEVELOPED AND MANUFACTURED BY SWITCHCRAFT INC. AND IS RELEASED ON A CONFIDENTIAL BASIS FOR IDENTIFICATION PURPOSES ONLY.

SIZE	WIDTH	MULT	LBS/M	TEMPER
FINISH		MATERIAL		
SPEC No.		SPEC No.		
FIRST USED ON		SCALE		
		2:1		
DATE DRAWN	BY	CHKD	APVD	
12-Jan-06	JL	TJK	TJK	
		1-12-06	1-12-06	
NAME				PART No.
PHONO JACK, RIGHT ANGLE, 3 POS. SCREW MOUNT, SHIELDED, RoHS				PJRS3X1S__X SERIES
				REV
				B

Switchcraft®

SHEET 1 OF 1