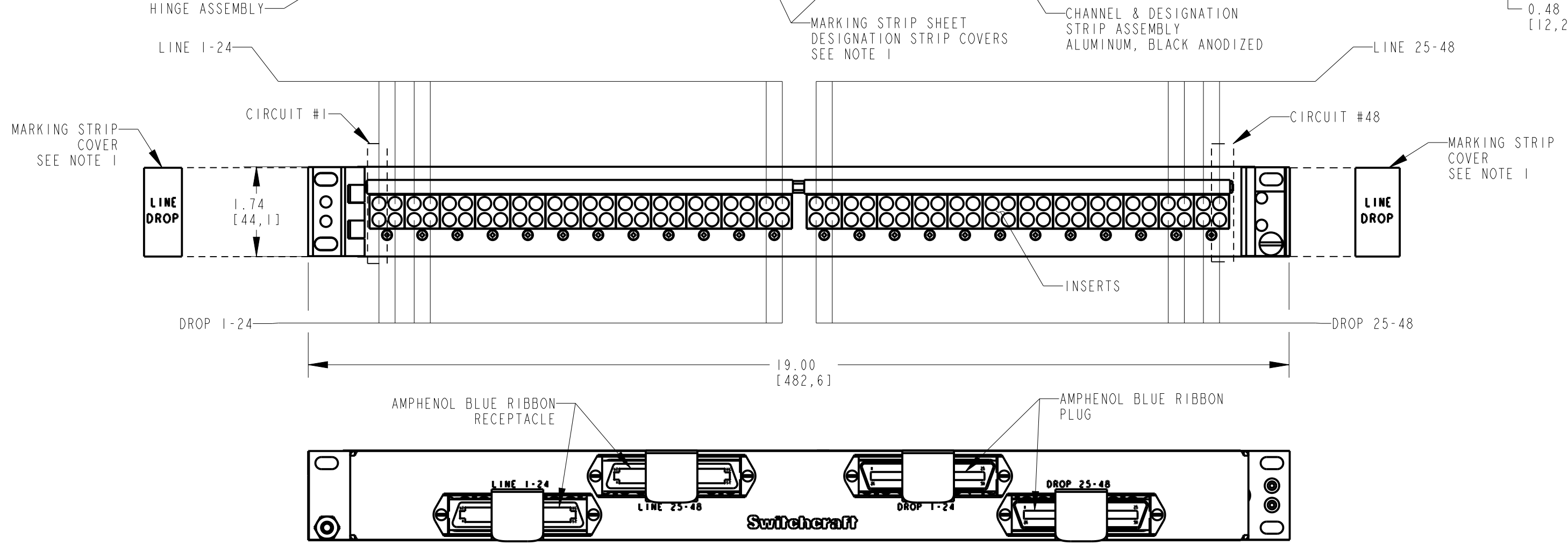
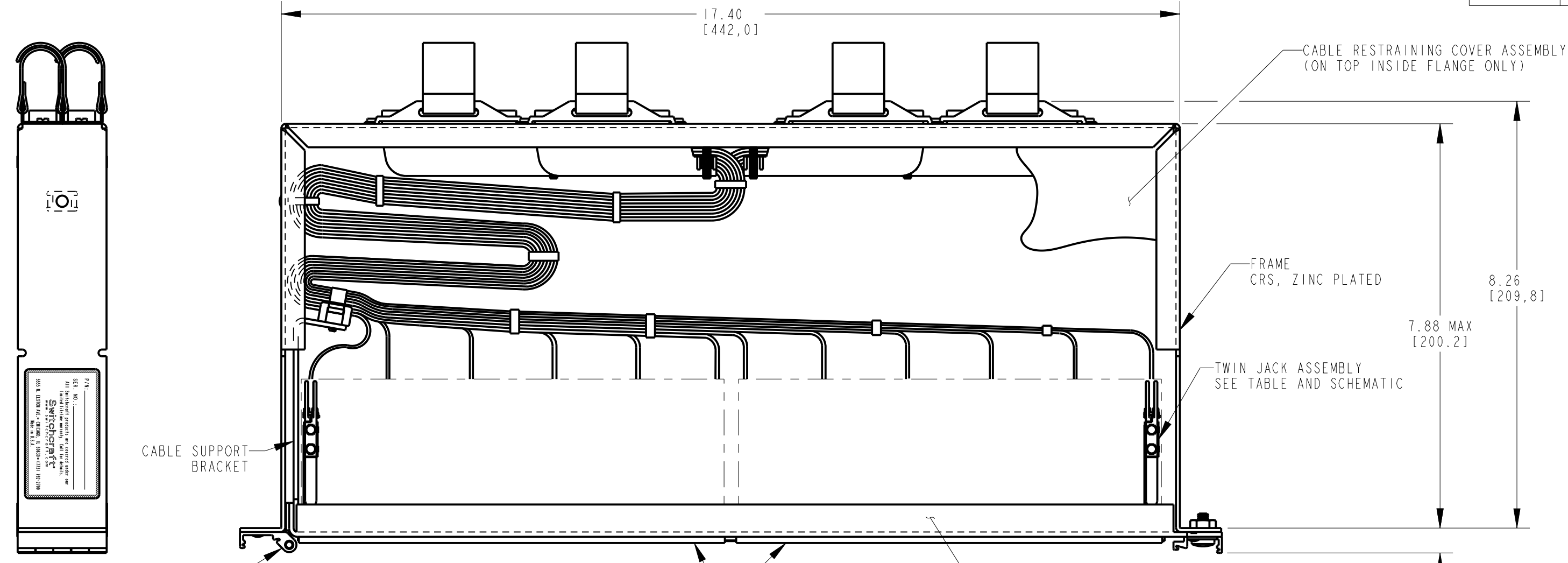
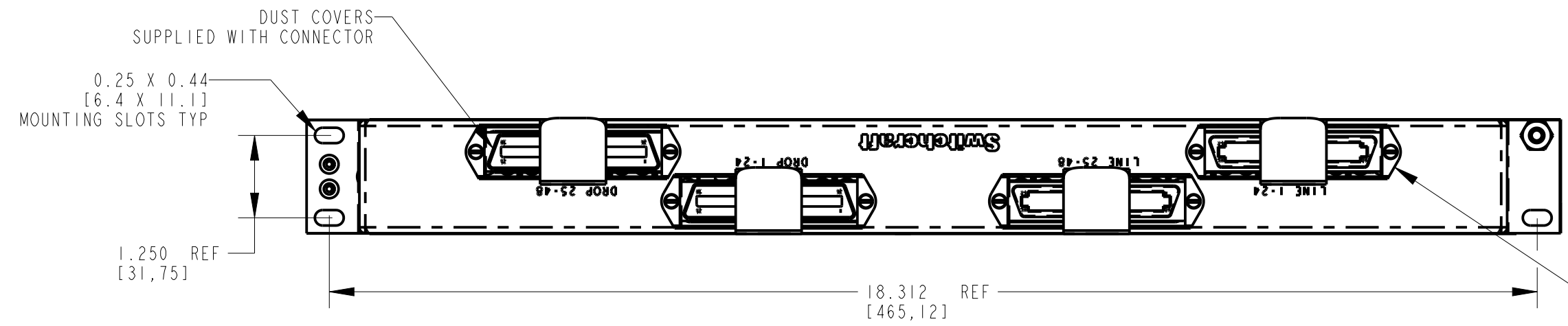
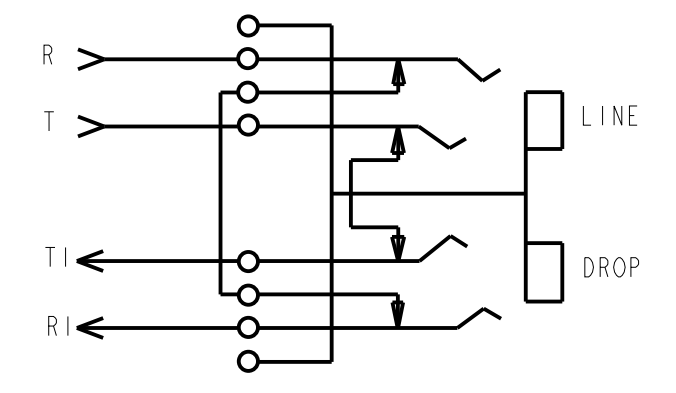


CONNECTION TABLE							
TO PLUG CONNECTOR		PIN		TO RECEPTACLE CONNECTOR		PIN	
CIRCUIT 1	DROP	TI	26	CIRCUIT 1	LINE	T	26
		RI	1			R	1
REPEATED				REPEATED			
CIRCUIT 24	DROP	TI	49	CIRCUIT 24	LINE	T	49
		RI	24			R	24
CIRCUIT 25	DROP	TI	26	CIRCUIT 25	LINE	T	26
		RI	1			R	1
REPEATED				REPEATED			
CIRCUIT 48	DROP	TI	49	CIRCUIT 48	LINE	T	49
		RI	24			R	24



REAR VIEW - ROTATED

CUSTOMER DRAWING

NOTES:
1. MARKING STRIPS AND COVERS SHIPPED UNASSEMBLED.

REV	ECO NUMBER	DATE	BY	APVD
H	28576	02-21-23	PC	TJK
G	27999	02-08-18	PC	TJK
F	23554 REDRAWN ON CAD	11-19-12	TO	TJK

★ STAR SYMBOL DENOTES CRITICAL DIMENSION
UNLESS OTHERWISE SPECIFIED
1. ALL DIMENSIONS IN INCHES
- TWO PLACE DECIMALS ±0.01
- THREE PLACE DECIMALS ±0.005
- ANGLES ±1°
- ALL DIA. CONCENTRIC WITHIN 0.005 T.I.R.
2. FEATURES ON THE SAME CENTERLINE MUST BE ALIGNED WITHIN ±0.002
3. REMOVE ALL BURRS
DO NOT SCALE DRAWING

THIS DRAWING DESCRIBES A DESIGN CONSIDERED PROPRIETARY IN NATURE, DEVELOPED AND MANUFACTURED BY SWITCHCRAFT INC. AND IS RELEASED ON A CONFIDENTIAL BASIS FOR IDENTIFICATION PURPOSES ONLY.

SIZE	WIDTH	MULT	LBS/M	TEMPER
FINISH		MATERIAL SPEC No.		
SPEC No.		SCALE 1:2		
FIRST USED ON		DATE DRAWN BY CHKD APVD		
01-30-01 RJ		01-30-01 JF 01-30-01 JF		
NAME 2 WIRE HINGED CONNECTORIZED JACKFIELD				REV H
PART No. TT2W48VCF1				

Switchcraft®
SHEET 1 OF 1