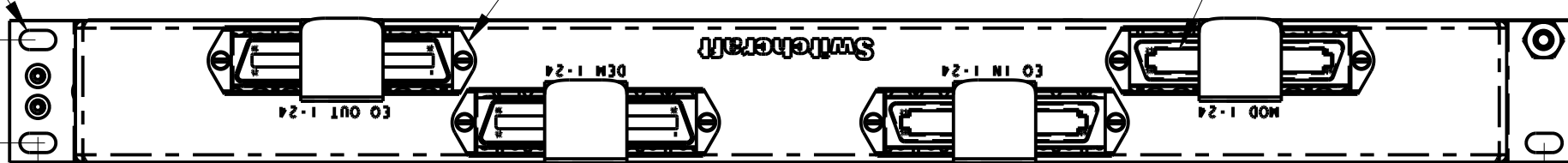


0.25 x 0.44  
[6.4 x 11.1]  
MOUNTING SLOTS TYP

1.250  
[31,75]

CONNECTOR HOLD DOWN

DUST COVER  
SUPPLIED WITH CONNECTOR



18.312 REF  
[465,12]

17.40  
[442,0]

FRAME  
CRS, ZINC PLATED WITH  
IRIDESCENT FINISH

CABLE RESTRAINING COVER  
ON BOTTOM ONLY

7.88 MAX  
[200,2]

8.74  
[222,0]

0.48  
[12,2]

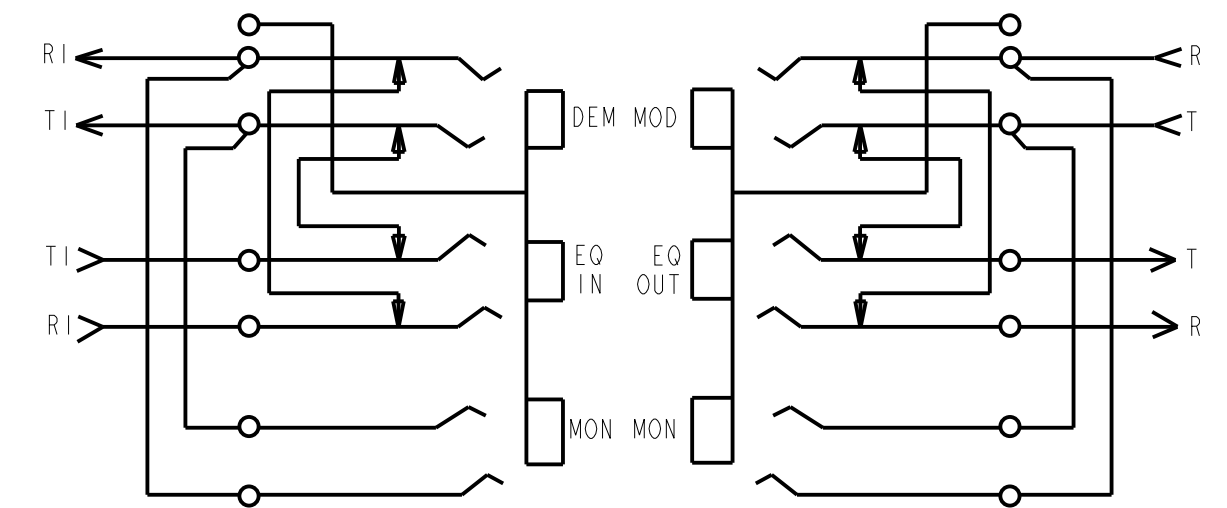
CABLE SUPPORT  
BRACKET

HINGE ASSEMBLY

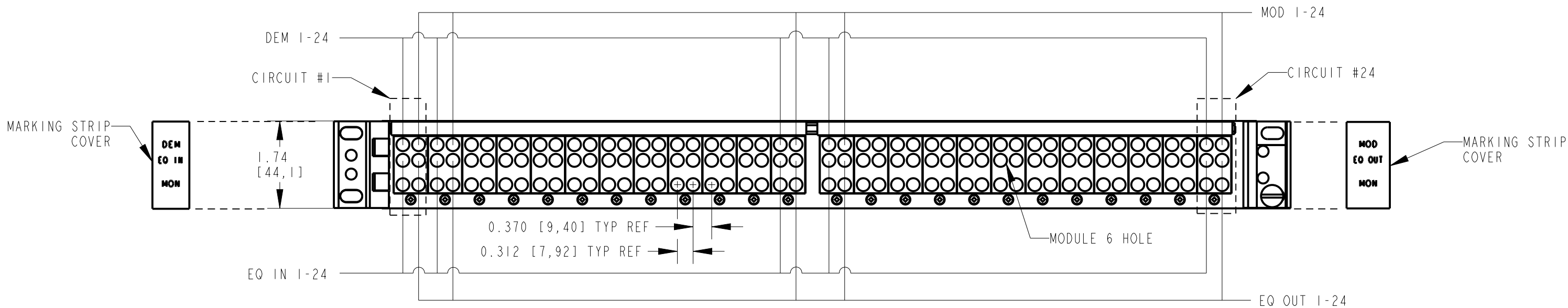
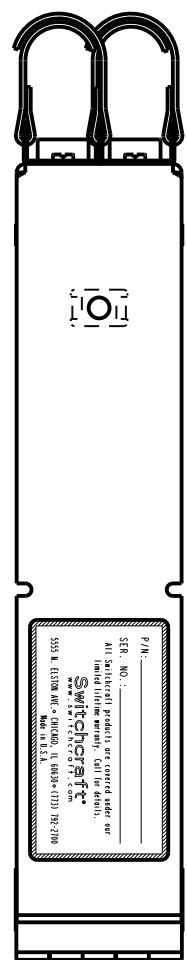
CHANNEL & DESIGNATION STRIP  
ASSEMBLY  
ALUMINUM, BLACK FINISH

TRI JACK  
ASSEMBLY (48)

CONNECTION TABLE							
TO PLUG CONNECTOR		PIN		TO RECEPTACLE CONNECTOR		PIN	
CIRCUIT 1	DEM	TI	26	CIRCUIT 1	MOD	T	26
		RI	1			R	1
REPEATED				REPEATED			
CIRCUIT 24	DEM	TI	49	CIRCUIT 24	MOD	T	49
		RI	24			R	24
REPEATED				REPEATED			
CIRCUIT 1	EQ OUT	T	26	CIRCUIT 1	EQ IN	TI	26
		R	1			RI	1
REPEATED				REPEATED			
CIRCUIT 24	EQ OUT	T	49	CIRCUIT 24	EQ IN	TI	49
		R	24			RI	24



SCHEMATIC  
4 WIRE WITH MONITOR  
TYPICAL 24 CIRCUITS



DEM 1-24

CIRCUIT #1

1.74  
[44,1]

0.370 [9,40] TYP REF  
0.312 [7,92] TYP REF

MODULE 6 HOLE

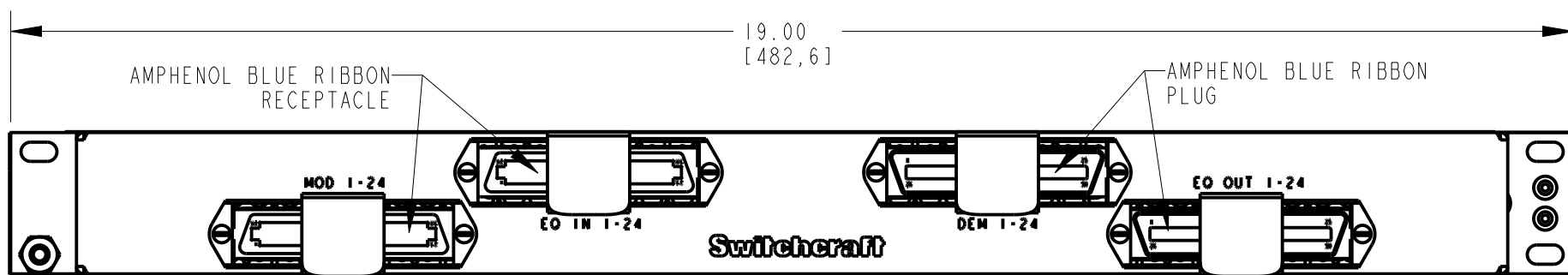
MOD 1-24

CIRCUIT #24

MARKING STRIP  
COVER

EQ IN 1-24

EQ OUT 1-24



AMPHENOL BLUE RIBBON  
RECEPTACLE

19.00  
[482,6]

AMPHENOL BLUE RIBBON  
PLUG

MOD 1-24

EO IN 1-24

Switchcraft

DEM 1-24

EO OUT 1-24

REAR VIEW - ROTATED

CUSTOMER DRAWING

NOTES:  
1. MARKING STRIPS AND COVERS SHIPPED UNASSEMBLED.

REV	ECO NUMBER	DATE	BY	APVD
J	28576	02-21-23	PC	TJK
H	27999	02-08-18	PC	TJK
G	23554	11-19-12	TO	TJK
REVISIONS				

★ STAR SYMBOL DENOTES CRITICAL DIMENSION  
UNLESS OTHERWISE SPECIFIED  
1. ALL DIMENSIONS IN INCHES  
- TWO PLACE DECIMALS ±0.01  
- THREE PLACE DECIMALS ±0.005  
- ANGLES ±1°  
- ALL DIA. CONCENTRIC WITHIN 0.005 T.I.R.  
2. FEATURES ON THE SAME CENTERLINE  
MUST BE ALIGNED WITHIN ±0.002  
3. REMOVE ALL BURRS  
DO NOT SCALE DRAWING

THIS DRAWING DESCRIBES A DESIGN CONSIDERED PROPRIETARY IN NATURE, DEVELOPED AND MANUFACTURED BY SWITCHCRAFT INC. AND IS RELEASED ON A CONFIDENTIAL BASIS FOR IDENTIFICATION PURPOSES ONLY.				
SIZE	WIDTH	MULT	LBS/M	TEMPER
FINISH		MATERIAL		
SPEC No.		SPEC No.		
FIRST USED ON		SCALE		
		1:2		
DATE DRAWN	BY	CHKD	APVD	Switchcraft®
15-Dec-09	TJK	12-15-09	12-15-09	
NAME				SHEET   OF
4 WIRE CONNECTORIZED JACKFIELD				REV
PART No.				J
TT4W24MCF1				