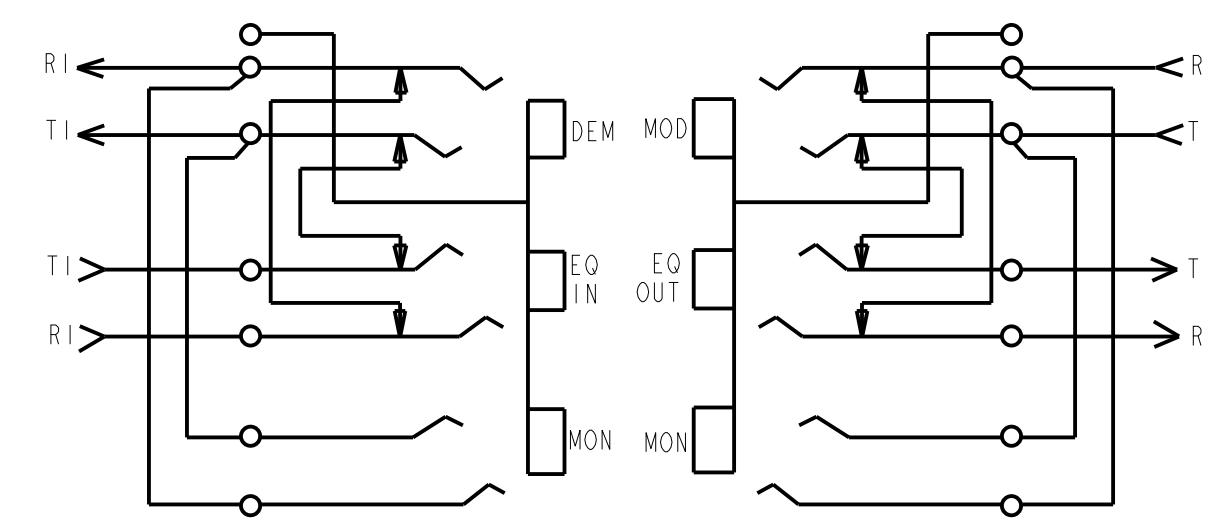
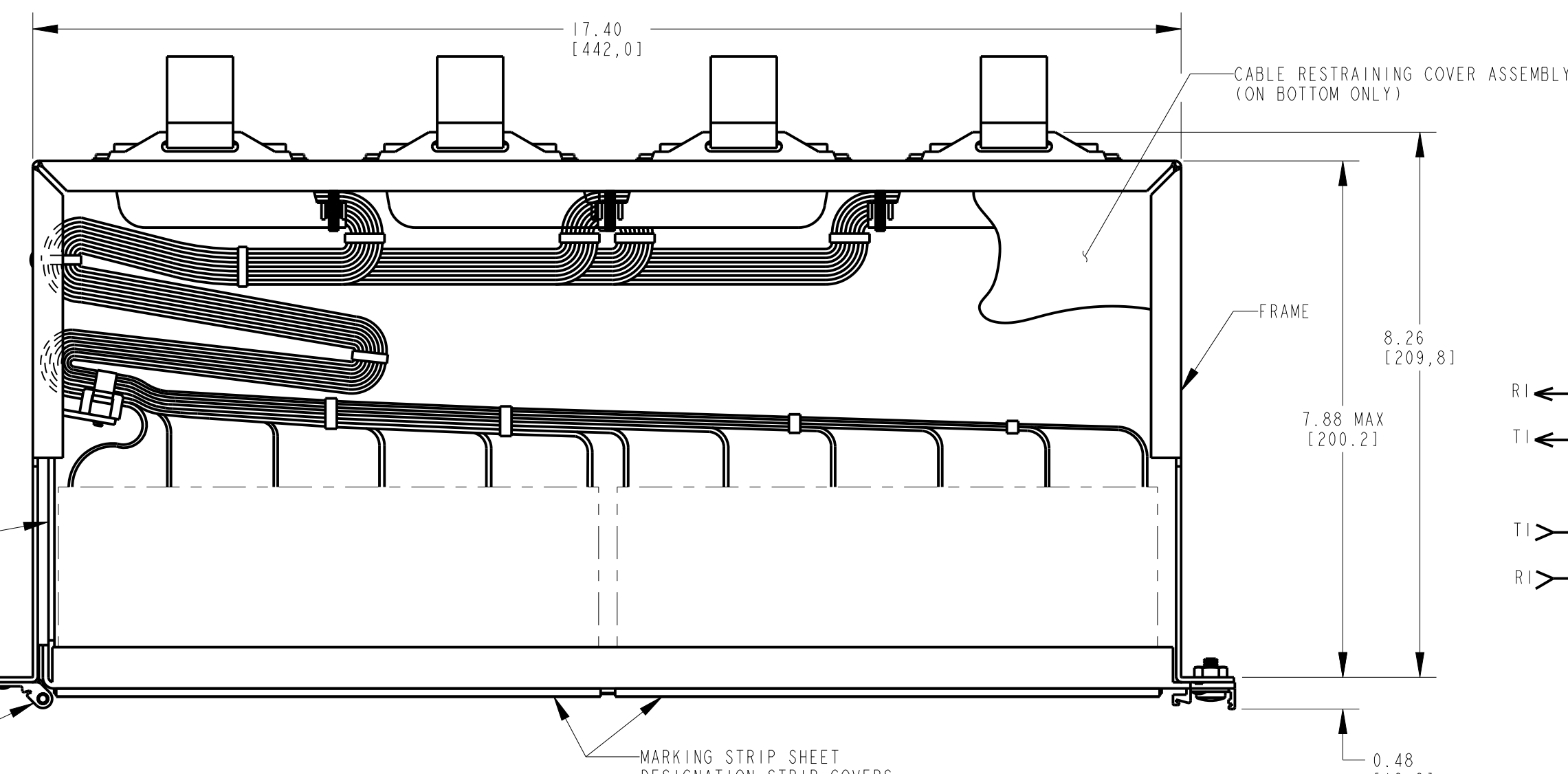
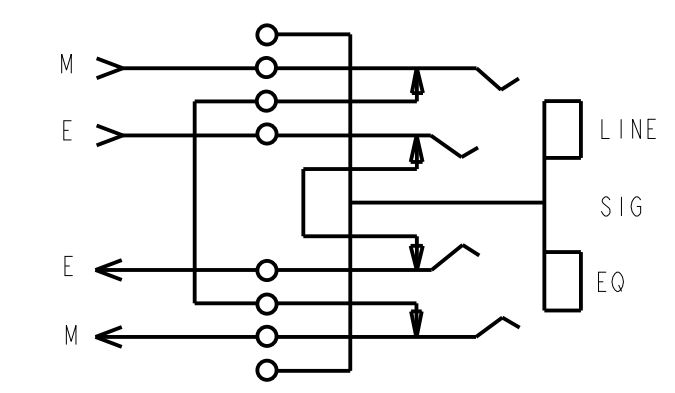
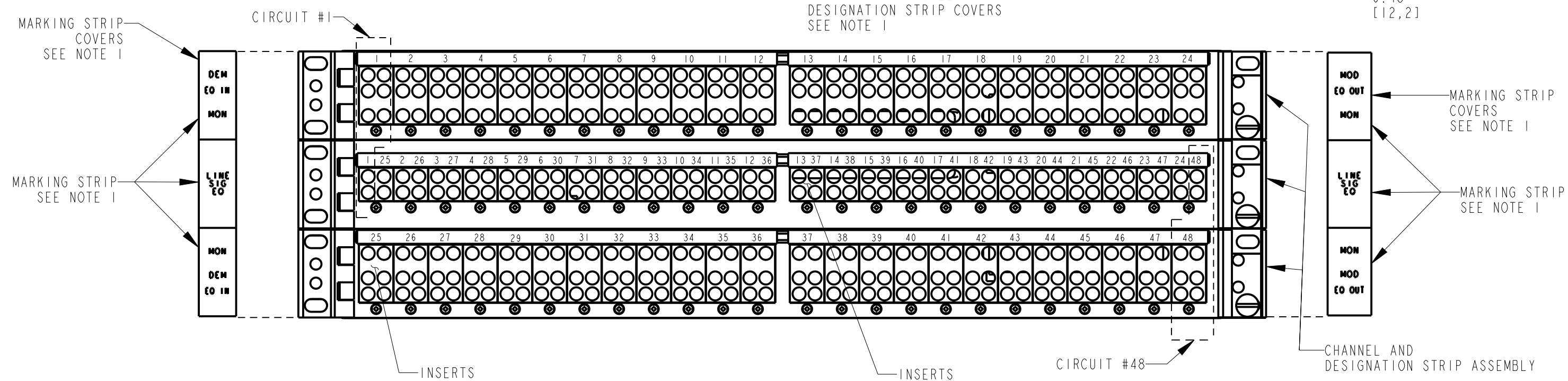


CONNECTION TABLE							
TO PLUG CONNECTOR		PIN		TO RECEPTACLE CONNECTOR		PIN	
CIRCUIT 1	DEM	TI	26	CIRCUIT 1	MOD	T	26
		RI	1			R	1
REPEATED				REPEATED			
CIRCUIT 24	DEM	TI	49	CIRCUIT 24	MOD	T	49
		RI	24			R	24
CIRCUIT 25	DEM	TI	26	CIRCUIT 25	MOD	T	26
		RI	1			R	1
REPEATED				REPEATED			
CIRCUIT 48	DEM	TI	49	CIRCUIT 48	MOD	T	49
		RI	24			R	24
CIRCUIT 1	EQ OUT	T	26	CIRCUIT 1	EQ IN	TI	26
		R	1			RI	1
REPEATED				REPEATED			
CIRCUIT 24	EQ OUT	T	49	CIRCUIT 24	EQ IN	TI	49
		R	24			RI	24
CIRCUIT 25	EQ OUT	T	26	CIRCUIT 25	EQ IN	TI	26
		R	1			RI	1
REPEATED				REPEATED			
CIRCUIT 48	EQ OUT	T	49	CIRCUIT 48	EQ IN	TI	49
		R	24			RI	24
CIRCUIT 1	SIG EQ	E	26	CIRCUIT 1	SIG LINE	E	26
		M	1			M	1
REPEATED				REPEATED			
CIRCUIT 24	SIG EQ	E	49	CIRCUIT 24	SIG LINE	E	49
		M	24			M	24
CIRCUIT 25	SIG EQ	E	26	CIRCUIT 25	SIG LINE	E	26
		M	1			M	1
REPEATED				REPEATED			
CIRCUIT 48	SIG EQ	E	49	CIRCUIT 48	SIG LINE	E	49
		M	24			M	24



TRI JACKS TOP & BOTTOM PANEL
SEE TABLE AND SCHEMATIC



TWIN JACKS MIDDLE PANEL
SEE TABLE AND SCHEMATIC

SCHEMATIC
TYPICAL OF 48 CIRCUITS (CUSTOMER DRAWING)

NOTES:
1. MARKING STRIPS AND COVERS SHIPPED UNASSEMBLED.

☆ STAR SYMBOL DENOTES CRITICAL DIMENSION UNLESS OTHERWISE SPECIFIED 1. ALL DIMENSIONS IN INCHES - TWO PLACE DECIMALS ±0.01 - THREE PLACE DECIMALS ±0.005 - ANGLES ±1° - ALL DIA. CONCENTRIC WITHIN 0.005 T.I.R. 2. FEATURES ON THE SAME CENTERLINE MUST BE ALIGNED WITHIN ±0.002 3. REMOVE ALL BURRS DO NOT SCALE DRAWING				THIS DRAWING DESCRIBES A DESIGN CONSIDERED PROPRIETARY IN NATURE, DEVELOPED AND MANUFACTURED BY SWITCHCRAFT INC. AND IS RELEASED ON A CONFIDENTIAL BASIS FOR IDENTIFICATION PURPOSES ONLY.			
SIZE	WIDTH	MULT	LBS/M	TEMPER			
FINISH SPEC No.			MATERIAL SPEC No.				
FIRST USED ON			SCALE 1:2				
DATE DRAWN	BY	CHKD	APVD				
2-26-76	KB	EN	JF				
NAME			PART No.				
6 WIRE CONNECTORIZED JACKFIELD			TT6W48MCF1				
REVISIONS				REV G			