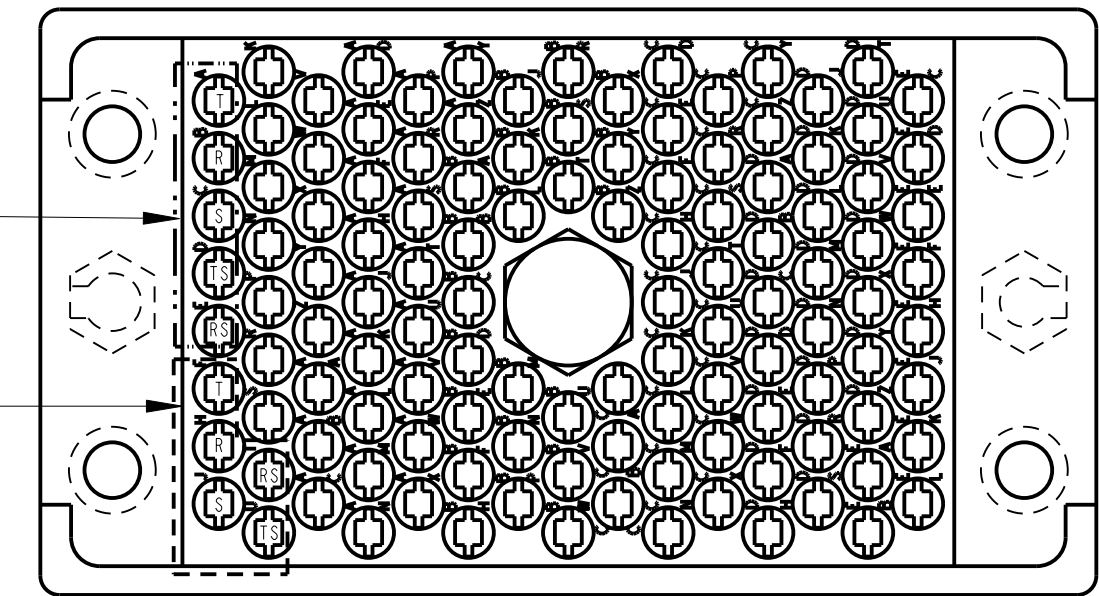


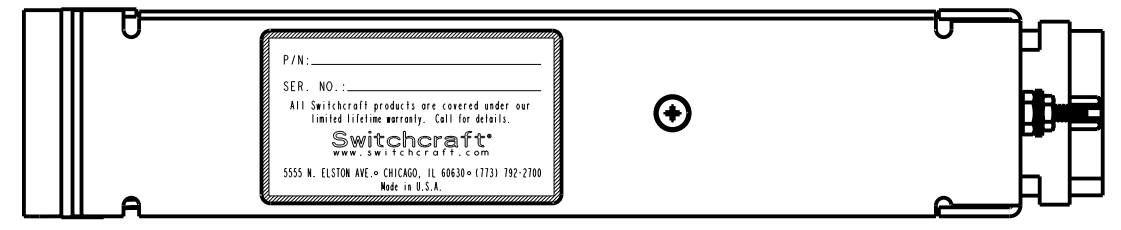
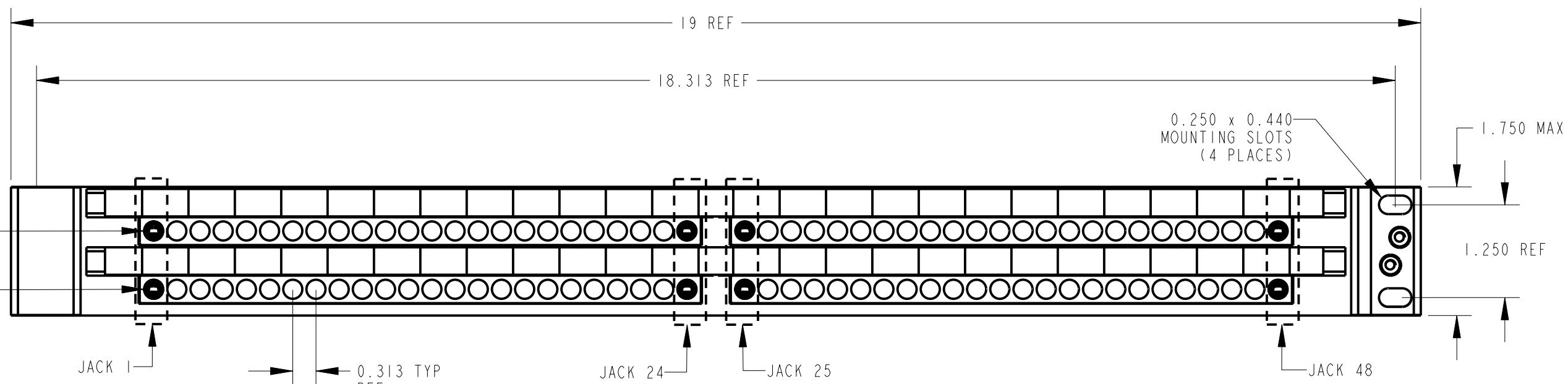
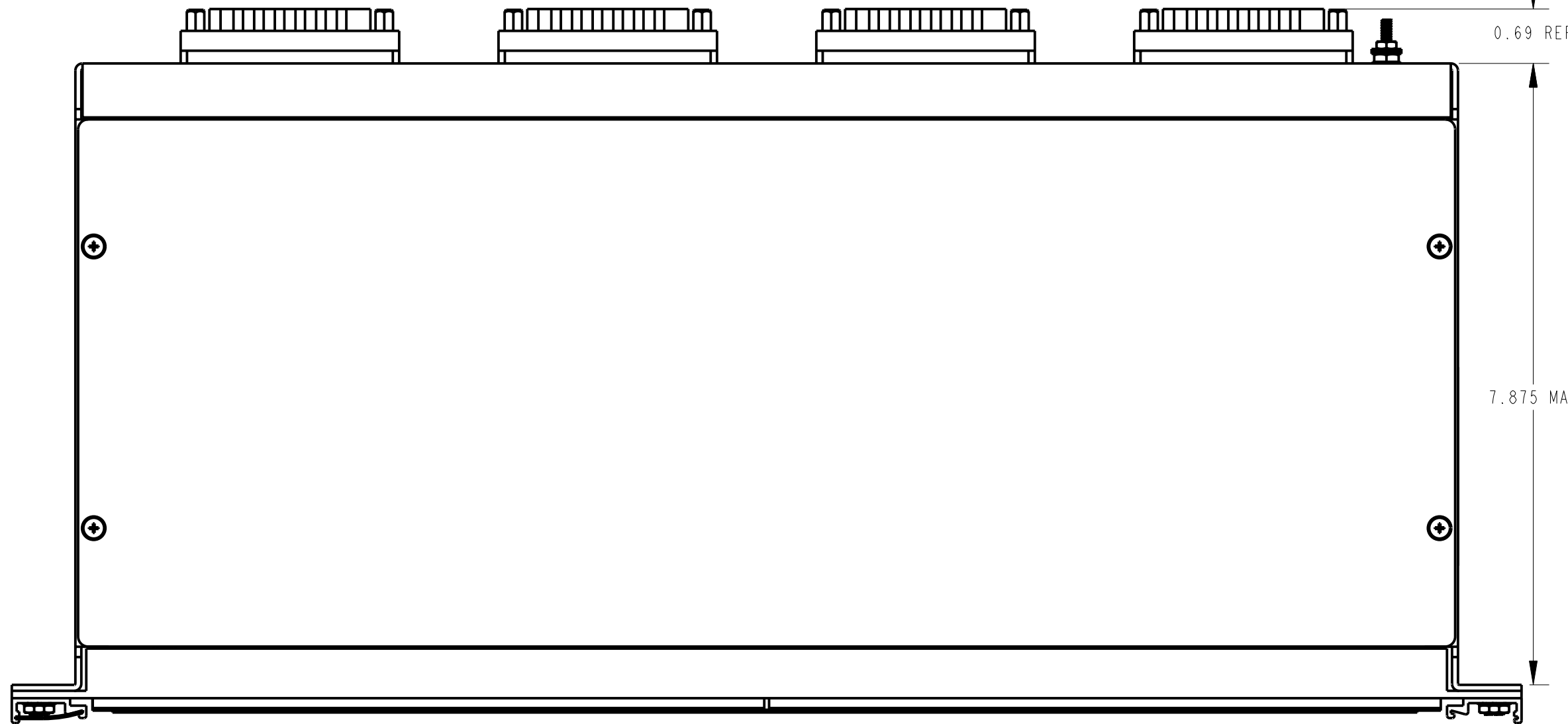
JACK #2 FOR INPUT AND OUTPUT #1 THROUGH #24, AND JACK #26 FOR INPUT AND OUTPUT #25 THROUGH #48



JACK #1 FOR INPUT AND OUTPUT #1 THROUGH #24, AND JACK #25 FOR INPUT AND OUTPUT #25 THROUGH #48

WIRING CONFIGURATION
WIRING VIEW - ROTATED 180° (NORMALS BROUGHT OUT)
SEE NOTE 2

120 PIN CONNECTOR PIN-OUT					
JACK No.	TIP	RING	SLEEVE	TIP SHUNT	RING SHUNT
1	A	B	C	D	E
JACKS #2 THRU #6 PATTERN CONTINUES TO AN, AM, AL, AK, AJ					
7	AH	AF	AE	AD	AP
JACKS #8 THRU #12 PATTERN CONTINUES TO BN, BP, BW, BV, BU					
13	BT	BS	BR	BX	BY
JACKS #14 THRU #18 PATTERN CONTINUES TO CX, DH, DF, DE, DD					
19	DC	DB	DA	CZ	CY
JACKS #20 THRU #24 PATTERN CONTINUES TO EF, EH, EJ, EK, EL					



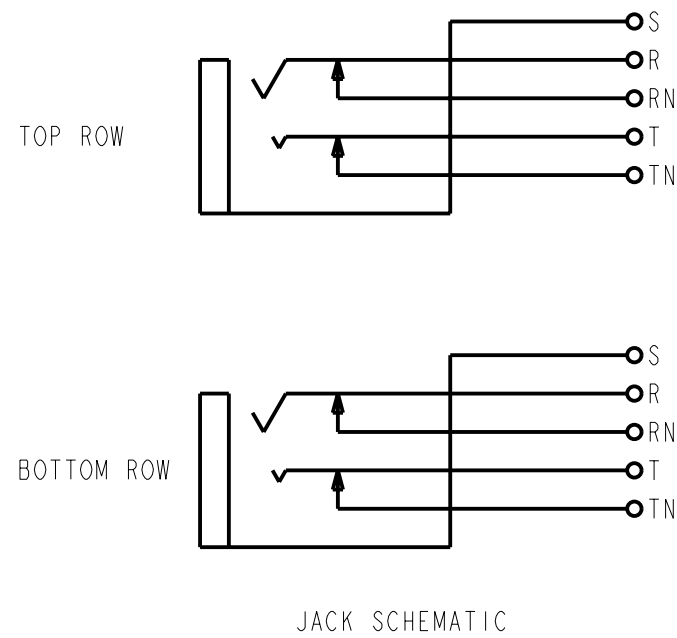
NOTES:

1. MATERIALS:

JACKS
Frame: Nickel-plated steel
Bushing: Nickel-plated Brass
Tip, Ring and Shunt Springs: Nickel-silver with welded contacts
Assembly Screws: Zinc plated steel
Welded Contacts: Gold alloy

PANEL
Front Channel: Black anodized aluminum
Frame & Cover: C.R.S. black epoxy painted
Designation Strips: Black Polycarbonate, 94V-0
Designation Strip Covers: Clear Polycarbonate
Jack Inserts: Polyester

EDAC CONNECTOR
Housing: Thermoplastic, UL94V-0 (part no's: 516-120-000-202)
Contacts: Gold plated Phosphor Bronze



2. WIRING STARTS AT "A" ON CONNECTOR AND WINDS UP AND DOWN CONTINUOUSLY THROUGHOUT CONNECTOR.

3. MOUNTING SCREW (4) SHIPPED UNASSEMBLED.

REV	ECO NUMBER	DATE	BY	APVD
C	26889	11-29-11	TO	TJK
B	23309	4-10-00	DA	JF
A	23282	4-7-00	DA	JF

★ STAR SYMBOL DENOTES CRITICAL DIMENSION

UNLESS OTHERWISE SPECIFIED

1. ALL DIMENSIONS IN INCHES
- TWO PLACE DECIMALS ±0.01
- THREE PLACE DECIMALS ±0.005
- ANGLES ±1°
- ALL DIA. CONCENTRIC WITHIN 0.005 T.I.R.

2. FEATURES ON THE SAME CENTERLINE MUST BE ALIGNED WITHIN ±0.002

3. REMOVE ALL BURRS

DO NOT SCALE DRAWING

SIZE	WIDTH	MULT	LBS/M	TEMPER
FINISH				
SPEC No.				
FIRST USED ON			SCALE	
DATE DRAWN			5:8	
BY	CHKD	APVD		
13-Mar-00	SG	JF		
5-23-97		1-21-99		
NAME				REV
JACKFIELD				C
2x48 MONO SPACED JACKS				
PART No.			REV	
TTP96EDACNO			C	

CUSTOMER DRAWING

Switchcraft®