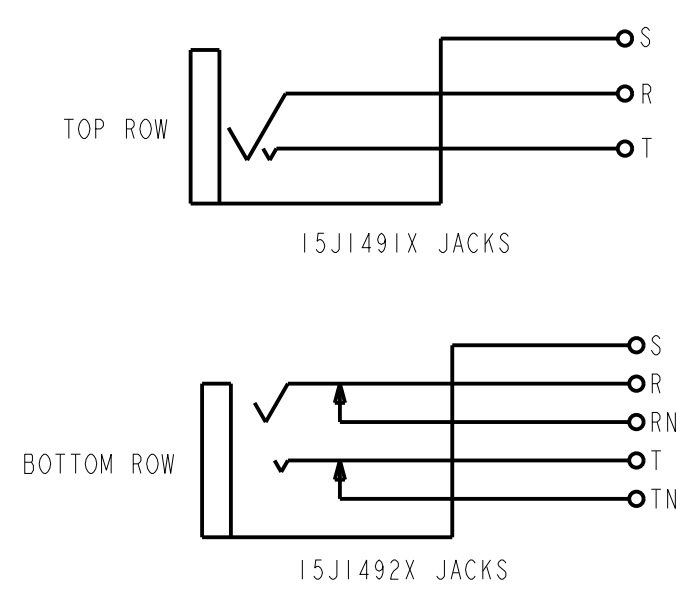
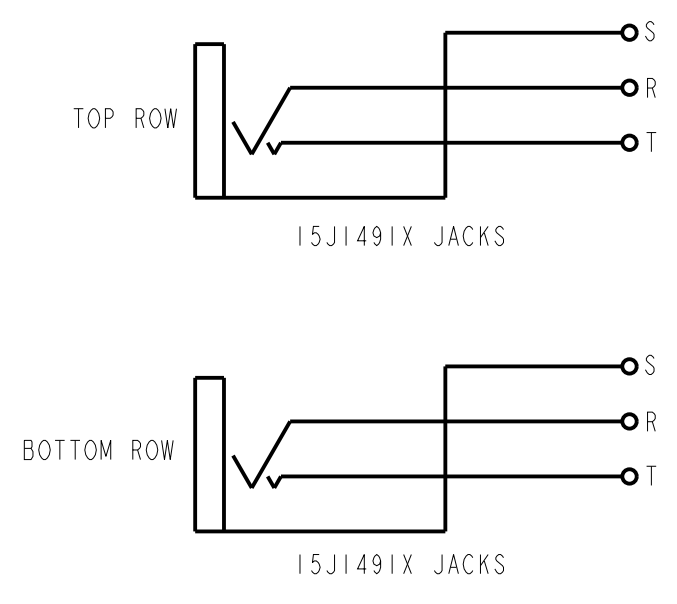


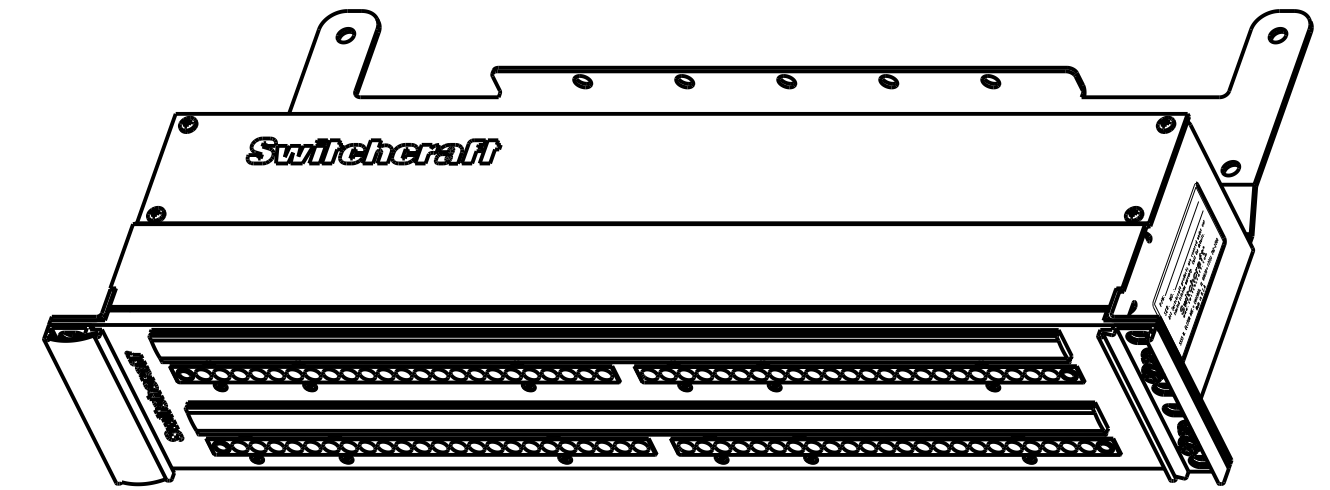
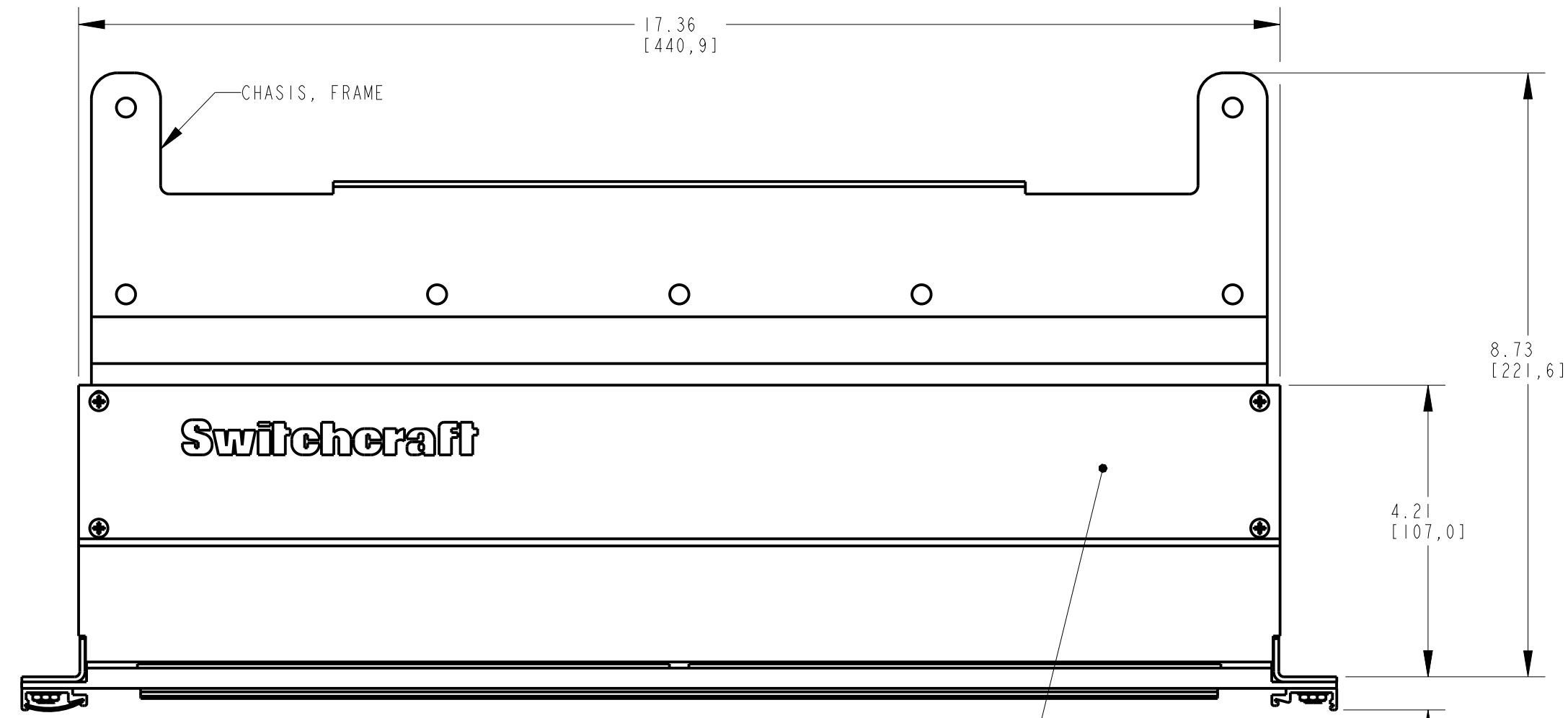
TTP96K3FNX
SCHEMATIC



TTP96K3HNX
SCHEMATIC

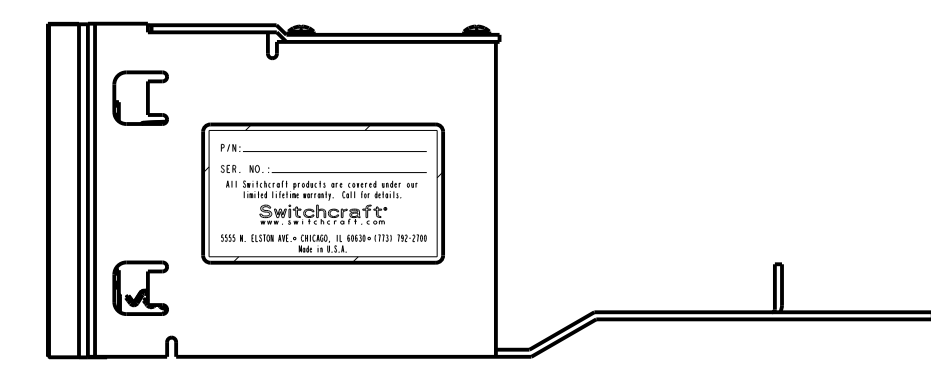
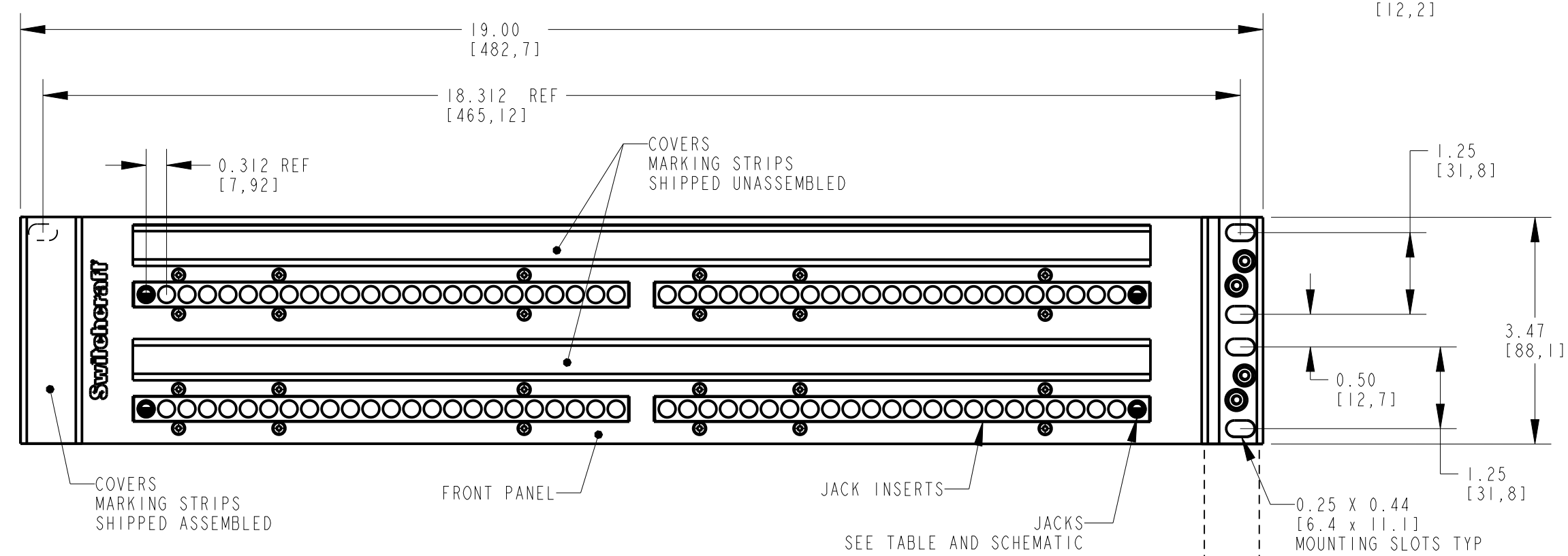


TTP96K3NNX
SCHEMATIC



SCALE 1:3

PART NUMBER	TYPE	JACK PART NUMBER
TTP96K3FNX	FULL NORMAL	15J1492X (96 TOP & BOTTOM ROW)
TTP96K3HNX	HALF NORMAL	15J1491X (48 TOP ROW) 15J1492X (48 BOTTOM ROW)
TTP96K3NNX	NON-NORMAL	15J1491X (96 TOP & BOTTOM ROW)



- NOTES:
- MATERIALS:
FRONT PANEL - ALUMINUM, BLACK ANODIZE
CHASSIS, FRAME - STEEL, BLACK EPOXY PAINT
COVER PLATE - STEEL, BLACK EPOXY PAINT
COVER STRIPS - STEEL, BLACK EPOXY PAINT
JACK INSERTS - THERMOPLASTIC, BLACK
JACK BUSHING - COPPER ALLOY, NICKEL PLATED
JACK FRAME - STEEL, NICKEL PLATED
 - CABLE TIES NOT SHOWN.
 - MOUNTING SCREWS SHIPPED UNASSEMBLED.
 - THESE PRODUCTS ARE RoHS COMPLIANT.

COVERS MARKING STRIPS (THESE PARTS REMOVED FOR CLARITY)

REV	ECO NUMBER	DATE	BY	APVD
A	27692	05-05-16	PC	TJK

REVISIONS

★ STAR SYMBOL DENOTES CRITICAL DIMENSION

UNLESS OTHERWISE SPECIFIED

- ALL DIMENSIONS IN INCHES
- TWO PLACE DECIMALS ±0.01
- THREE PLACE DECIMALS ±0.005
- ANGLES ±1°
- ALL DIA. CONCENTRIC WITHIN 0.005 T.I.R.
- FEATURES ON THE SAME CENTERLINE MUST BE ALIGNED WITHIN ±0.002
- REMOVE ALL BURRS

DO NOT SCALE DRAWING

THIS DRAWING DESCRIBES A DESIGN CONSIDERED PROPRIETARY IN NATURE, DEVELOPED AND MANUFACTURED BY SWITCHCRAFT INC. AND IS RELEASED ON A CONFIDENTIAL BASIS FOR IDENTIFICATION PURPOSES ONLY.				
SIZE	WIDTH	MULT	LBS/M	TEMPER
FINISH		MATERIAL		
SPEC No.		SPEC No.		
FIRST USED ON		SCALE		
DATE DRAWN		BY	CHKD	APVD
03-19-24	PC	03-19-24	03-19-24	03-19-24
NAME		PART No.		REV
2RU, UNWIRED		TTP96K3_X_SERIES		A
P-KIT ASSEMBLY, RoHS				

CUSTOMER DRAWING

