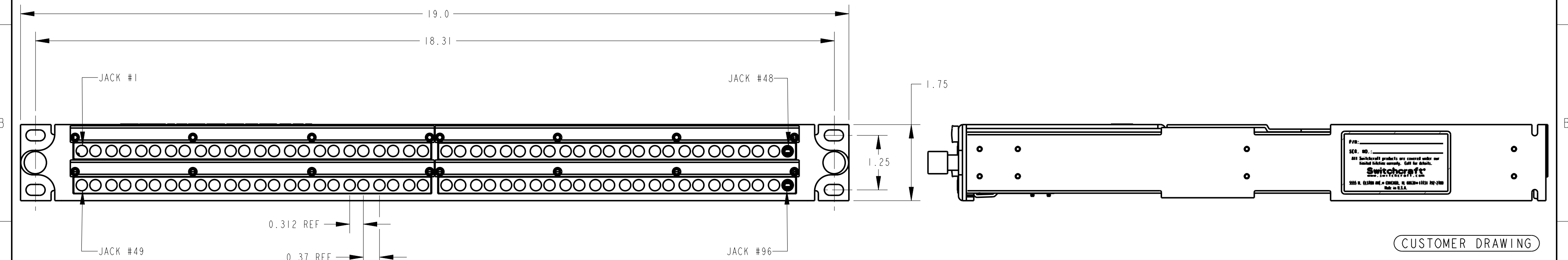
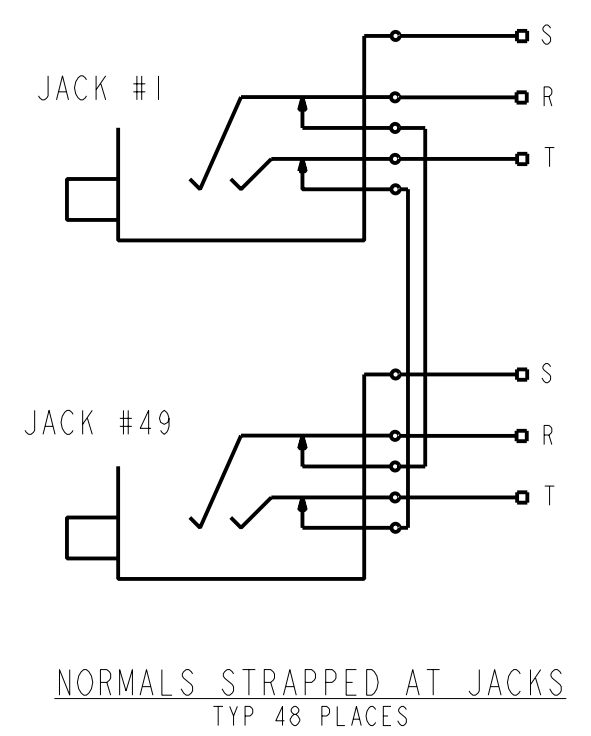


- NOTES:
1. THE IDC TRAY SLIDES OUT FROM THE RACK TO ALLOW FOR IDC PUNCHING FROM THE FRONT OF THE PATCH PANEL.
 1. 96 TT JACKS - STEREO SPACED WITH THE NORMALS STRAPPED AT THE JACKS.
 2. TIP, RING AND SLEEVE CONNECTIONS ARE MADE ON SWITCHCRAFT'S PROFESSIONAL PUNCHDOWN TERMINALS (PPT). NOT ALL PPT'S ARE SHOWN.
 3. USE SWITCHCRAFT PUNCH DOWN TOOL #PT1 TO MAKE WIRE CONNECTIONS.
 4. ACCOMMODATES #22, 24, or 26 AWG, STRANDED OR SOLID WIRE.



CUSTOMER DRAWING

☆ STAR SYMBOL DENOTES CRITICAL DIMENSION UNLESS OTHERWISE SPECIFIED 1. ALL DIMENSIONS IN INCHES - TWO PLACE DECIMALS ±0.01 - THREE PLACE DECIMALS ±0.005 - ANGLES ±1° - ALL DIA. CONCENTRIC WITHIN 0.005 T.I.R. 2. FEATURES ON THE SAME CENTERLINE MUST BE ALIGNED WITHIN ±0.002 3. REMOVE ALL BURRS				THIS DRAWING DESCRIBES A DESIGN CONSIDERED PROPRIETARY IN NATURE, DEVELOPED AND MANUFACTURED BY SWITCHCRAFT INC. AND IS RELEASED ON A CONFIDENTIAL BASIS FOR IDENTIFICATION PURPOSES ONLY.				
SIZE		WIDTH	MULT	LBS/M	TEMPER			
FINISH SPEC No.			MATERIAL SPEC No.					
FIRST USED ON			SCALE 1:2					
DATE DRAWN	BY	CHKD	APVD	Switchcraft®				
14-Dec-98	TJK	12-14-98	12-14-98	SHEET OF				
NAME TT JACK TO IDC FRONT ACCESS PATCH PANEL - NORMALS STRAPPED				PART No.	REV			
REVISIONS				TTPFA96KINS_CD	A			