

NOTES:

1. MATES WITH PJ-051 PLUG.

MATERIALS:

FRAME - STEEL - CAD. PLATED WITH IRIDESCENT IRIDITE FINISH.

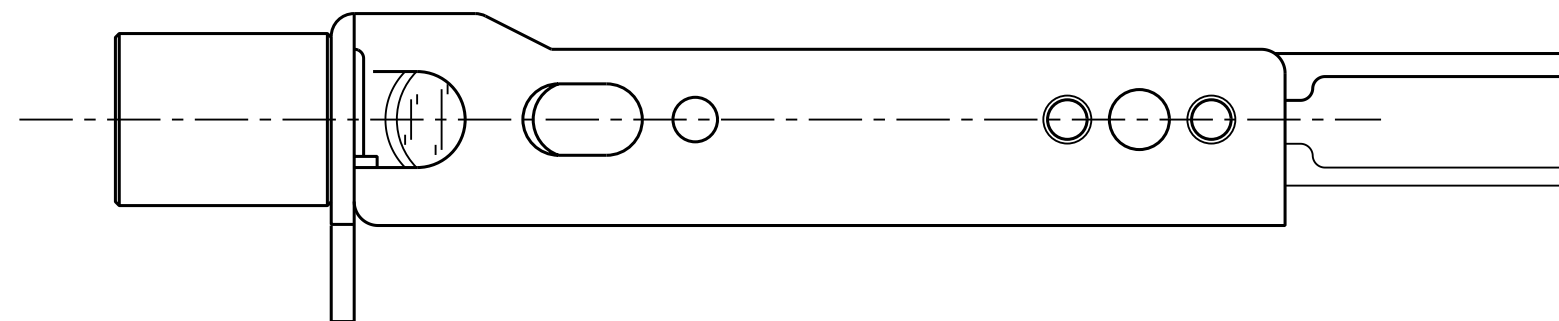
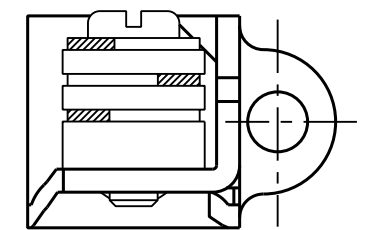
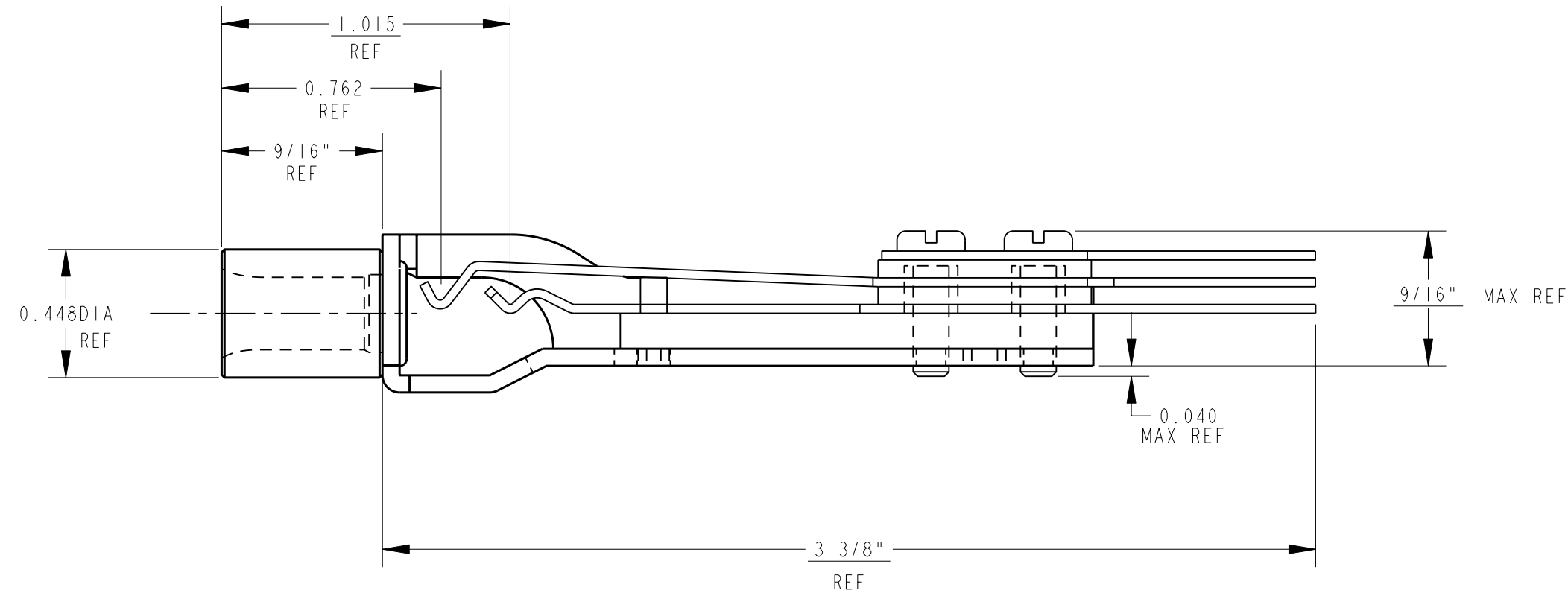
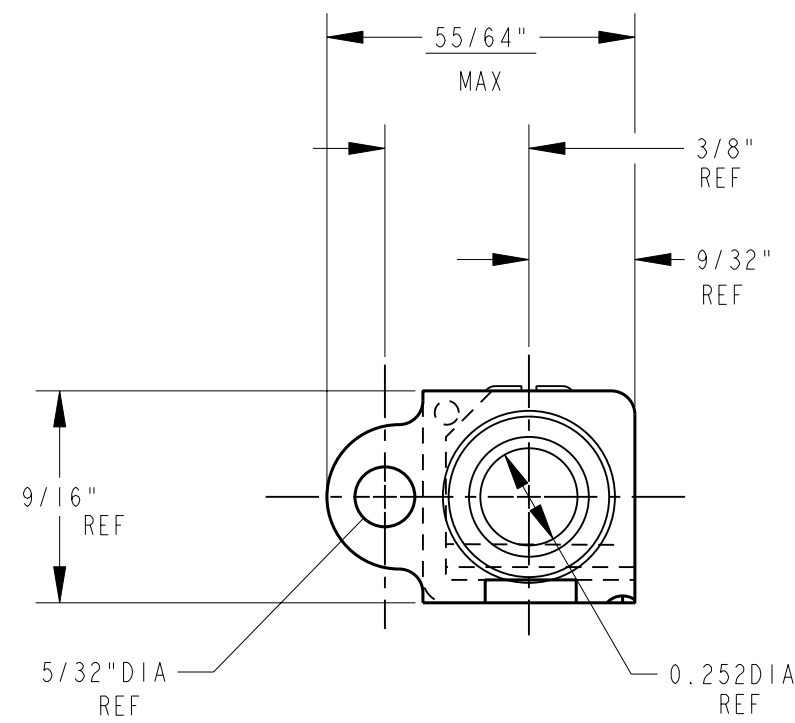
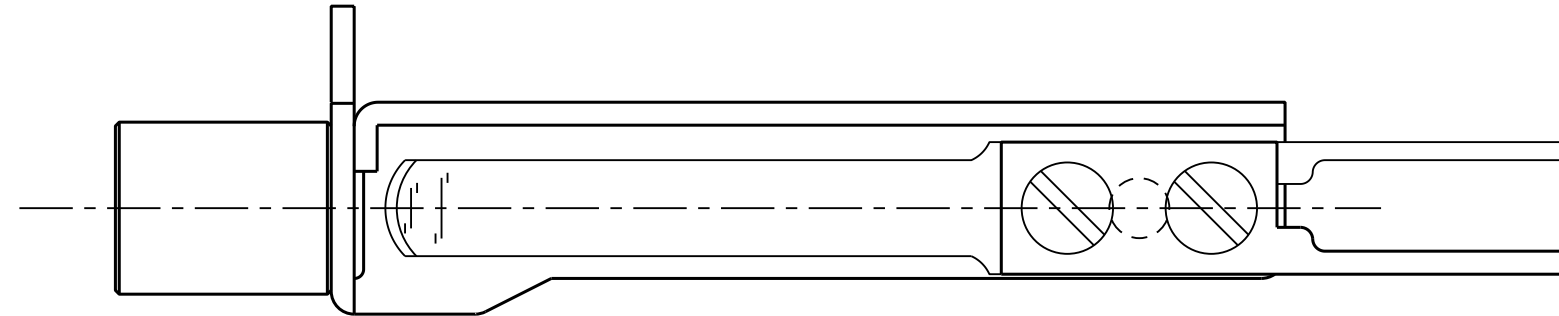
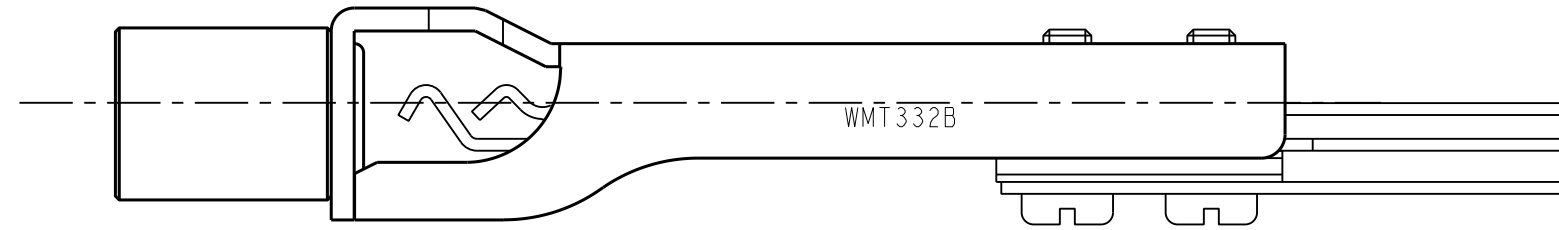
BUSHING - BRASS, NICKEL PLATED

SPRINGS - NICKEL SILVER SPRING TEMPERED

SPACERS - PHENOLIC TYPE XXXP

LIFTER / SPACER - POLYPHENYLENE SULFIDE

SCREWS - STEEL - IRID, IRIDITE FINISH.



CUSTOMER DRAWING
 CAD/CAM DWG. NO.
 WMT332B_CD
 SHEET 1 OF 1

☆ STAR SYMBOL DENOTES CRITICAL DIMENSION. SEE S/C ENGINEERING STANDARD ES-0001.				THIS DRAWING DESCRIBES A DESIGN CONSIDERED PROPRIETARY IN NATURE, DEVELOPED AND MANUFACTURED BY SWITCHCRAFT INC. AND IS RELEASED ON A CONFIDENTIAL BASIS FOR IDENTIFICATION PURPOSE ONLY.																								
UNLESS OTHERWISE SPECIFIED				SIZE	WIDTH	MULT	LBS./M	TEMPER																				
1. ALL DIMENSIONS IN INCHES TWO PLACE DECIMAL ±.01 THREE PLACE DECIMAL ±.005 FRACTIONAL DIMENSIONS ±1/64 ANGLES ±1/2° ALL DIA.'S CONCENTRIC WITHIN .005 T.I.R.				FINISH		MATERIAL																						
2. REMOVE ALL BURRS 3. MAKE NO DIMENSIONAL ALLOWANCES FOR APPLIED FINISHES, I.E., PLATING, PAINTING, ETC.				SPEC. NO.		SCALE																						
4. HOLES ON THE SAME CENTERLINE MUST BE ALIGNED WITHIN ±.002				FIRST USED ON		I = 0.5																						
DO NOT SCALE DRAWING				DATE DRAWN	BY	CHK'D	APP'D																					
REVISIONS				7-10-69	EDZ	CJW 8-8-69	LG 8-20-69																					
<table border="1"> <thead> <tr> <th>ISSUE</th> <th>CHANGE NO.</th> <th>DATE</th> <th>BY</th> <th>APP'D</th> </tr> </thead> <tbody> <tr> <td>D</td> <td>ECO #21288</td> <td>9-17-96</td> <td>RC</td> <td>JF</td> </tr> <tr> <td>C</td> <td>ECO #20325</td> <td>12-15-95</td> <td>DEA</td> <td>JF</td> </tr> <tr> <td>B</td> <td>CAD REDRAW WAS REV A ECO #18560</td> <td>3-10-94</td> <td>RS</td> <td>EB</td> </tr> </tbody> </table>				ISSUE	CHANGE NO.	DATE	BY	APP'D	D	ECO #21288	9-17-96	RC	JF	C	ECO #20325	12-15-95	DEA	JF	B	CAD REDRAW WAS REV A ECO #18560	3-10-94	RS	EB	NAME		PART NO.		ISSUE
ISSUE	CHANGE NO.	DATE	BY	APP'D																								
D	ECO #21288	9-17-96	RC	JF																								
C	ECO #20325	12-15-95	DEA	JF																								
B	CAD REDRAW WAS REV A ECO #18560	3-10-94	RS	EB																								
				TELEPHONE JACK (3 CONDUCTOR)		WMT332B		D																				