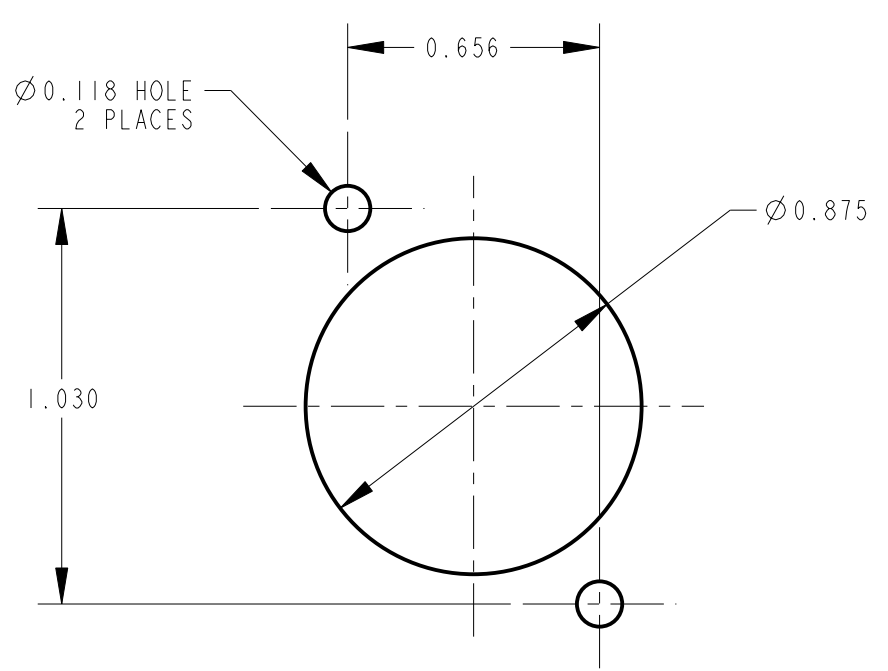
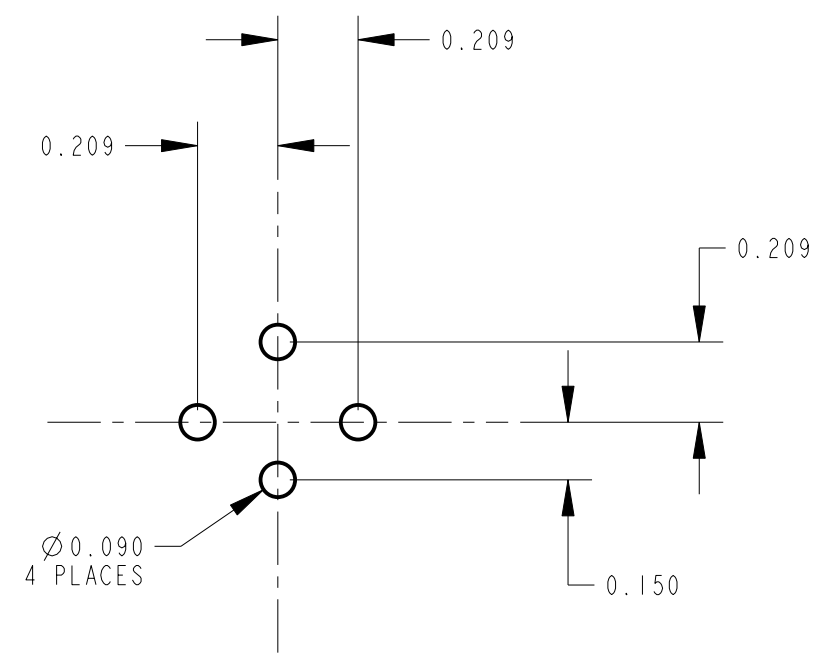


FIGURE 1
DETENT VERSION

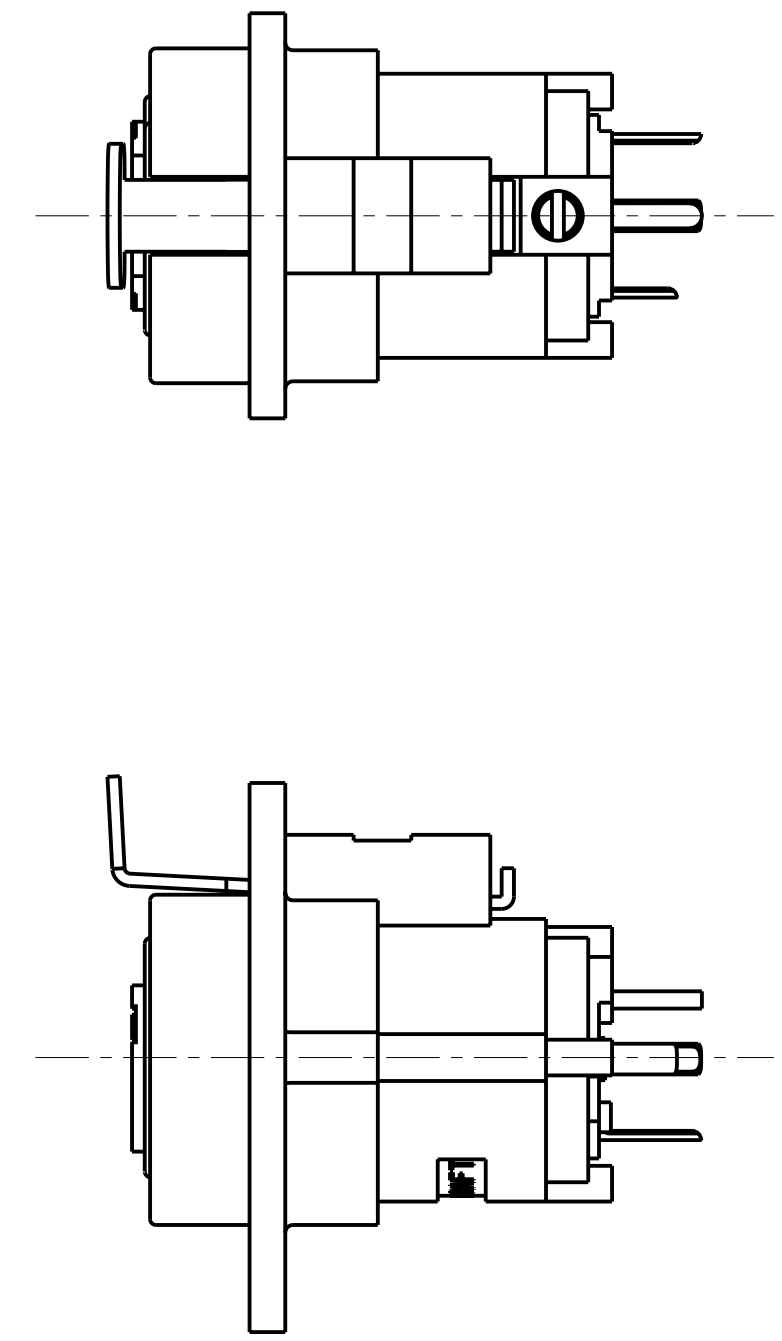
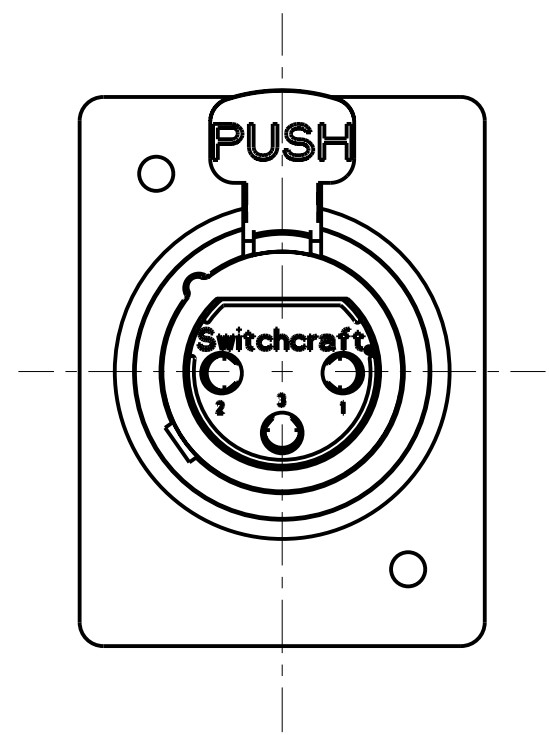
NOTES:
1. ALL DIMENSIONS REF. UNLESS OTHERWISE SPECIFIED.



RECOMMENDED PANEL CUT-OUT



RECOMMENDED PC BOARD LAYOUT
(COMPONENT SIDE)



STANDARD SERIES

SCREW - STAINLESS STEEL
SHELL - STAINLESS STEEL
LATCH BUTTON - ZINC, NICKEL PLATED
INSULATOR - POLYESTER, GREEN
SOLDER TERMINAL - BRASS, ELECTRO TIN PLATED
LATCH SPRING - STAINLESS STEEL
CONTACTOR - BERYLLIUM COPPER, NICKEL PLATED
CONTACT PIN - PHOSPHOR BRONZE, SILVER PLATED
HOUSING - ZINC, NICKEL PLATED

Y 3 F - PC

LATCH TYPE
BLANK = STANDARD LATCHLOCK
D = FAS-DIS-CONNECT DETENT (SEE FIG. 1)

CUSTOMER DRAWING

REV	ECO NUMBER	DATE	BY	APVD
G	20113	11-20-95	SG	KS
F	20112	11-20-95	SG	KS
E	20110	11-20-95	SG	KS
D	ECO #19993	7-1-95	GHJ	GHJ
J	ECO #22020	10-20-97	MM	DG
H	20627	2-7-96	SG	SG

★ STAR SYMBOL DENOTES CRITICAL DIMENSION

UNLESS OTHERWISE SPECIFIED

1. ALL DIMENSIONS IN INCHES
- TWO PLACE DECIMALS ±0.01
- THREE PLACE DECIMALS ±0.005
- FRACTIONAL DIMENSIONS ±1/64
- ANGLES ±1°
- ALL DIA. CONCENTRIC WITHIN 0.005 T.I.R.

2. FEATURES ON THE SAME CENTERLINE MUST BE ALIGNED WITHIN ±0.002

3. REMOVE ALL BURRS

DO NOT SCALE DRAWING

THIS DRAWING DESCRIBES A DESIGN CONSIDERED PROPRIETARY IN NATURE, DEVELOPED AND MANUFACTURED BY SWITCHCRAFT INC. AND IS RELEASED ON A CONFIDENTIAL BASIS FOR IDENTIFICATION PURPOSES ONLY.				
SIZE	WIDTH	MULT	LBS/M	TEMPER
FINISH		MATERIAL		
SPEC No.		SPEC No.		
FIRST USED ON		SCALE		
		2:1		
DATE DRAWN	BY	CHKD	APVD	Switchcraft
30-Aug-94	SG	SG	GHJ	
NAME				PART No.
Y SERIES PC MOUNT				Y3F_PC
REVISIONS				REV
				J