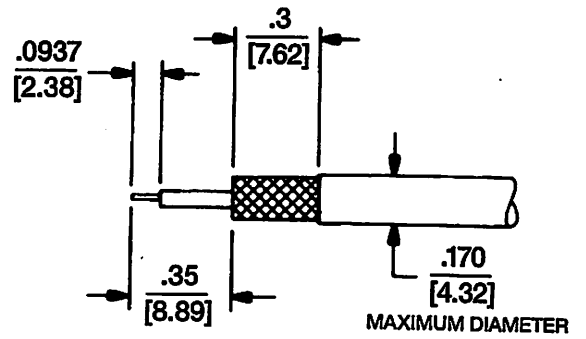


**CORD PLUGS - Series TA(*)F, TA(*)FL,
TA(*)M & TA(*)ML**

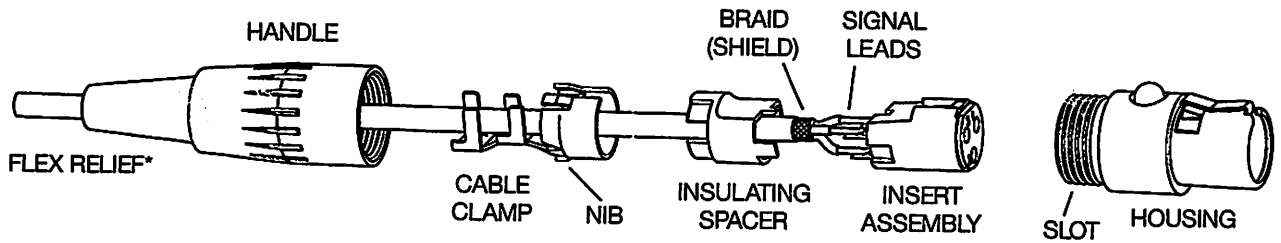
To assemble a cord plug, proceed as follows:

1. Strip cable as shown in illustration.
2. Assemble cord plug parts and cable as shown in exploded view of male or female plug. If cable is larger than .115 inch (2.92 mm) outside diameter Series TA(*)FL or TA(*)ML (without bushing) should be used.
3. Solder leads (22 AWG maximum) to terminals on insert.
4. Slide insulating spacer forward to interlock into insert. If necessary, rotate spacer to assure interlocking fit.

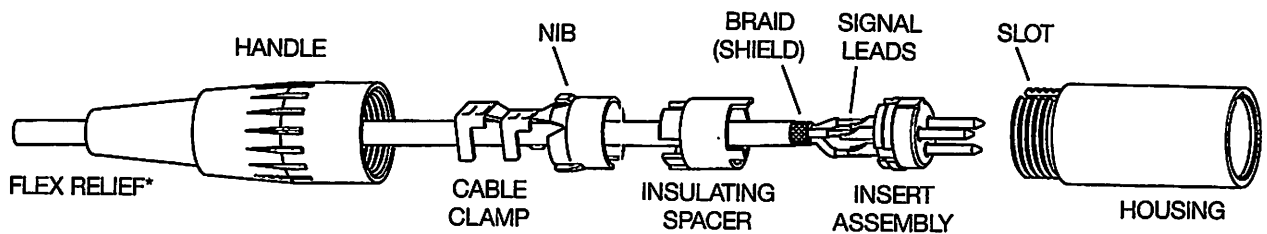
CABLE STRIPPING



EXPLODED VIEW, FEMALE CORD PLUG



EXPLODED VIEW, MALE CORD PLUG



* NOT USED ON SERIES TA(*)ML AND TA(*)FL.

PROCEDURE CONTINUED ON NEXT PAGE—