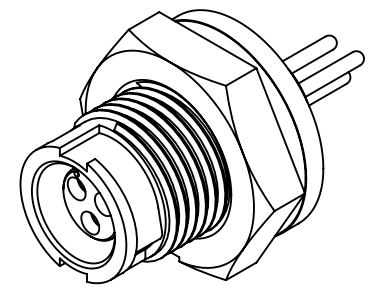
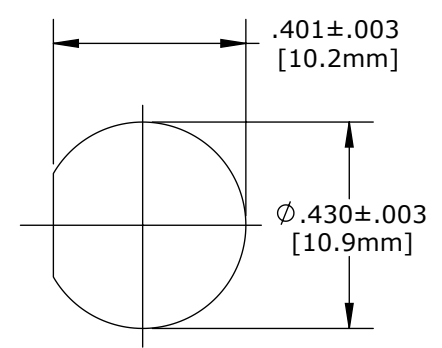
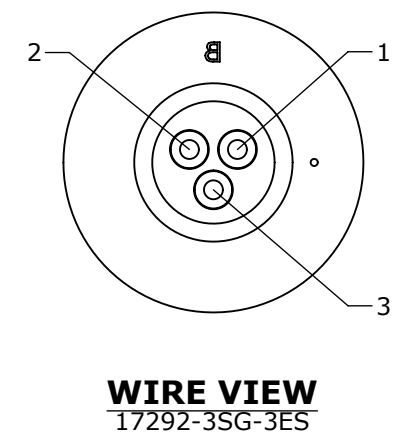
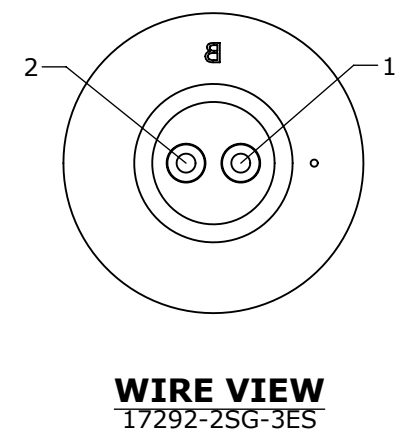
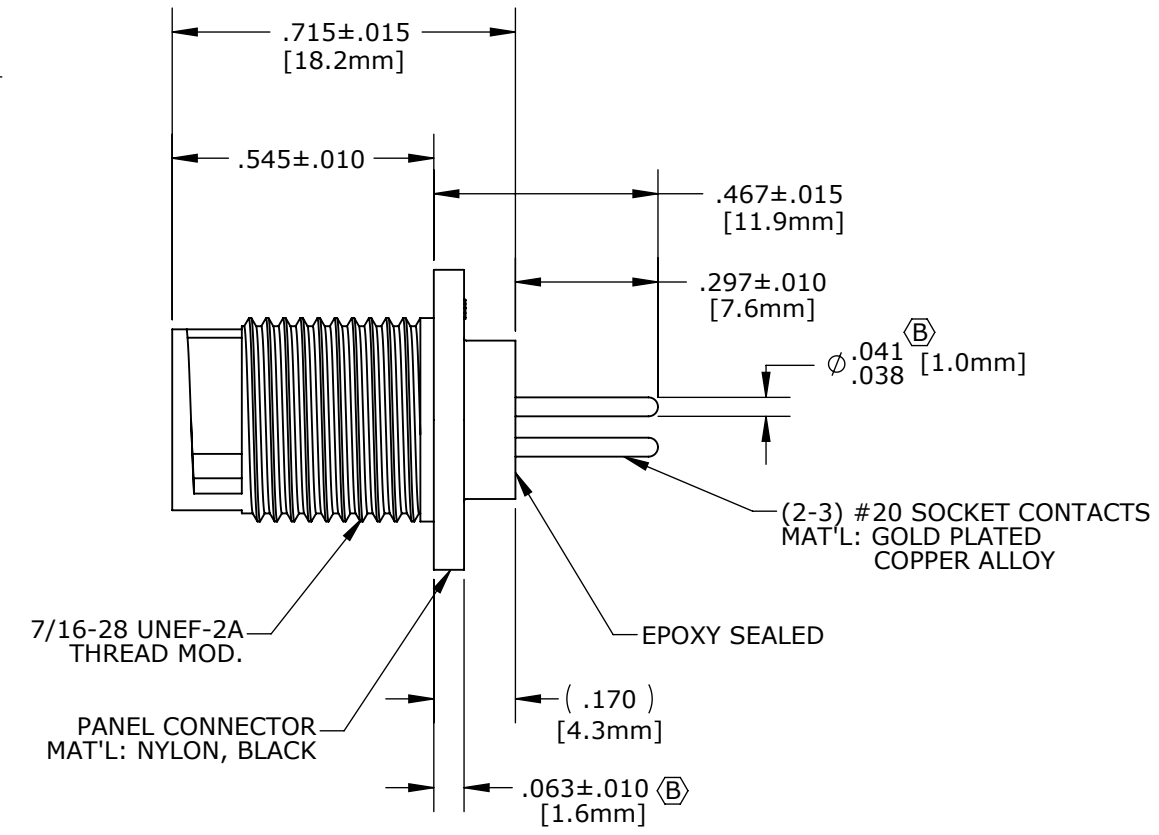
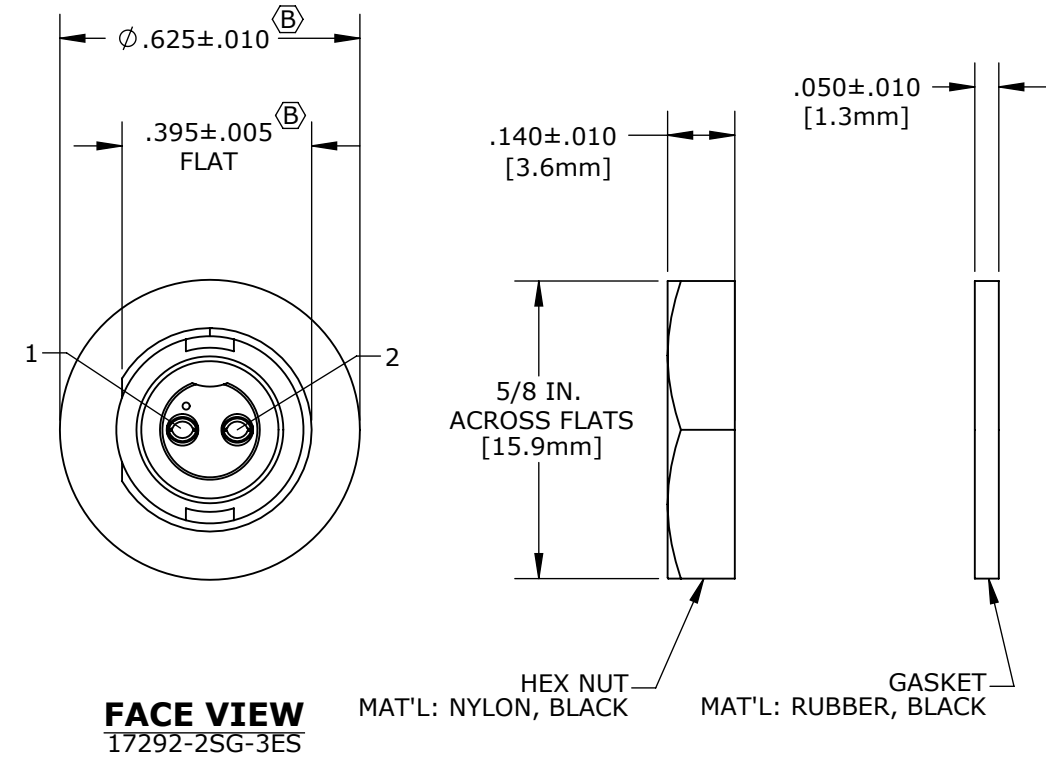


PART NO.	NO. OF CONTACTS
17292-2SG-3ES	2
17292-3SG-3ES	3

- NOTES:
1. PANEL CONNECTORS TO BE PACKED IN PARTITION BOX, 200 PC PER BOX
HEX NUT AND GASKET TO BE BULK PACKED IN A SEPARATE BAG FROM PANEL ASSEMBLY PACKAGE.
 2. CONTACTS ARE INSERTED INTO PANEL CONNECTOR.
 3. BACK END OF CONNECTOR TO BE FILLED WITH EPOXY.
 4. SEE DRAWING HPMISTD FOR HOLE PATTERN.



DIMENSIONS IN BRACKET [] ARE METRIC.

CUSTOMER APPROVAL

THIS DOCUMENT CONTAINS CONFIDENTIAL INFORMATION PROPRIETARY TO CONXALL CORPORATION. ANY REPRODUCTION, DISCLOSURE, OR USE OF THIS DOCUMENT / INFORMATION IS EXPRESSLY PROHIBITED UNLESS AUTHORIZED IN WRITING BY CONXALL CORPORATION.

APPROVED BY: _____

DATE: _____

RoHS COMPLIANT

B	AN	09-27-11	UPDATED PACKAGE NOTE, ADDED TOLERANCES, MATERIAL, CONTACT DIA. AND NOTE 4, ADDED FLAT DIM. ON FACE VIEW. PER ECR 7900
A	BZ	01-26-10	DRAWING CREATED PER DOR 10-E149SL
REV.	INIT.	DATE	DESCRIPTION
	BZ	01-26-10	ORIG. DRAWN BY: DATE: BZ 01-26-10
			CHECKED BY:
			APPROVED BY:
			SCALE: NTS SIZE: B SHEET: 1 OF 1
			TITLE: PANEL MOUNT ASSEMBLY (2-3) #20 SOCKET CONTACTS, .345 PC TAIL MICRO-CON-X STANDARD PRODUCT
			CUSTOMER: STANDARD PRODUCT
			FILE: 17292-XSG-3ES DIRECTORY: SLW PART NUMBER: 17292-XSG-3ES
			REV B

CUSTOMER PRINT

PART NUMBER: 17292-XSG-3ES