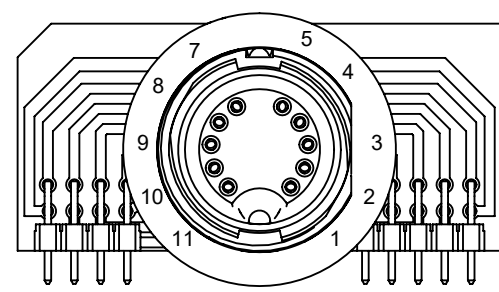
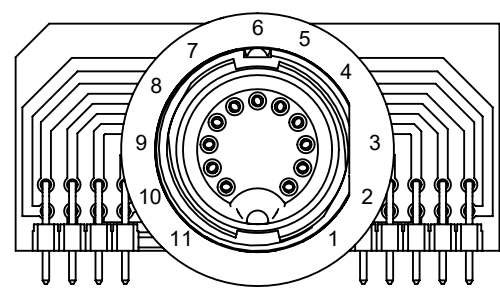


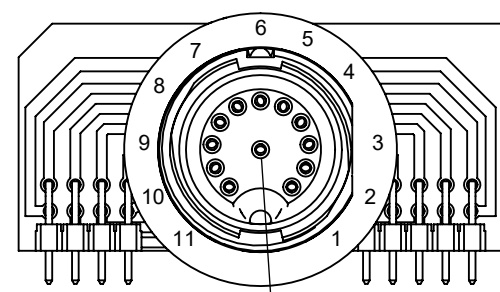
EN3P9FRAPCBW
9 POSITION FEMALE - WIDE PCB



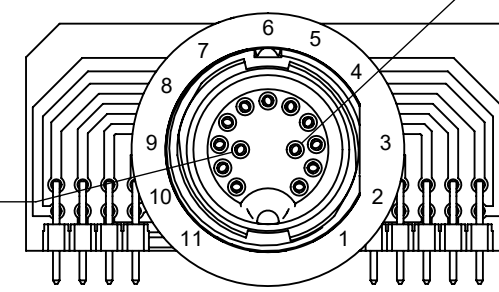
EN3P10FRAPCBW
10 POSITION FEMALE - WIDE PCB



EN3P11FRAPCBW
11 POSITION FEMALE - WIDE PCB

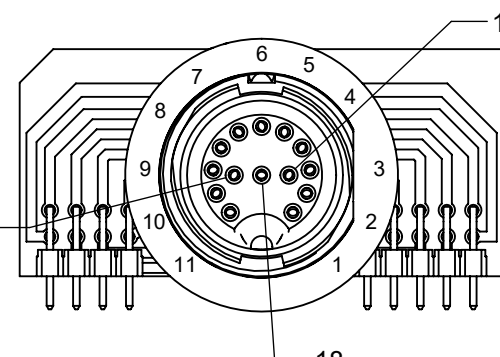


EN3P12FRAPCBW
12 POSITION FEMALE - WIDE PCB

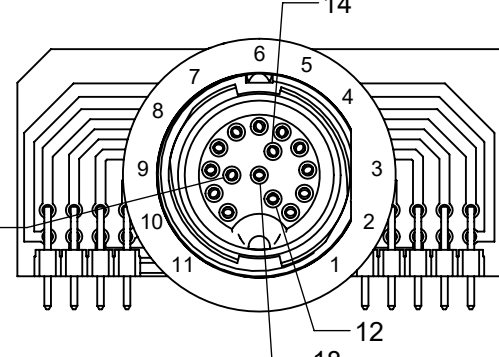


EN3P13FRAPCBW
13 POSITION FEMALE - WIDE PCB

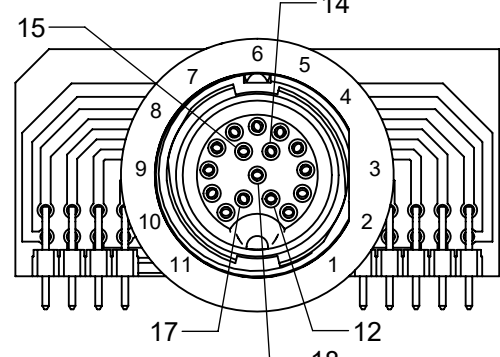
PIN IDENTIFICATION NUMBERS DENOTE CONNECTOR POSITION USED



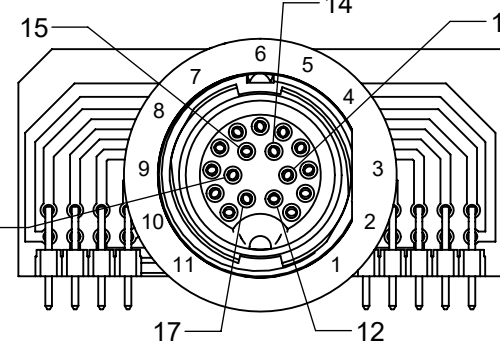
EN3P14FRAPCBW
14 POSITION FEMALE - WIDE PCB



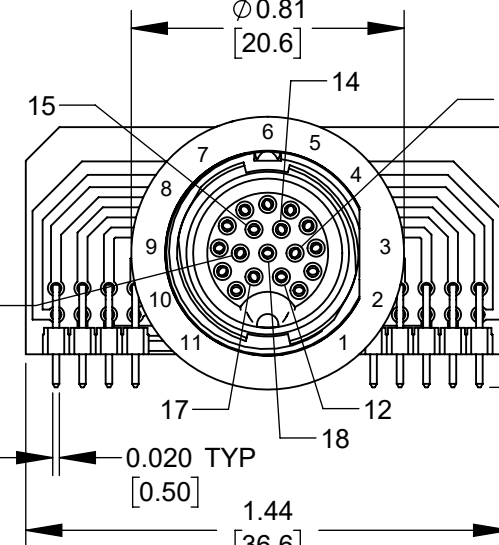
EN3P15FRAPCBW
15 POSITION FEMALE - WIDE PCB



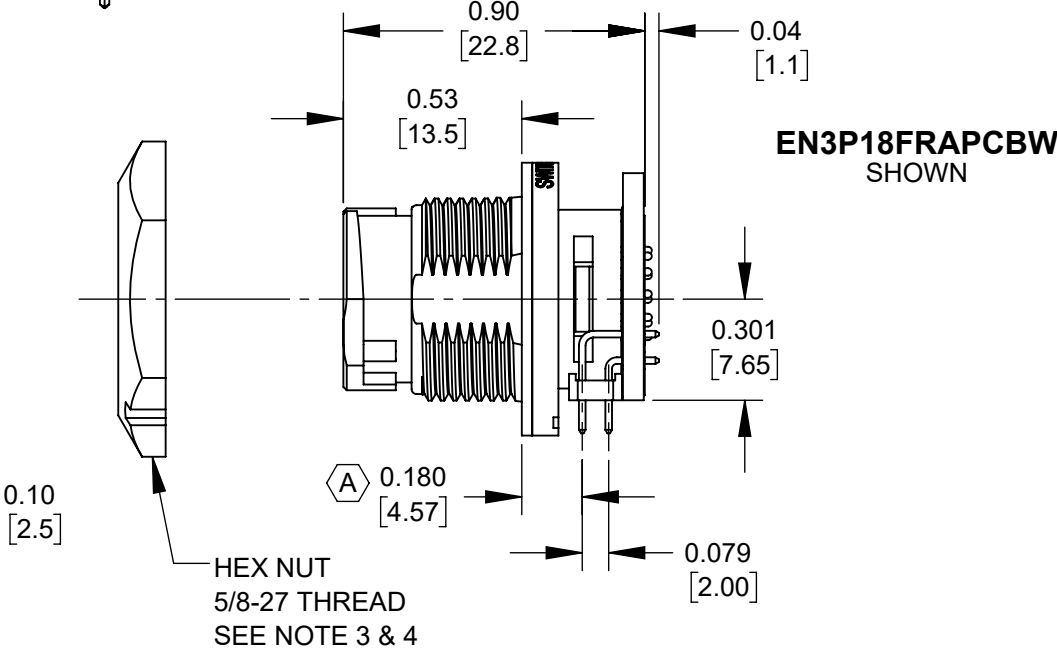
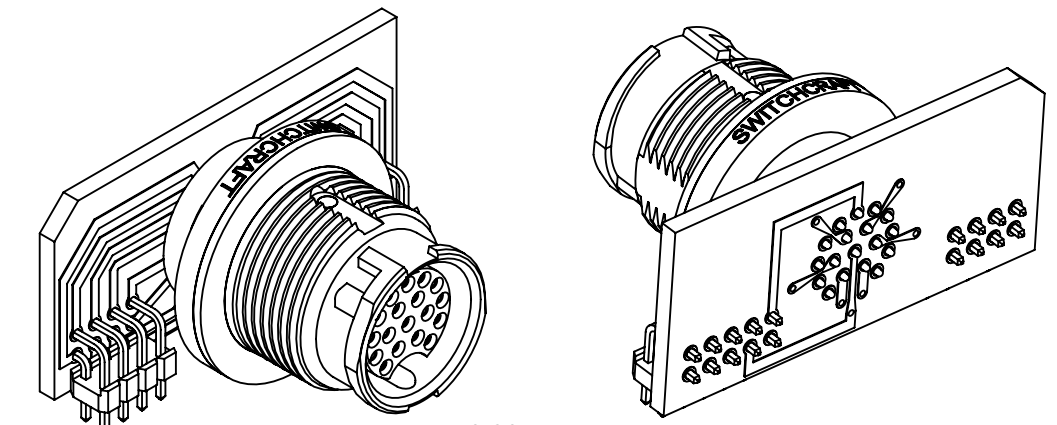
EN3P16FRAPCBW
16 POSITION FEMALE - WIDE PCB



EN3P17FRAPCBW
17 POSITION FEMALE - WIDE PCB

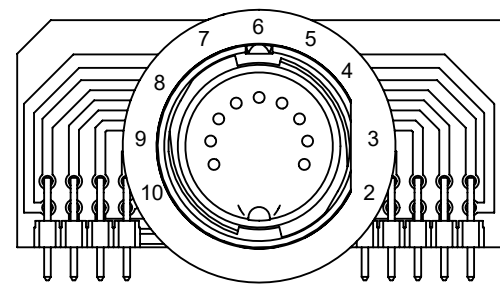


EN3P18FRAPCBW
18 POSITION FEMALE - WIDE PCB

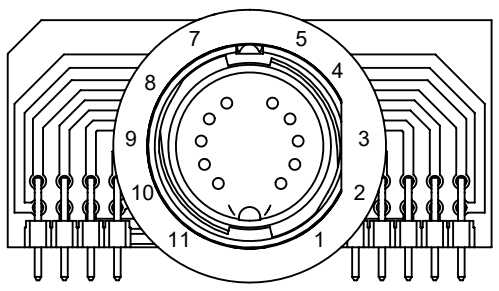


HEX NUT
5/8-27 THREAD
SEE NOTE 3 & 4

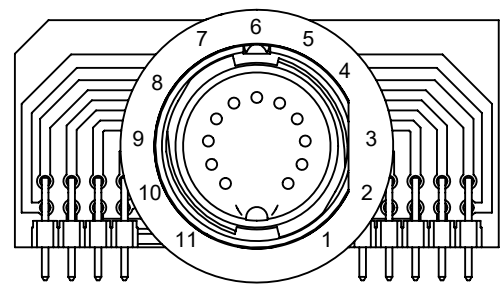
EN3P18FRAPCBW
SHOWN



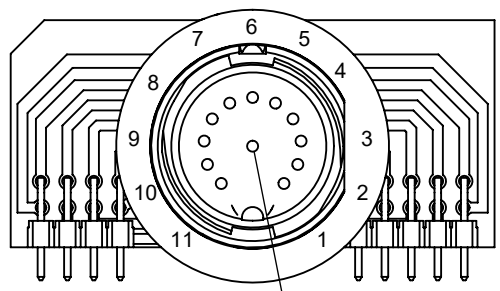
EN3P9MRAPCBW
9 POSITION MALE - WIDE PCB



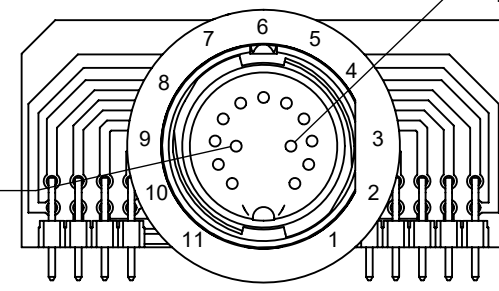
EN3P10MRAPCBW
10 POSITION MALE - WIDE PCB



EN3P11MRAPCBW
11 POSITION MALE - WIDE PCB

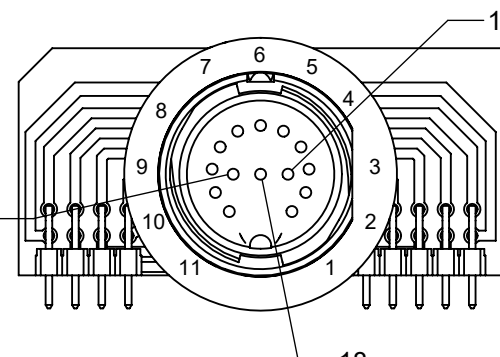


EN3P12MRAPCBW
12 POSITION MALE - WIDE PCB

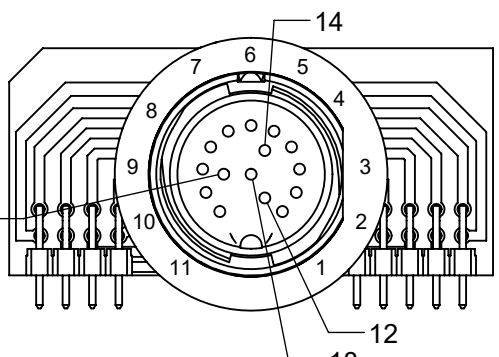


EN3P13MRAPCBW
13 POSITION MALE - WIDE PCB

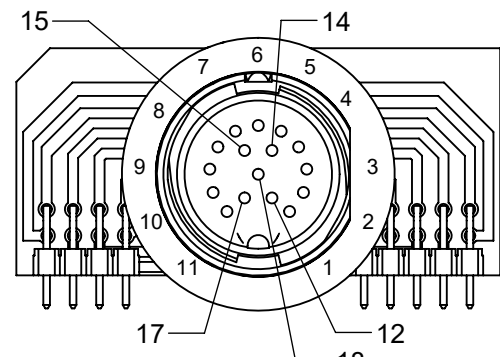
PIN IDENTIFICATION NUMBERS DENOTE CONNECTOR POSITION USED



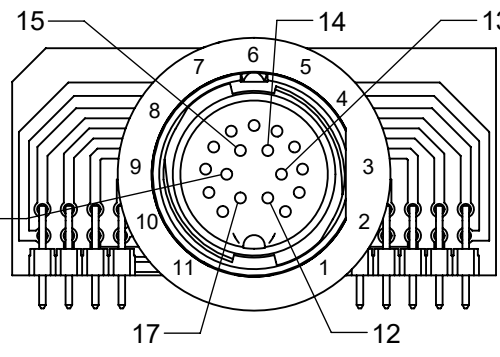
EN3P14MRAPCBW
14 POSITION MALE - WIDE PCB



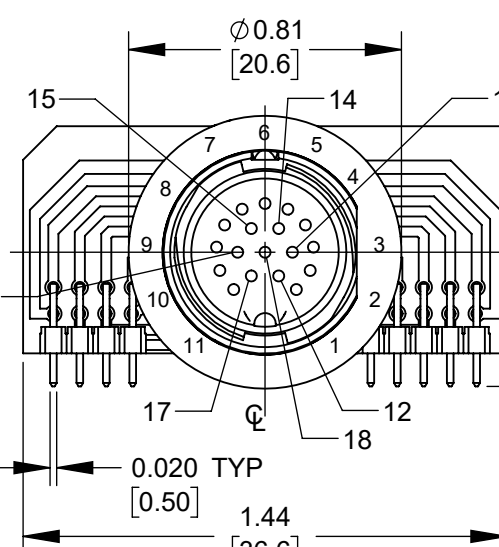
EN3P15MRAPCBW
15 POSITION MALE - WIDE PCB



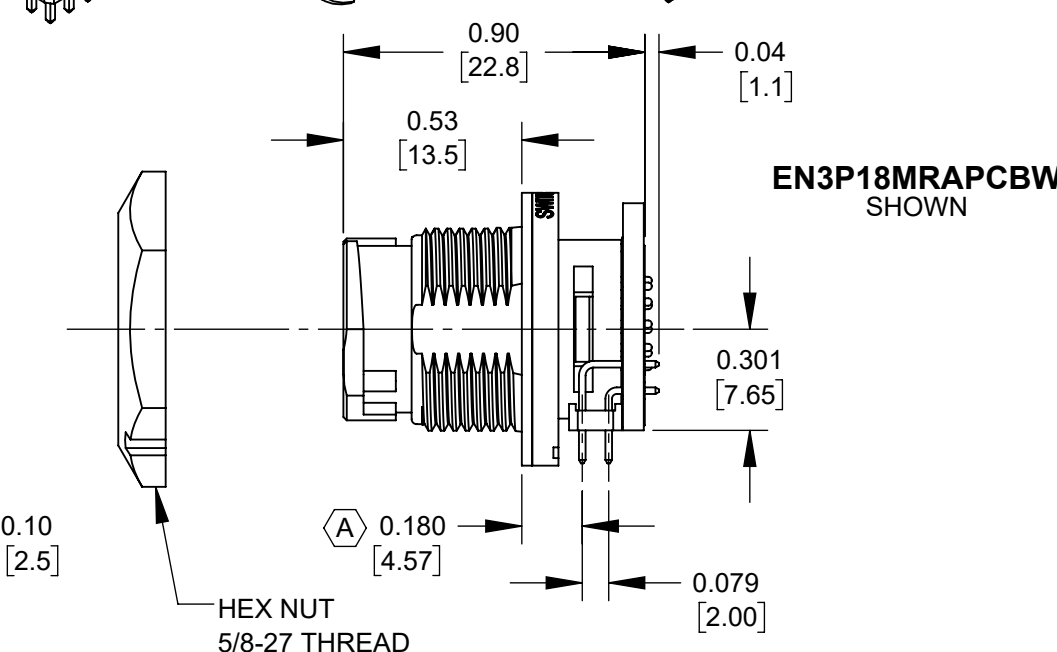
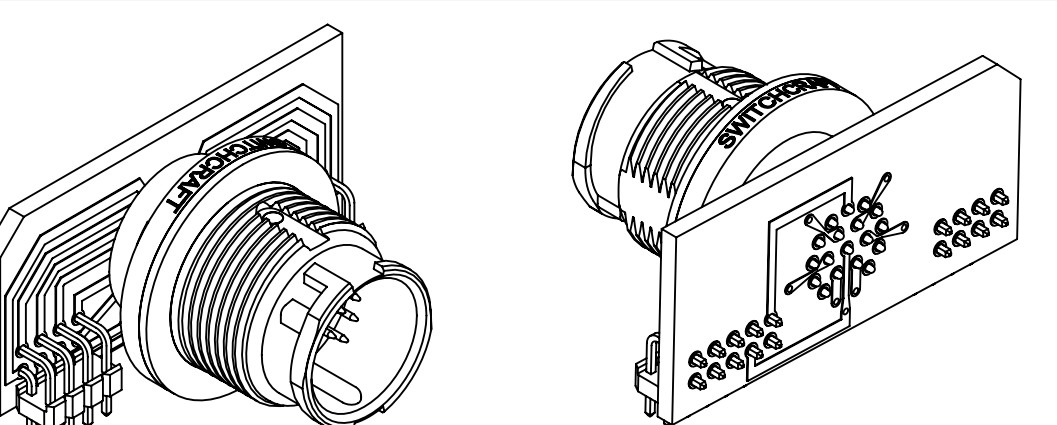
EN3P16MRAPCBW
16 POSITION MALE - WIDE PCB



EN3P17MRAPCBW
17 POSITION MALE - WIDE PCB

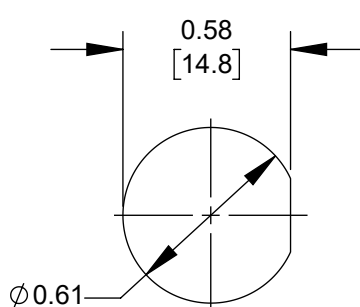


EN3P18MRAPCBW
18 POSITION MALE - WIDE PCB

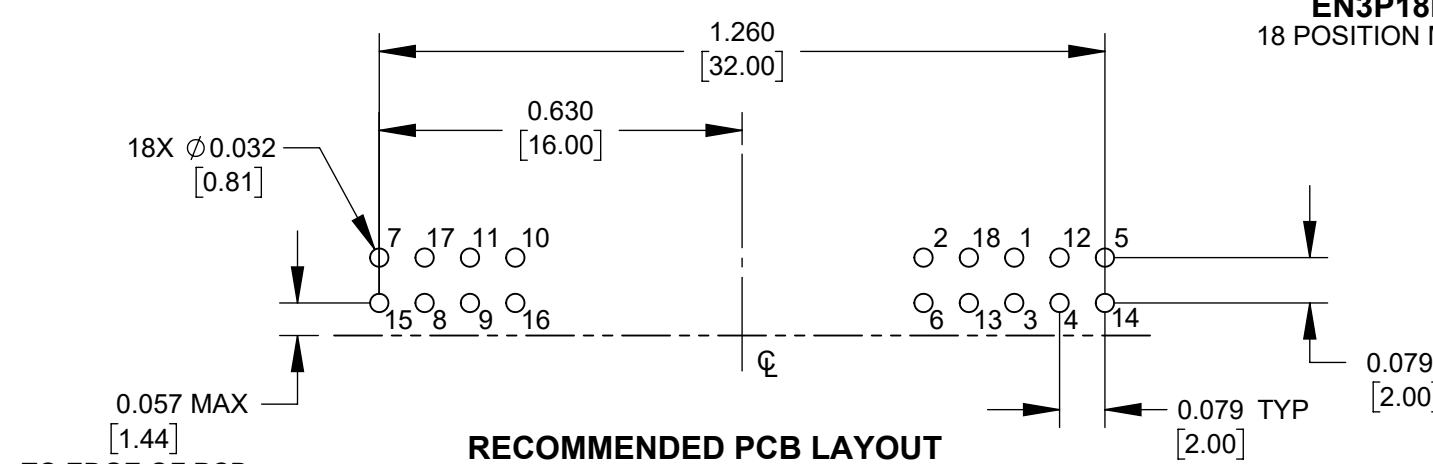


HEX NUT
5/8-27 THREAD
SEE NOTE 3 & 4

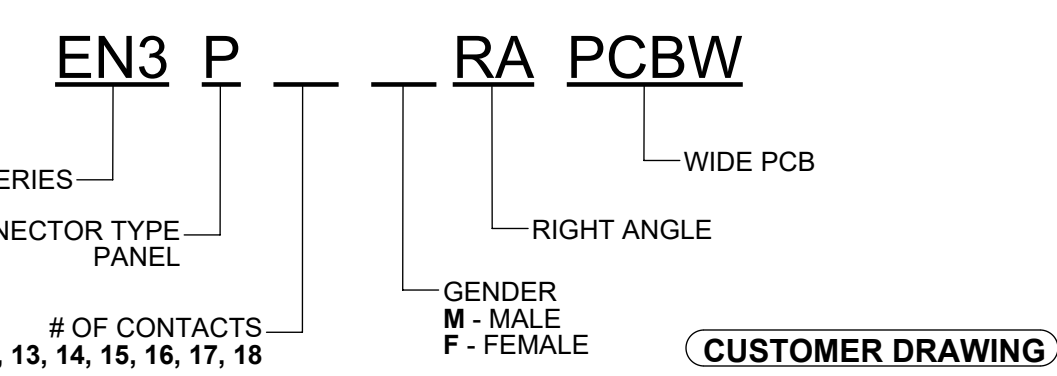
EN3P18MRAPCBW
SHOWN



**RECOMMENDED
PANEL CUT-OUT**
SEE NOTE 2



**RECOMMENDED PCB LAYOUT
COMPONENT SIDE**
NUMBERS INDICATE CONNECTOR
PIN POSITION, NOT PIN COUNT
SEE NOTE 1



CUSTOMER DRAWING

- NOTES:**
- ALL HOLES REQUIRED REGARDLESS OF NUMBER OF POSITIONS OF CONNECTOR.
 - MAXIMUM PANEL THICKNESS RECOMMENDED: 0.188 [4.78mm]
 - HEX NUT SHIPPED UNASSEMBLED.
 - HEX NUT TIGHTENING TORQUE: 8-10 IN/LB
 - CURRENT RATING: 2.0 AMP
 - TEMPERATURE RATING: -40°C TO +65°C (-40°F TO +149°F)
 - MATERIALS:
PANEL CONNECTOR SHELL, LOCKING DISC - THERMOPLASTIC, UL94V-0
CONNECTOR SHELL INTERIOR - THERMOPLASTIC ELASTOMER, UL94HB
CONTACTS AND HEADER TERMINALS - COPPER ALLOY, GOLD PLATE
HEADER INSULATOR - THERMOPLASTIC, UL94V-0
PRINTED CIRCUIT BOARD - FR-4
 - THIS PRODUCT IS RoHS COMPLIANT.

REV	ECO NUMBER	DATE	BY	APVD
A	28776	12/11/25	PC	TJK
REVISIONS				

UNLESS OTHERWISE SPECIFIED
1. ALL DIMENSIONS IN INCHES [mm]
- TWO PLACE DECIMALS ±0.02 [0.5]
- THREE PLACE DECIMALS ±0.005 [0.13]

DO NOT SCALE DRAWING

THIS DRAWING DESCRIBES A DESIGN CONSIDERED PROPRIETARY IN NATURE, DEVELOPED AND MANUFACTURED BY SWITCHCRAFT INC. AND IS RELEASED ON A CONFIDENTIAL BASIS FOR IDENTIFICATION PURPOSES ONLY.				
SIZE	WIDTH	MULT	LBS/M	TEMPER
FINISH SPEC No.		MATERIAL SPEC No.		
DATE DRAWN	BY	CHKD	APVD	
2/7/13	JGK	3/1/13	10/10/25	
NAME			PART No.	REV
EN3P FEMALE & MALE, RIGHT ANGLE PANEL CONNECTOR, WIDE PCB, RoHS			EN3P9-18_RAPCBW	A
SHEET 1 OF 1				