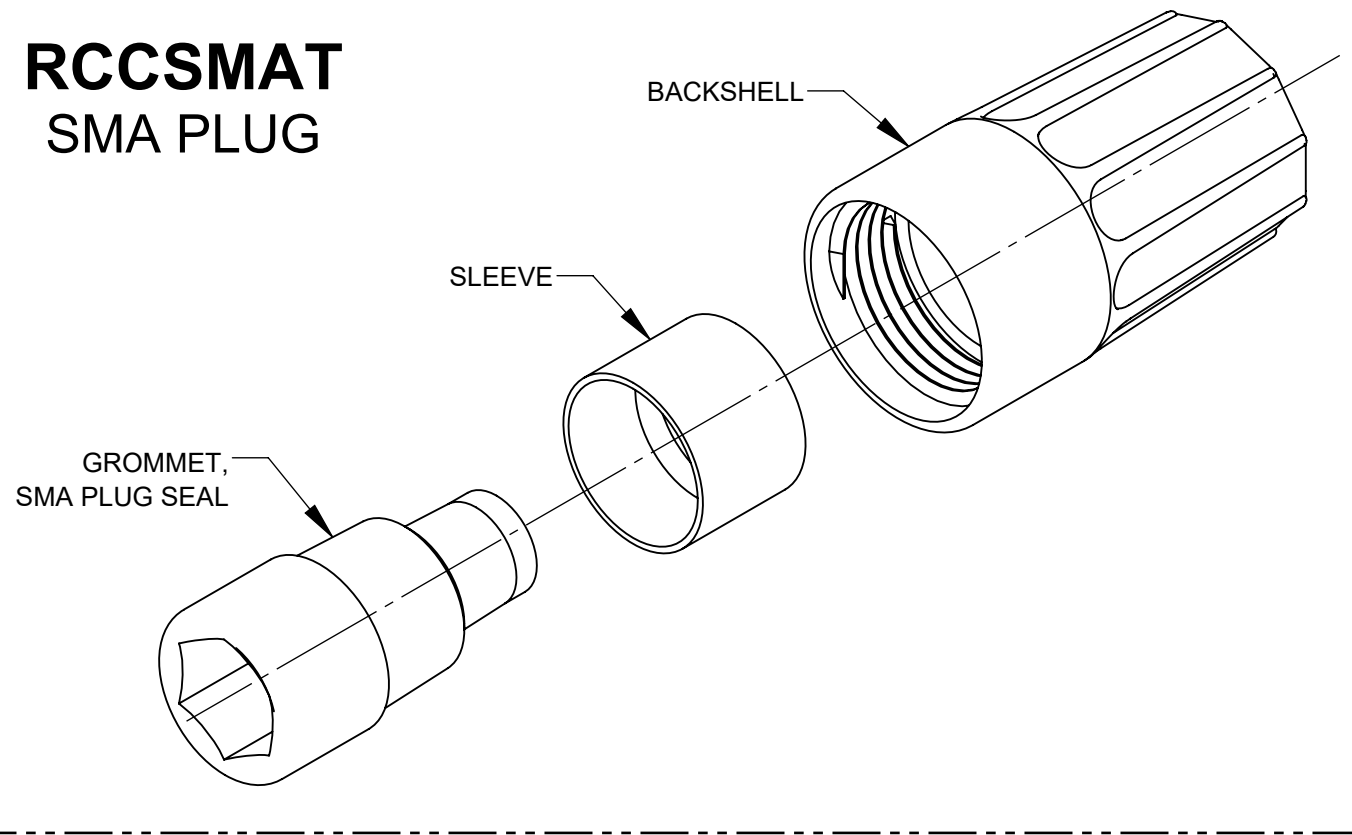
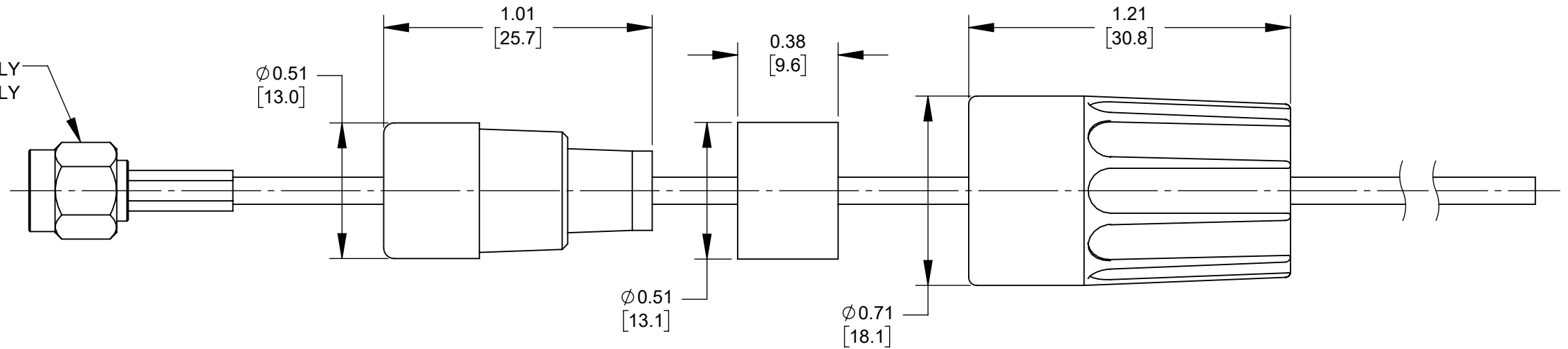


RCCSMAT SMA PLUG



TYPICAL SMA PLUG RG316 CABLE ASSEMBLY
CUSTOMER SUPPLIED OR SOLD SEPARATELY



ALL DIMENSIONS ARE REFERENCE ONLY

NOTES:

- PARTS SUPPLIED UNASSEMBLED.
- RCCSMAT TO BE USED TO SEAL SMA PLUG RG316 CABLE ASSEMBLIES.
- RCCSMAT MATERIAL:
BACKSHELL - THERMOPLASTIC, BLACK
SLEEVE - THERMOPLASTIC, DARK GRAY
GROMMET - TPE, BLACK
- THIS PRODUCT IS RoHS COMPLIANT.

CUSTOMER DRAWING

REV	ECO NUMBER	DATE	BY	APVD
A	28773	10/23/25	PC	TJK
REVISIONS				

STAR SYMBOL DENOTES CRITICAL DIMENSION	
UNLESS OTHERWISE SPECIFIED	
1. ALL DIMENSIONS IN INCHES [mm]	
- TWO PLACE DECIMALS ±0.02 [0.5]	
- THREE PLACE DECIMALS ±0.005 [0.13]	
DO NOT SCALE DRAWING	

THIS DRAWING DESCRIBES A DESIGN CONSIDERED PROPRIETARY IN NATURE, DEVELOPED AND MANUFACTURED BY SWITCHCRAFT INC. AND IS RELEASED ON A CONFIDENTIAL BASIS FOR IDENTIFICATION PURPOSES ONLY.									
SIZE	WIDTH	MULT	LBS/M	TEMPER					
FINISH					MATERIAL				
SPEC No.					SPEC No.				
FIRST USED ON				SCALE					
				2:1					
DATE DRAWN	BY	CHKD	APVD						
1/17/2024	SRC	SRC	PNK						
			1/17/2024	09/11/25					
NAME BACKSHELL KIT FOR SEALED SMA RG316 CABLE ASSEMBLY, RoHS								PART No.	
								RCCSMAT	
								REV	
								A	