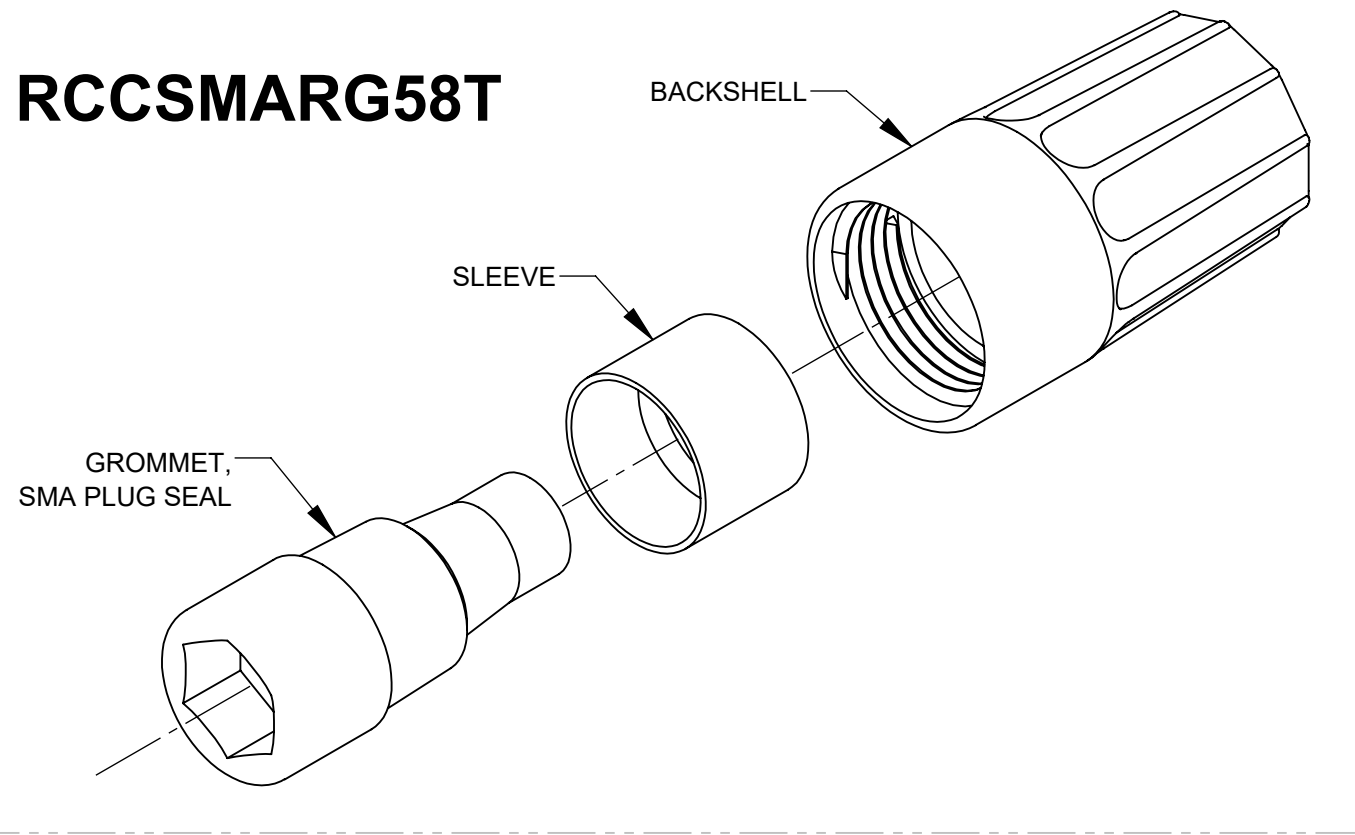
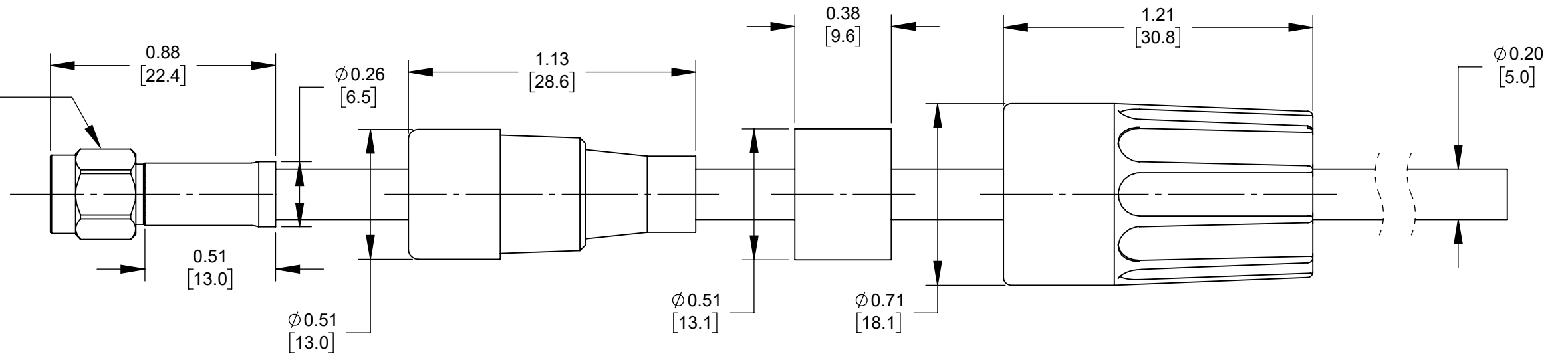


RCCSMARG58T



PRELIMINARY

TYPICAL SMA PLUG RG-58 CABLE ASSEMBLY
CUSTOMER SUPPLIED OR SOLD SEPARATELY



ALL DIMENSIONS ARE REFERENCE ONLY

NOTES:

1. PARTS SUPPLIED UNASSEMBLED.
2. RCCSMARG58T TO BE USED TO SEAL SMA PLUG RG-58 CABLE ASSEMBLIES.
3. RCCSMARG58T MATERIAL:
BACKSHELL - THERMOPLASTIC, BLACK
SLEEVE - THERMOPLASTIC, DARK GRAY
GROMMET - TPE, BLACK
4. THIS PRODUCT IS RoHS COMPLIANT.

CUSTOMER DRAWING

REV	ECO NUMBER	DATE	BY	APVD
0B	P-20022C-1	7/31/25	PNK	BDS
REVISIONS				

STAR SYMBOL DENOTES CRITICAL DIMENSION

UNLESS OTHERWISE SPECIFIED

1. ALL DIMENSIONS IN INCHES [mm]
- TWO PLACE DECIMALS ±0.02 [0.5]
- THREE PLACE DECIMALS ±0.005 [0.13]

DO NOT SCALE DRAWING

THIS DRAWING DESCRIBES A DESIGN CONSIDERED PROPRIETARY IN NATURE, DEVELOPED AND MANUFACTURED BY SWITCHCRAFT INC. AND IS RELEASED ON A CONFIDENTIAL BASIS FOR IDENTIFICATION PURPOSES ONLY.

SIZE *	WIDTH *	MULT *	LBS/M *	TEMPER *
FINISH *				
SPEC No. *				
FIRST USED ON *			SCALE 2:1	
DATE DRAWN	BY	CHKD	APVD	
7/31/25	PNK	PNK	BDS	
		7/31/25	7/31/25	
NAME BACKSHELL KIT FOR SEALED SMA RG-58 CABLE ASSEMBLY, RoHS				PART No.
				RCCSMARG58T
				REV 0A

Switchcraft®

SHEET 1 OF 1