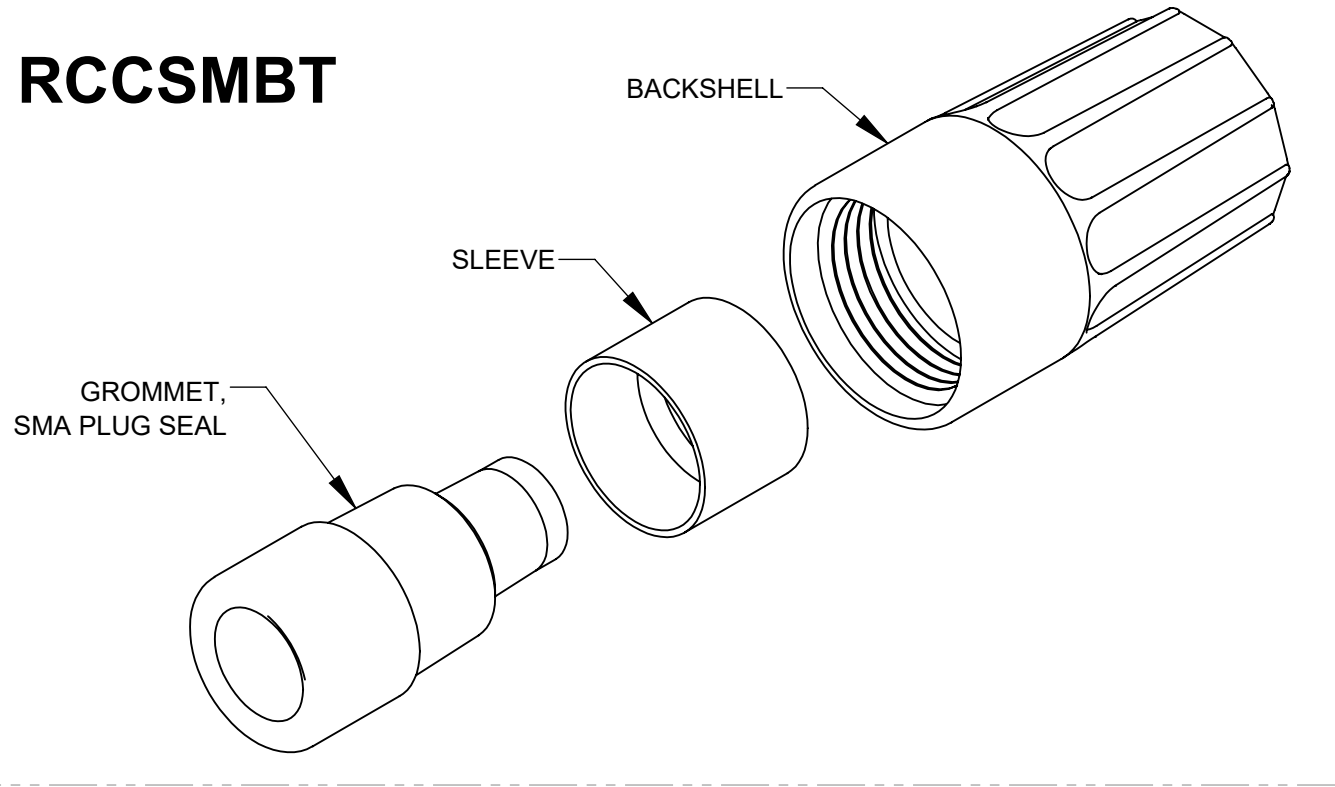
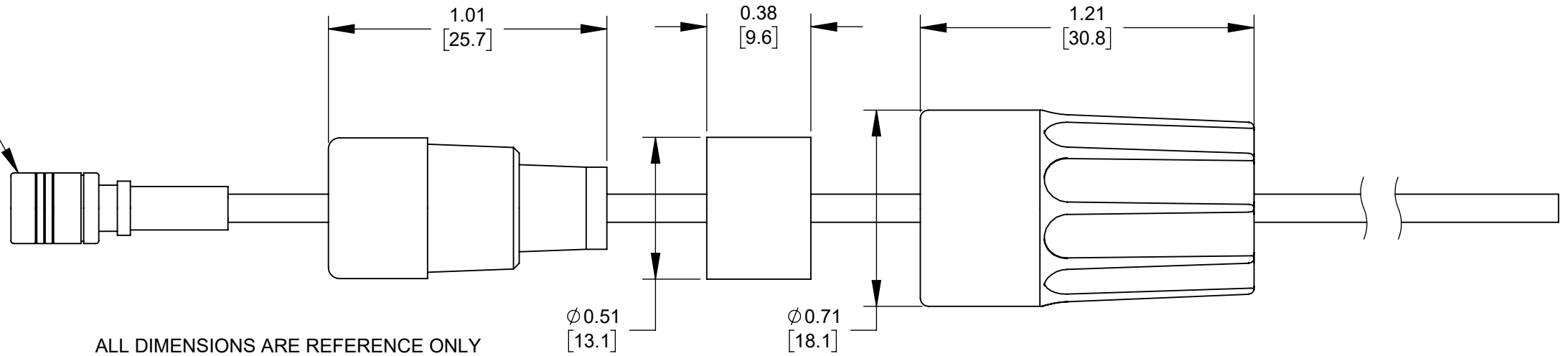


RCCSMBT



TYPICAL SMB PLUG RG316 CABLE ASSEMBLY
CUSTOMER SUPPLIED OR SOLD SEPARATELY



ALL DIMENSIONS ARE REFERENCE ONLY

NOTES:

1. PARTS SUPPLIED UNASSEMBLED.
2. RCCSMBT TO BE USED TO SEAL SMB PLUG RG316 CABLE ASSEMBLIES.
3. RCCSMBT MATERIAL:
BACKSHELL - THERMOPLASTIC, BLACK
SLEEVE - THERMOPLASTIC, DARK GRAY
GROMMET - TPE, BLACK
4. THIS PRODUCT IS RoHS COMPLIANT.

CUSTOMER DRAWING

REV	ECO NUMBER	DATE	BY	APVD
0B	P-20022A-11	4/10/25	PNK	BDS
0A	P-20022A-9 PRE RELEASE	9-19-2024	SRC	SRC

STAR SYMBOL DENOTES CRITICAL DIMENSION

UNLESS OTHERWISE SPECIFIED

1. ALL DIMENSIONS IN INCHES [mm]
- TWO PLACE DECIMALS ±0.02 [0.5]
- THREE PLACE DECIMALS ±0.005 [0.13]

DO NOT SCALE DRAWING

THIS DRAWING DESCRIBES A DESIGN CONSIDERED PROPRIETARY IN NATURE, DEVELOPED AND MANUFACTURED BY SWITCHCRAFT INC. AND IS RELEASED ON A CONFIDENTIAL BASIS FOR IDENTIFICATION PURPOSES ONLY.									
SIZE *	WIDTH *	MULT *	LBS/M *	TEMPER *					
FINISH *					MATERIAL *				
SPEC No. *					SPEC No. *				
FIRST USED ON *					SCALE 2:1				
DATE DRAWN	BY	CHKD	APVD						
9-19-2024	SRC	SRC	SRC						
			9-19-2024	9-19-2024					
NAME BACKSHELL KIT FOR SEALED SMB RG316 CABLE ASSEMBLY, RoHS									
PART No. RCCSMBT								REV 0B	



SHEET 1 OF 1