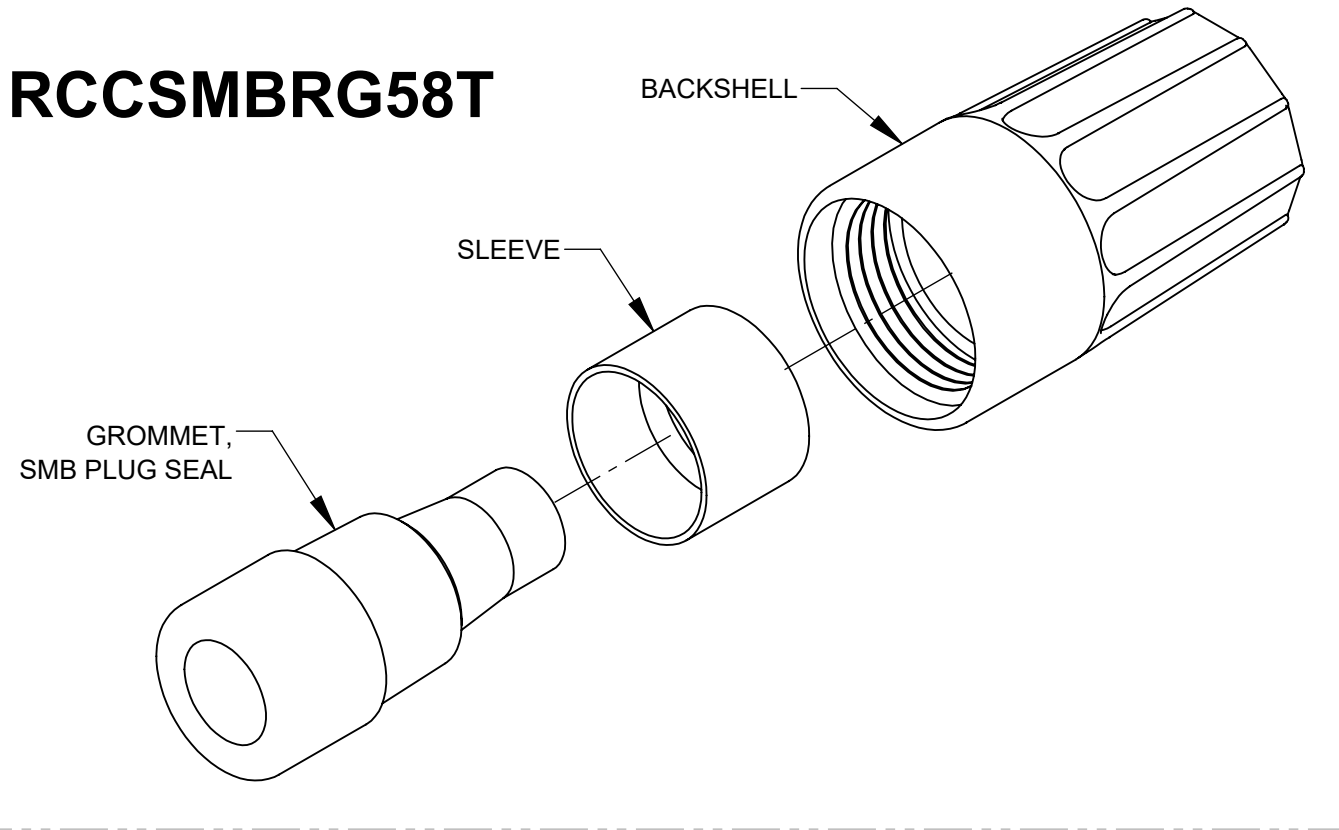
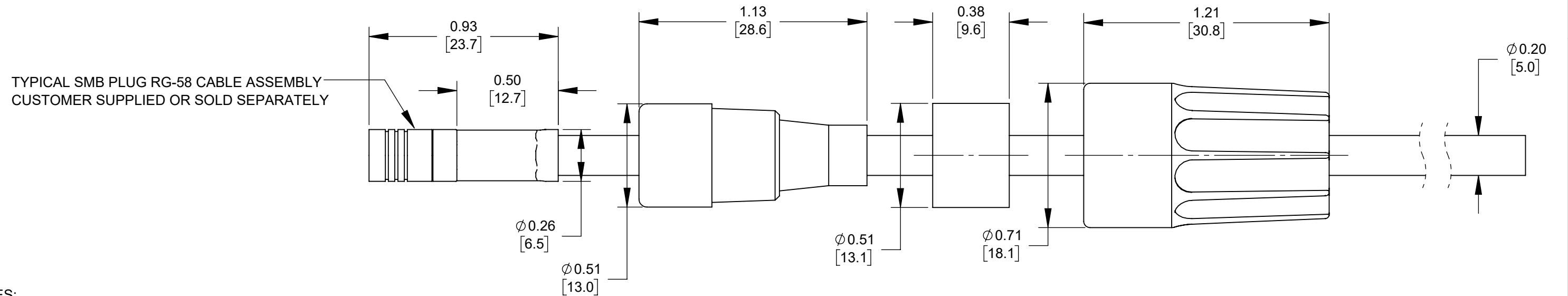


# RCCSMBRG58T



**PRELIMINARY**



ALL DIMENSIONS ARE REFERENCE ONLY

**CUSTOMER DRAWING**

**NOTES:**

1. PARTS SUPPLIED UNASSEMBLED.
2. RCCSMBRG58T TO BE USED TO SEAL SMB PLUG RG-58 CABLE ASSEMBLIES.
3. RCCSMBRG58T MATERIAL:  
 BACKSHELL - THERMOPLASTIC, BLACK  
 SLEEVE - THERMOPLASTIC, DARK GRAY  
 GROMMET - TPE, BLACK
4. THIS PRODUCT IS RoHS COMPLIANT.

REV	ECO NUMBER	DATE	BY	APVD
0B	P-20022C-1	7/31/25	PNK	BDS
REVISIONS				

**STAR SYMBOL DENOTES CRITICAL DIMENSION**

**UNLESS OTHERWISE SPECIFIED**

1. ALL DIMENSIONS IN INCHES [mm]  
 - TWO PLACE DECIMALS ±0.02 [0.5]  
 - THREE PLACE DECIMALS ±0.005 [0.13]

**DO NOT SCALE DRAWING**

THIS DRAWING DESCRIBES A DESIGN CONSIDERED PROPRIETARY IN NATURE, DEVELOPED AND MANUFACTURED BY SWITCHCRAFT INC. AND IS RELEASED ON A CONFIDENTIAL BASIS FOR IDENTIFICATION PURPOSES ONLY.									
SIZE *	WIDTH *	MULT *	LBS/M *	TEMPER *					
FINISH *					MATERIAL *				
SPEC No. *					SPEC No. *				
FIRST USED ON *					SCALE 2:1				
DATE DRAWN	BY	CHKD	APVD						
7/31/25	PNK	PNK	BDS						
		7/31/25	7/31/25						
NAME BACKSHELL KIT FOR SEALED SMB RG-58 CABLE ASSEMBLY, RoHS								PART No. RCCSMBRG58T	
								REV 0A	



SHEET 1 OF 1