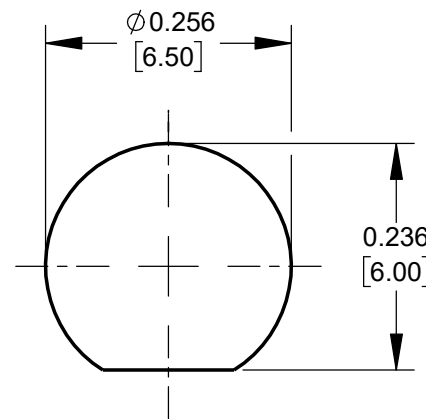


NOTES:

- COMPONENTS ARE SUPPLIED UNASSEMBLED.
- MATERIAL AND FINISH:
 CENTER CONTACT - BeCu, 50 MICRO-INCHES MIN. GOLD.
 INSULATOR - PTFE, NATURAL
 BODY & HARDWARE - BRASS, 3 MICRO-INCHES MIN. GOLD.
- ELECTRICAL SPECIFICATIONS:
 IMPEDANCE: 50 OHM
 VSWR: 1.25 MAX @ DC-18 GHz
 DIELECTRIC WITHSTAND VOLTAGE: 1000 VRMS
 CENTER CONTACT RESISTANCE: 3 mOHM MAX
 OUTER CONTACT RESISTANCE: 2.5 mOHM MAX
 INSULATION RESISTANCE: 5000 MOHM
 RETURN LOSS: -20 dB MAX @DC-18 GHz
- MECHANICAL SPECIFICATIONS:
 FORCE TO ENGAGE/DISENGAGE : 2 IN-LBS MAX / 2 IN-LBS MAX.
 CONTACT RETENTION: 6 LBS MIN
 INSULATION RETENTION: 6 LBS MIN
- THIS PRODUCT IS RoHS COMPLIANT.



RECOMMENDED PANEL MOUNTING HOLE

CUSTOMER DRAWING

					THIS DRAWING DESCRIBES A DESIGN CONSIDERED PROPRIETARY IN NATURE, DEVELOPED AND MANUFACTURED BY SWITCHCRAFT INC. AND IS RELEASED ON A CONFIDENTIAL BASIS FOR IDENTIFICATION PURPOSES ONLY.					
					SIZE	WIDTH	MULT	LBS/M	TEMPER	
					FINISH			MATERIAL		
					SPEC No.			SPEC No.		
					FIRST USED ON		SCALE			
					SEALED SMA		5:1			
					DATE DRAWN	BY	CHKD	APVD		
					3-7-2024	SRC	SRC	SRC		
							3-7-2024	3-7-2024		
					NAME				PART No.	REV
					SMA FEED-THRU COUPLER, RoHS				SMAS2BH	A
A	28773	10-23-25	PC	TJK						
REV	ECO NUMBER	DATE	BY	APVD						
REVISIONS					DO NOT SCALE DRAWING					