

CUSTOMER PRINT

PART NUMBER: W6282-XPG-P-5XX

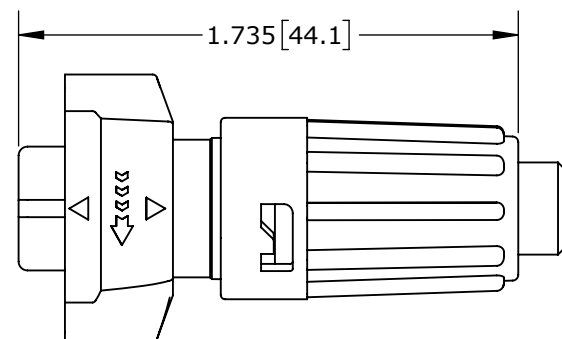
**NOTES:**

1. ALL PARTS TO BE BULK PACKED.
2. SEE DRAWING HPMISTD FOR HOLE PATTERN.
3. ALL DIMENSIONS ARE REFERENCE ONLY. DIMENSIONS IN [ ] ARE METRIC.

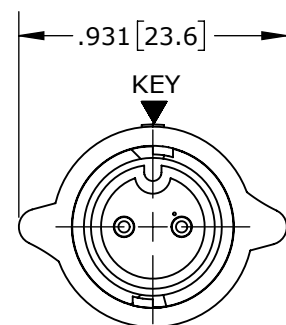
CABLE-END CONNECTOR P/N	CONTACTS
W6282-2PG-P-5XX	2 #20
W6282-3PG-P-5XX	3 #20
W6282-4PG-P-5XX	4 #20
W6282-5PG-P-5XX	5 #20
W6282-6PG-P-5XX	6 #20
W6282-XPG-P-5XX	

GROMMET SIZE

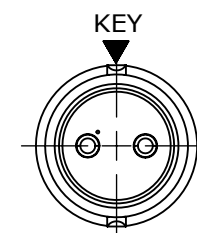
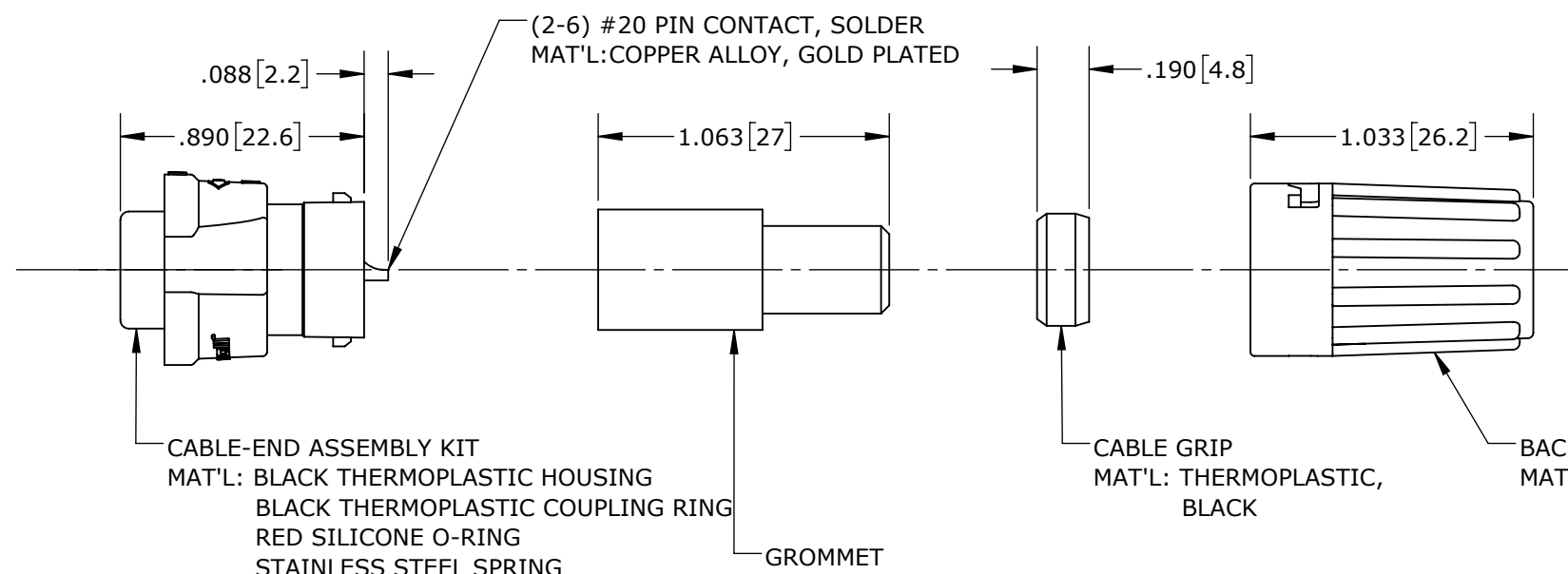
NUMBER OF CONTACTS



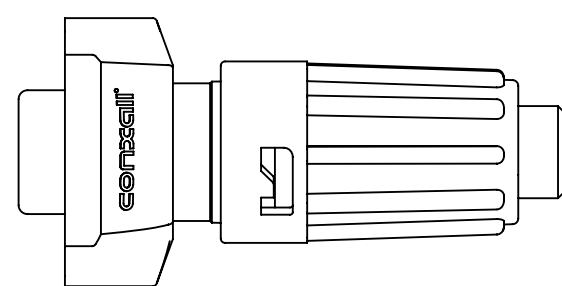
**SHOWN ASSEMBLED KIT**  
ASSY: W6282-2PG-P-5XX SHOWN



**MATING FACE**  
ASSY: W6282-2PG-P-5XX SHOWN



**WIRING END**  
ASSY: W6282-2PG-P-5XX SHOWN WITHOUT HARDWARE



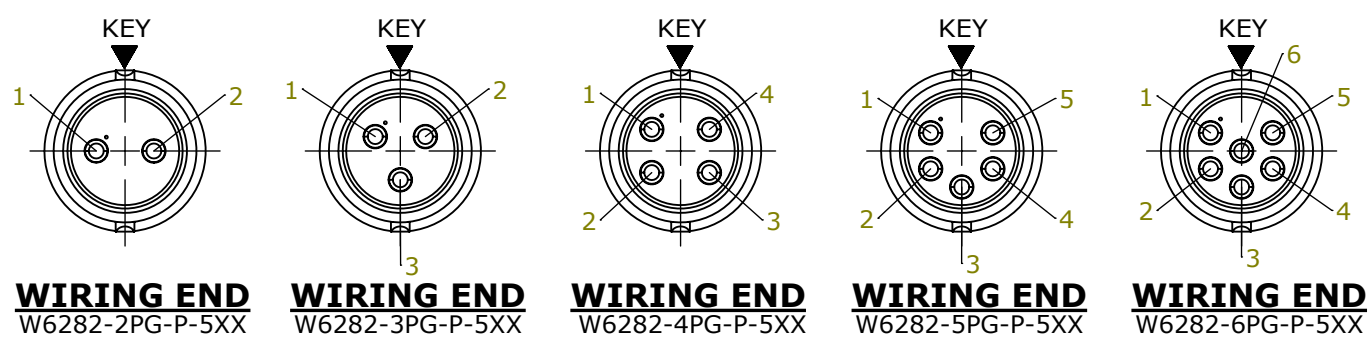
**SHOWN ASSEMBLED KIT**  
ASSY: W6282-2PG-P-5XX SHOWN

**CUSTOMER APPROVAL**

THIS DOCUMENT CONTAINS CONFIDENTIAL INFORMATION PROPRIETARY TO CONXALL CORPORATION. ANY REPRODUCTION, DISCLOSURE, OR USE OF THIS DOCUMENT / INFORMATION IS EXPRESSLY PROHIBITED UNLESS AUTHORIZED IN WRITING BY CONXALL CORPORATION.

APPROVED BY: \_\_\_\_\_

DATE: \_\_\_\_\_



**WIRING END** W6282-2PG-P-5XX  
**WIRING END** W6282-3PG-P-5XX  
**WIRING END** W6282-4PG-P-5XX  
**WIRING END** W6282-5PG-P-5XX  
**WIRING END** W6282-6PG-P-5XX

**RoHS COMPLIANT**

0A	PNK	01-15-18	PDR 16014
REV.	INIT.	DATE	DESCRIPTION
			ORIG. DRAWN BY: PNK DATE: 01-15-18
ALL INFORMATION ILLUSTRATED IS THE PROPERTY OF CONXALL CORPORATION. UNAUTHORIZED DUPLICATION OR DISTRIBUTION OF THIS DOCUMENT IS PROHIBITED.			<p>601 E. WILDWOOD VILLA PARK, IL 60181</p>
ALL UNITS ARE IN FEET, INCHES, FRACTION OF INCHES AND DECIMALS. UNLESS OTHERWISE SPECIFIED TOLERANCES: 3 PLACE DECIMALS ±0.010 ANGLES ±1° FRACTIONS ±1/16			
APPROVED BY:			TITLE: CABLE-END ASSEMBLY 2-6 #20 PIN CONTACTS, SOLDER INSTA-CLICK™ MINI-CON-X
SCALE: NTS	SIZE: B	SHEET: 1 OF 1	CUSTOMER: STANDARD PRODUCT
FILE: W6282-XPG-P-5XX	DIRECTORY: SLW	PART NUMBER: W6282-XPG-P-5XX	REV: 0A