

CUSTOMER PRINT

PART NUMBER: W788X-XPG-P-3XX_CD

- NOTES:
1. CRIMP CONTACTS SUPPLIED UNASSEMBLED AND WITHOUT EPOXY BACKING.
 2. HEX-NUT TORQUE: 8-10 IN-LB.
 3. DIMENSIONS ARE REFERENCE ONLY, IN INCHES [mm], WITHIN ±0.015 UNLESS OTHERWISE NOTED.

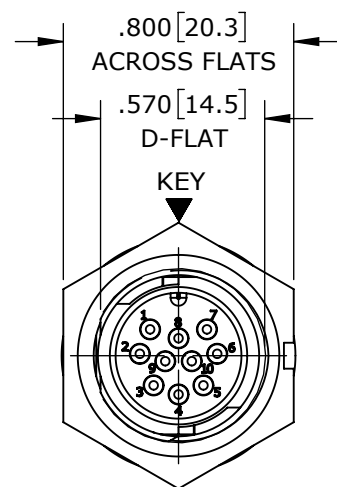
PANEL-MOUNT CONNECTOR PART NUMBERS:

W 7 8 8 X - X P G - P - 3XX

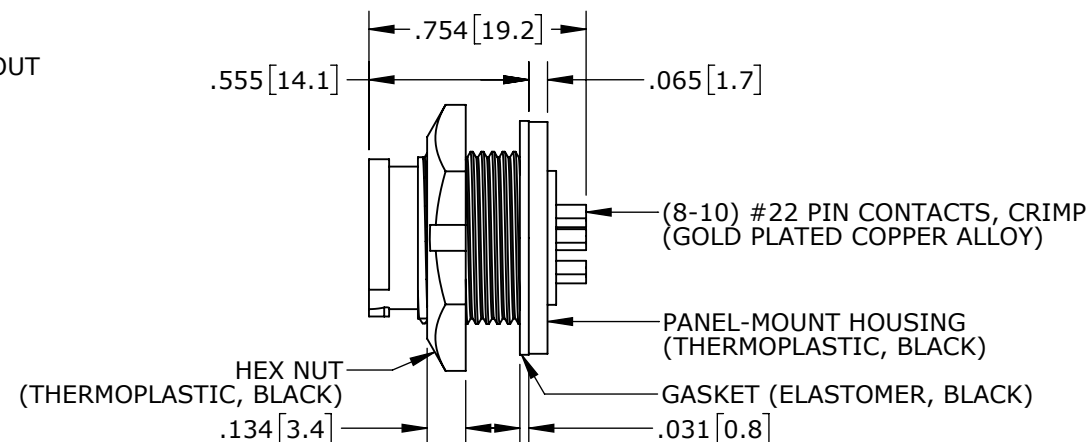
CONTACTS STYLE:
 0 = CRIMP
 2 = SOLDER
 3 = PC TAIL

OF CONTACTS:
 8-10 #22 PINS

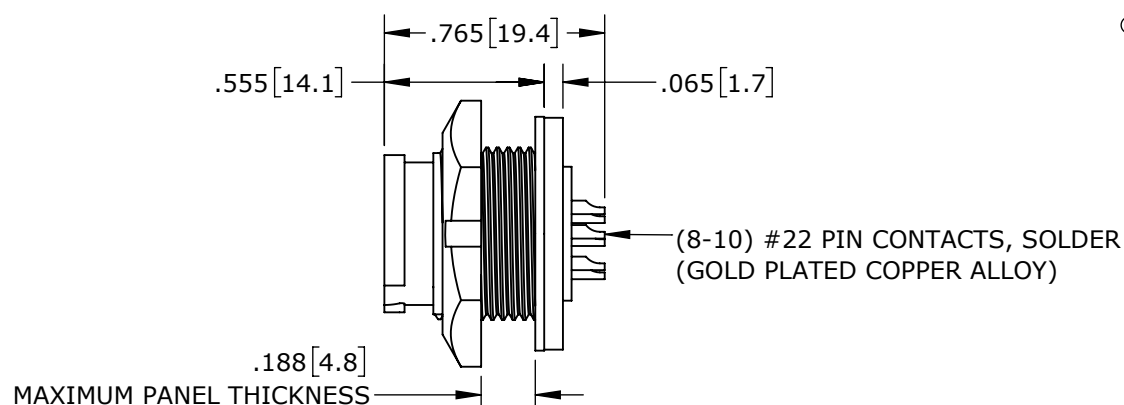
EPOXY BACKING:
 3ES = WITH EPOXY
 300 = WITHOUT EPOXY



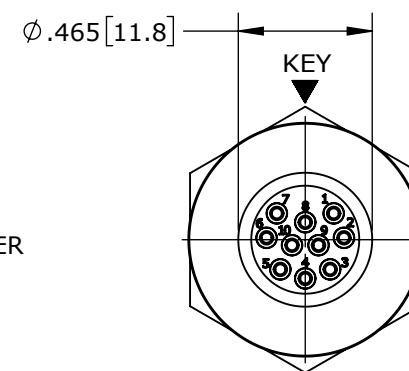
MATING FACE
 W7882-10PG-P-300 SHOWN



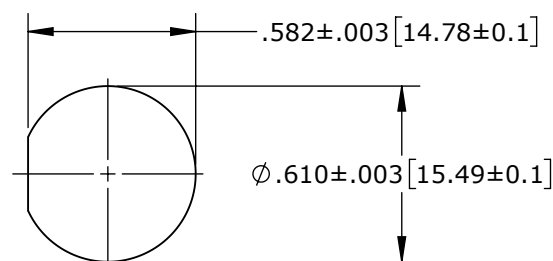
CRIMP CONTACTS (SHOWN ASSEMBLED)
 W7880-10PG-P-300 SHOWN



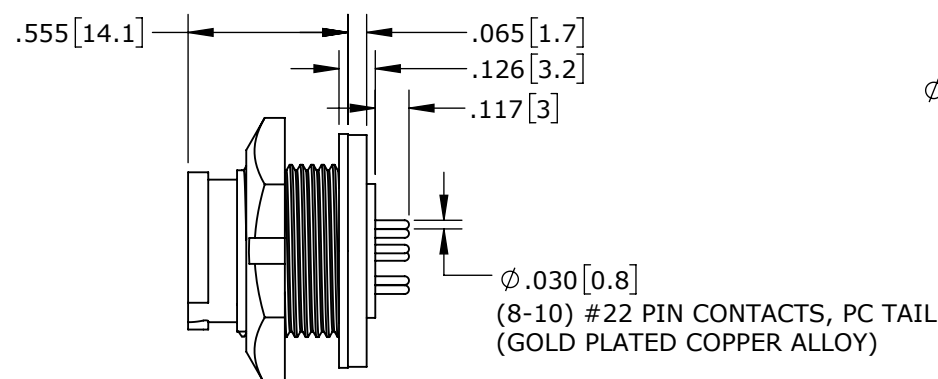
SOLDER CONTACTS
 W7882-10PG-P-300 SHOWN



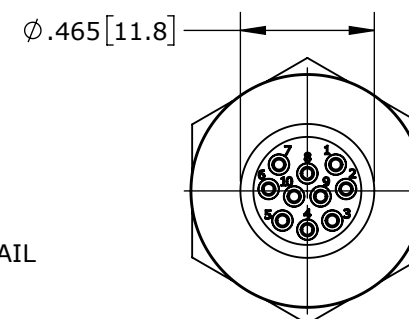
WIRING END
 W7882-10PG-P-300 SHOWN



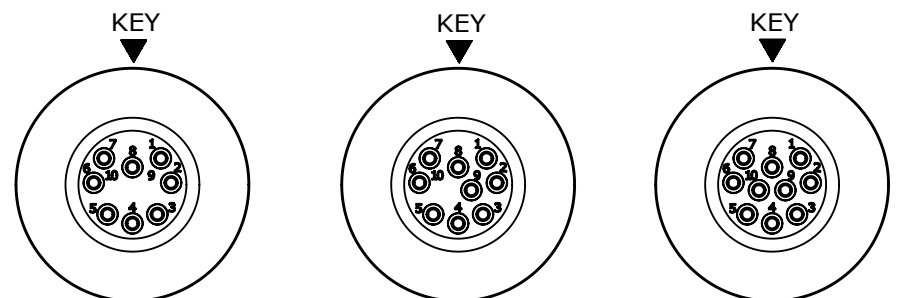
RECOMMENDED PANEL CUTOUT



PC TAIL CONTACTS
 W7883-10PG-P-3ES SHOWN



WIRING END
 W7882-10PG-P-300 SHOWN



W7882-8PG-P-300 W7882-9PG-P-300 W7882-10PG-P-300

CONTACT ARRANGEMENTS (WIRING END SHOWN)

CUSTOMER APPROVAL

THIS DOCUMENT CONTAINS CONFIDENTIAL INFORMATION PROPRIETARY TO CONXALL CORPORATION. ANY REPRODUCTION, DISCLOSURE, OR USE OF THIS DOCUMENT / INFORMATION IS EXPRESSLY PROHIBITED UNLESS AUTHORIZED IN WRITING BY CONXALL CORPORATION.

APPROVED BY: _____
 DATE: _____

RoHS COMPLIANT

0A	PNK	03-15-18	PDR16014
REV.	INIT.	DATE	DESCRIPTION
			ORIG. DRAWN BY: PNK DATE: 03-15-18
ALL INFORMATION ILLUSTRATED IS THE PROPERTY OF CONXALL CORPORATION. UNAUTHORIZED DUPLICATION OR DISTRIBUTION OF THIS DOCUMENT IS PROHIBITED.			<p>601 E. WILDWOOD VILLA PARK, IL 60181</p>
ALL UNITS ARE IN FEET, INCHES, FRACTION OF INCHES AND DECIMALS.			
APPROVED BY:		TITLE: PANEL-MOUNT CONNECTOR	
SCALE: NTS		8-10 #22 PIN CONTACTS	
SIZE: B		INSTA-CLICK™ MINI-CON-X	
SHEET: 1 OF 1		CUSTOMER: STANDARD PRODUCT	
FILE: W788X-XPG-P-3XX_CD	DIRECTORY: SLW	PART NUMBER: W788X-XPG-P-3XX	REV 0A