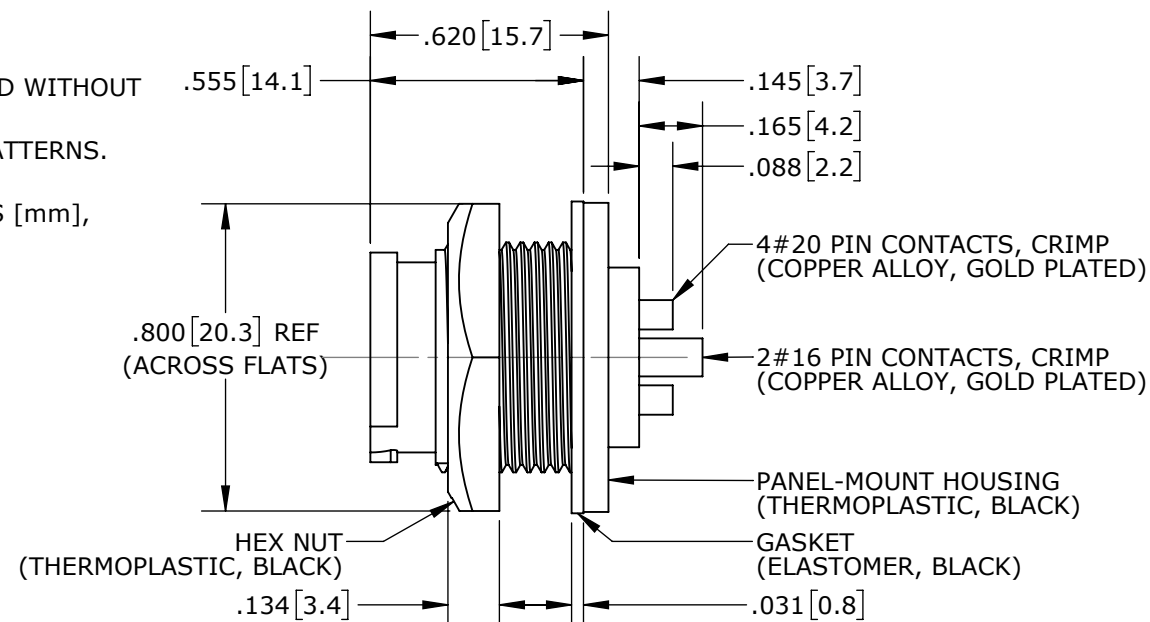


CUSTOMER PRINT

PART NUMBER: W7C8X-6PG-P-3XX_CD

- NOTES:
1. CRIMP CONTACTS SUPPLIED UNASSEMBLED AND WITHOUT EPOXY BACKING.
 2. REFER TO DRAWING HPMIMIX FOR CONTACT PATTERNS.
 3. HEX-NUT TORQUE: 8-10 IN-LB.
 4. DIMENSIONS ARE REFERENCE ONLY, IN INCHES [mm], WITHIN ±0.015 UNLESS OTHERWISE NOTED.



CRIMP CONTACTS (SHOWN ASSEMBLED)
W7C80-6PG-P-300 SHOWN

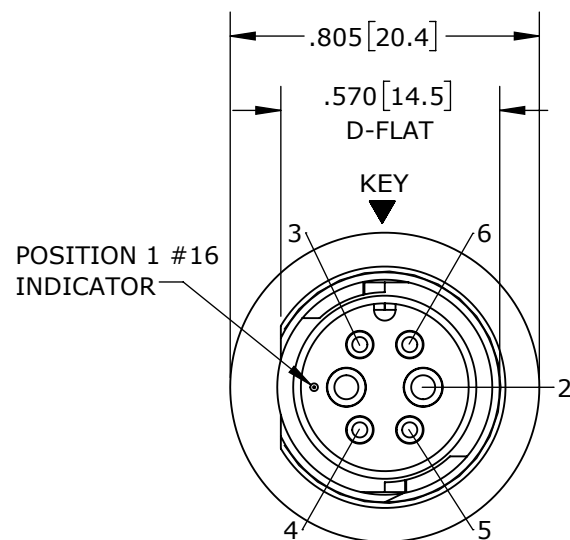
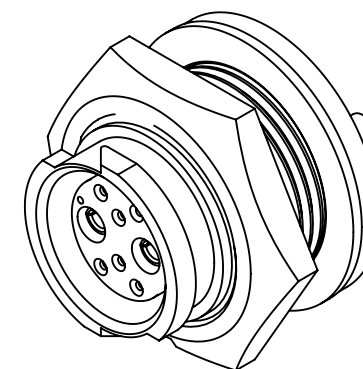
PANEL-MOUNT CONNECTOR PART NUMBERS:

W7C8X-6PG-P-3XX

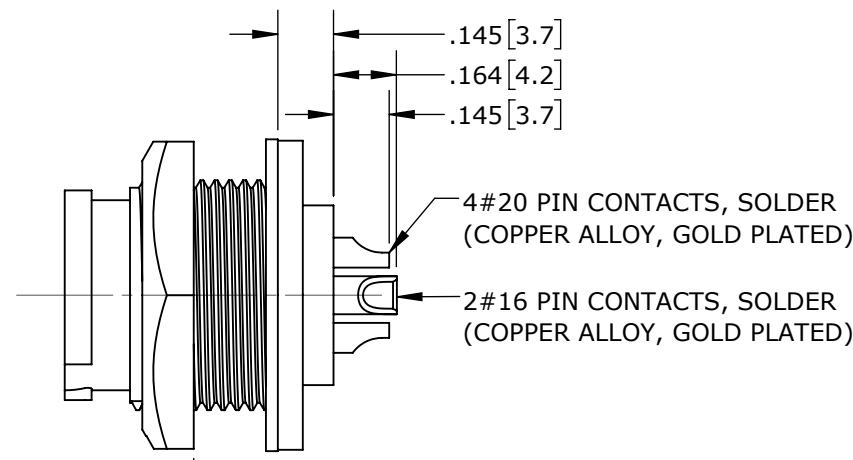
MIXED CONTACTS:
C = 2 #16 + 4 #20

CONTACTS STYLE:
0 = CRIMP
2 = SOLDER
1 = PC TAIL

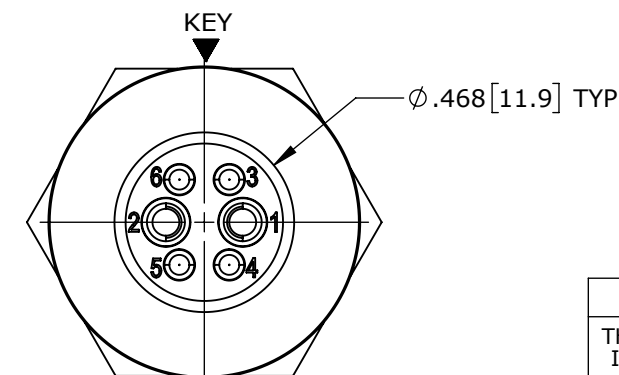
EPOXY BACKING:
3ES = WITH EPOXY
300 = WITHOUT EPOXY



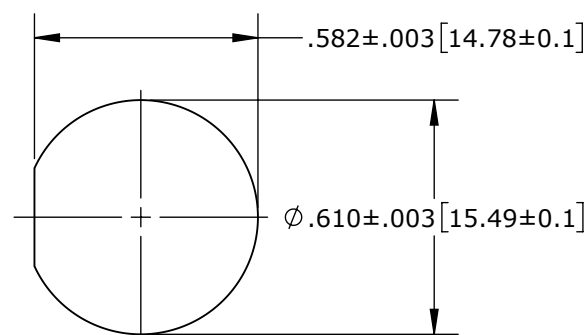
MATING FACE
W7C82-6PG-P-300 SHOWN



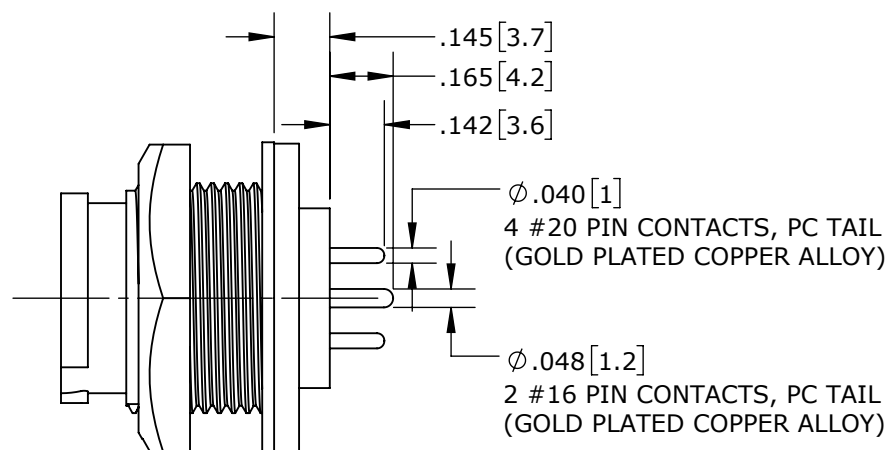
SOLDER CONTACTS
W7C82-6PG-P-300 SHOWN



WIRING END
W7C82-6PG-P-300 SHOWN



RECOMMENDED PANEL CUTOUT



PC TAIL CONTACTS
W7C81-6PG-P-3ES SHOWN

RoHS COMPLIANT

CUSTOMER APPROVAL

THIS DOCUMENT CONTAINS CONFIDENTIAL INFORMATION PROPRIETARY TO CONXALL CORPORATION. ANY REPRODUCTION, DISCLOSURE, OR USE OF THIS DOCUMENT /INFORMATION IS EXPRESSLY PROHIBITED UNLESS AUTHORIZED IN WRITING BY CONXALL CORPORATION.

APPROVED BY: _____

DATE: _____

0A	PNK	01-12-18	PDR16014
REV.	INIT.	DATE	DESCRIPTION
			ORIG. DRAWN BY: PNK DATE: 01-12-18
ALL INFORMATION ILLUSTRATED IS THE PROPERTY OF "CONXALL CORPORATION". UNAUTHORIZED DUPLICATION OR DISTRIBUTION OF THIS DOCUMENT IS PROHIBITED.			<p>601 E. WILDWOOD VILLA PARK, IL 60181</p>
ALL UNITS ARE IN FEET, INCHES, FRACTION OF INCHES AND DECIMALS.			
APPROVED BY:		TITLE: PANEL-MOUNT CONNECTOR	
SCALE: NTS		SHEET: 1 OF 1	
FILE: W7C8X-6PG-P-3XX_CD		CUSTOMER: STANDARD PRODUCT	
DIRECTORY: SLW		PART NUMBER: W7C8X-6PG-P-3XX	
			REV: 0A