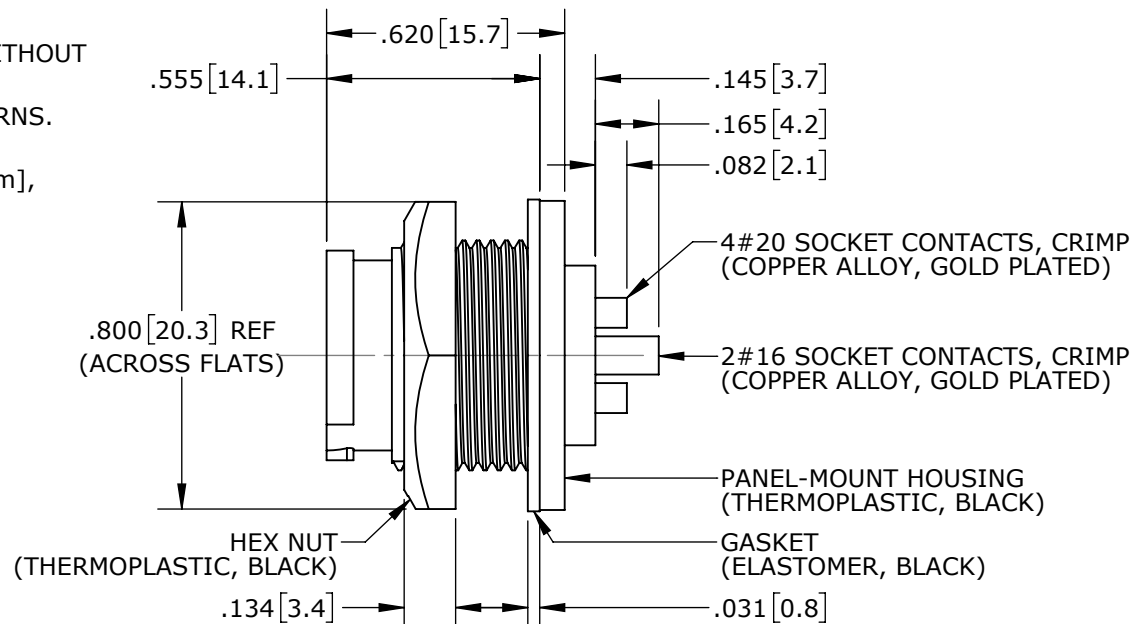


CUSTOMER PRINT

PART NUMBER: W7C8X-6SG-P-3XX_CD

- NOTES:
1. CRIMP CONTACTS SUPPLIED UNASSEMBLED AND WITHOUT EPOXY BACKING.
 2. REFER TO DRAWING HPMIMIX FOR CONTACT PATTERNS.
 3. HEX-NUT TORQUE: 8-10 IN-LB.
 4. DIMENSIONS ARE REFERENCE ONLY, IN INCHES [mm], WITHIN ±0.015 UNLESS OTHERWISE NOTED.



CRIMP CONTACTS (SHOWN ASSEMBLED)
W7C80-6SG-P-300 SHOWN

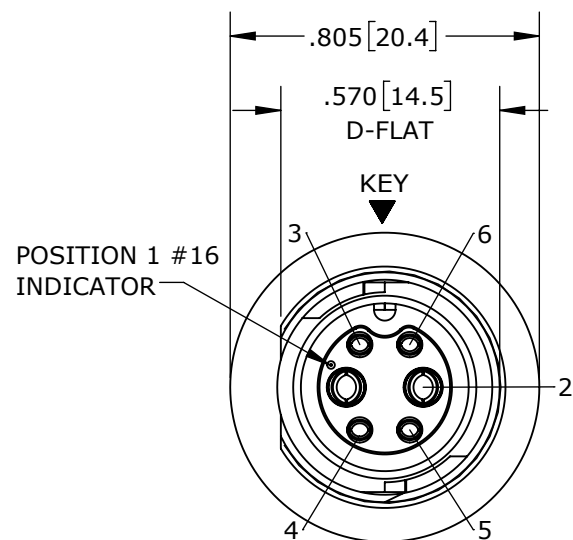
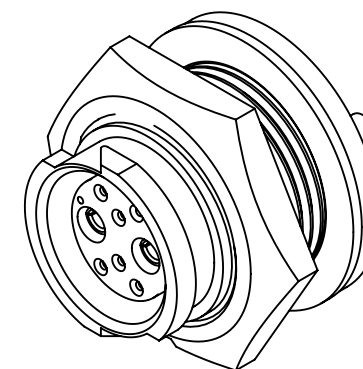
PANEL-MOUNT CONNECTOR PART NUMBERS:

W 7 C 8 X - 6 S G - P - 3XX

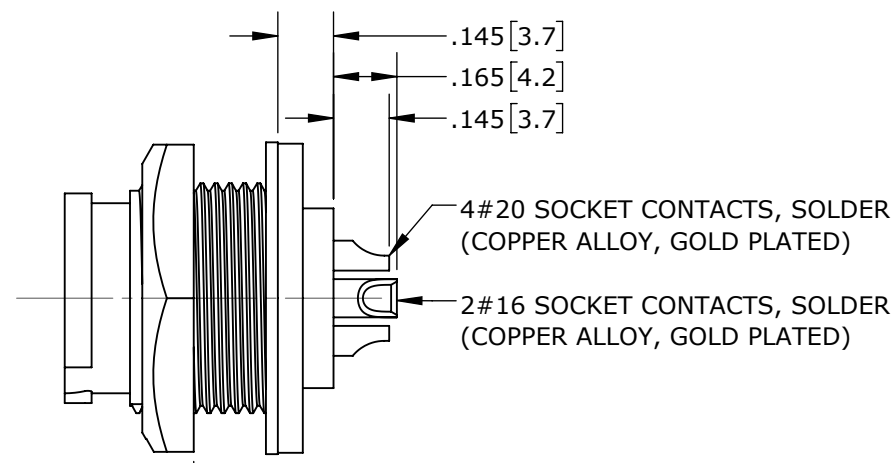
MIXED CONTACTS:
C = 2 #16 + 4 #20

CONTACTS STYLE:
0 = CRIMP
2 = SOLDER
1 = PC TAIL

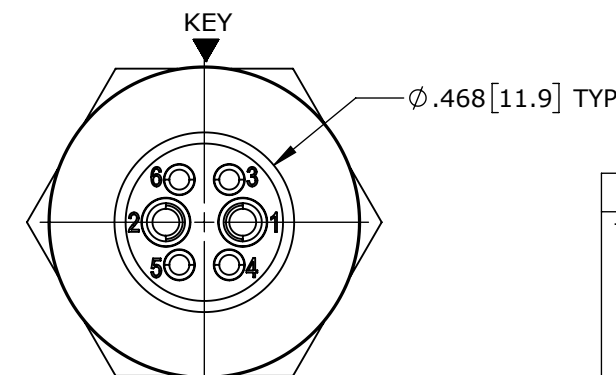
EPOXY BACKING:
3ES = WITH EPOXY
300 = WITHOUT EPOXY



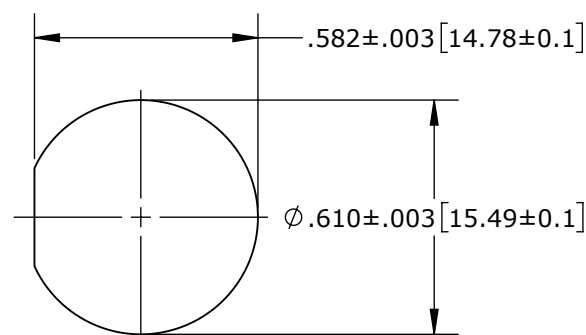
MATING FACE
W7C82-6SG-P-300 SHOWN



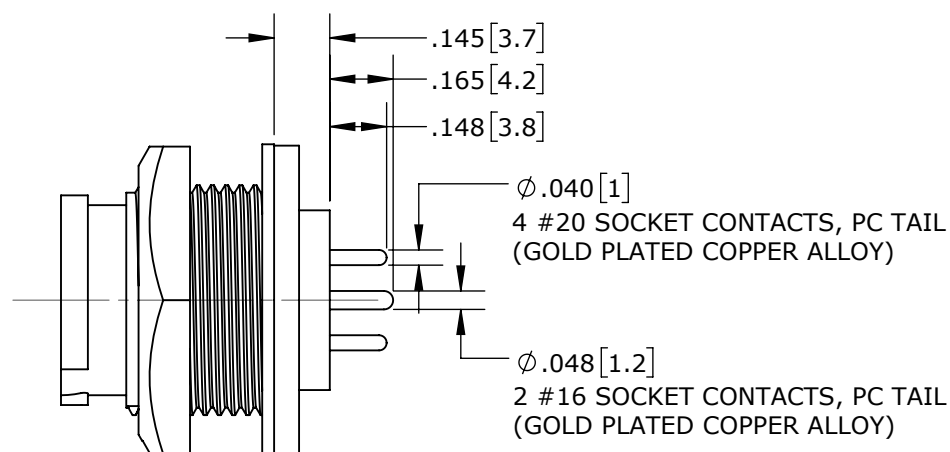
SOLDER CONTACTS
W7C82-6SG-P-300 SHOWN



WIRING END
W7C82-6SG-P-300 SHOWN



RECOMMENDED PANEL CUTOUT



PC TAIL CONTACTS
W7C81-6SG-P-3ES SHOWN

CUSTOMER APPROVAL

THIS DOCUMENT CONTAINS CONFIDENTIAL INFORMATION PROPRIETARY TO CONXALL CORPORATION. ANY REPRODUCTION, DISCLOSURE, OR USE OF THIS DOCUMENT / INFORMATION IS EXPRESSLY PROHIBITED UNLESS AUTHORIZED IN WRITING BY CONXALL CORPORATION.

APPROVED BY: _____

DATE: _____

| | | | |
|--|----------------|--|--|
| 0A | PNK | 01-12-18 | PDR16014 |
| REV. | INIT. | DATE | DESCRIPTION |
| | | | ORIG. DRAWN BY: PNK DATE: 01-12-18 |
| ALL INFORMATION ILLUSTRATED IS THE PROPERTY OF "CONXALL CORPORATION". UNAUTHORIZED DUPLICATION OR DISTRIBUTION OF THIS DOCUMENT IS PROHIBITED. | | | 601 E. WILDWOOD VILLA PARK, IL 60181 |
| ALL UNITS ARE IN FEET, INCHES, FRACTION OF INCHES AND DECIMALS. | | | |
| APPROVED BY: | | TITLE: PANEL-MOUNT CONNECTOR 2 #16 + 4 #20 SOCKET CONTACTS INSTA-CLICK™ MINI-CON-X | |
| SCALE: NTS | SIZE: B | SHEET: 1 OF 1 | CUSTOMER: STANDARD PRODUCT |
| FILE: W7C8X-6SG-P-3XX_CD | DIRECTORY: SLW | PART NUMBER: W7C8X-6SG-P-3XX | REV: 0A |

RoHS COMPLIANT