

CUSTOMER PRINT

PART NUMBER: W8280-XPG-P-5XX

- NOTES:
 1. ALL PARTS TO BE BULK PACKED.
 2. REFER TO DRAWING HPMISTD FOR CONTACT PATTERNS.
 3. DIMENSIONS ARE REFERENCE ONLY, IN INCHES [mm].

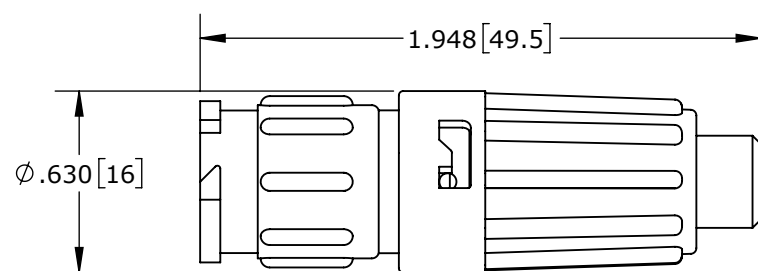
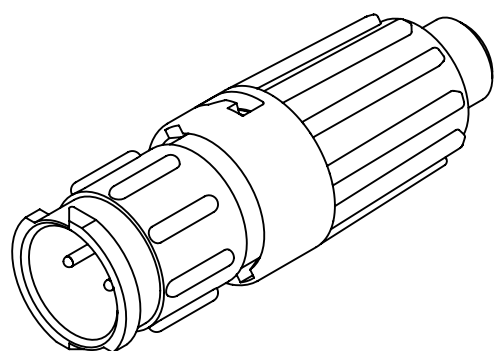
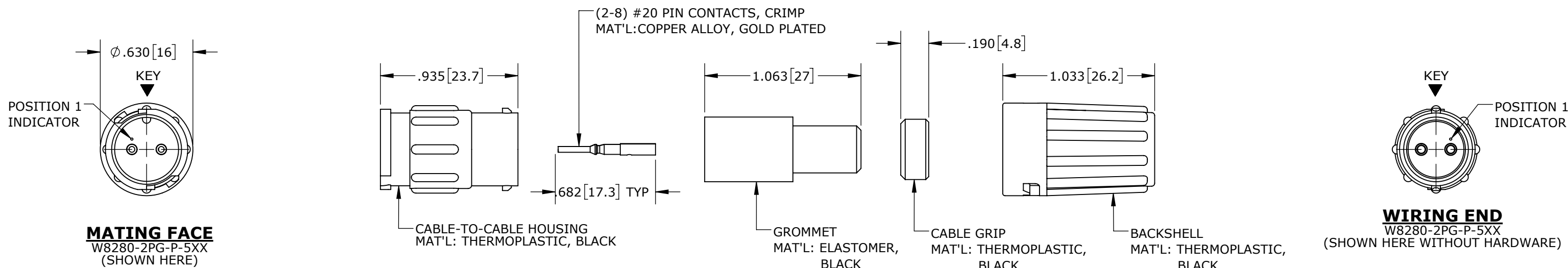
CABLE-TO-CABLE CONNECTOR PART NUMBERS:

W 8 2 8 0 - X P G - P - XXX

CONTACTS STYLE:
 0 = CRIMP

OF CONTACTS:
 2-8 #20 PINS

GROMMET SIZE = CABLE O.D. RANGE:
513 = 0.13 - 0.15 [3.3 - 3.8]
516 = 0.16 - 0.18 [4.1 - 4.6]
519 = 0.19 - 0.21 [4.8 - 5.3]
522 = 0.22 - 0.25 [5.6 - 6.3]
526 = 0.25 - 0.27 [6.3 - 6.8]
528 = 0.26 - 0.28 [6.6 - 7.2]

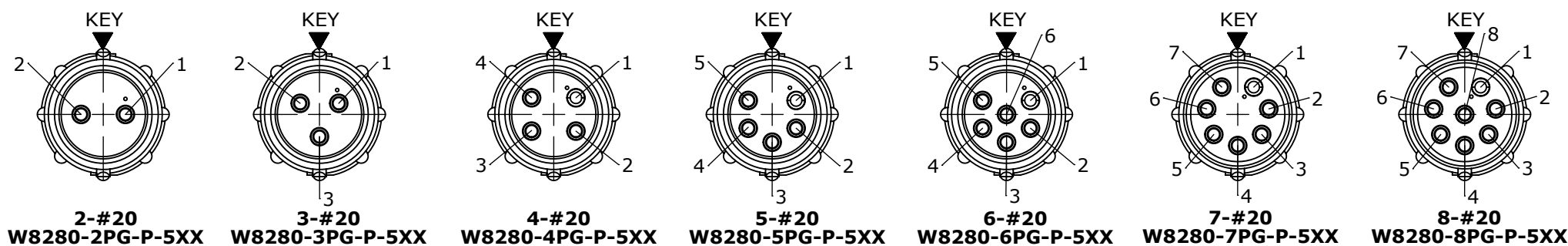


TYPICAL CABLE-TO-CABLE CONNECTOR
 SHOWN ASSEMBLED

CUSTOMER APPROVAL

THIS DOCUMENT CONTAINS CONFIDENTIAL INFORMATION PROPRIETARY TO CONXALL CORPORATION. ANY REPRODUCTION, DISCLOSURE, OR USE OF THIS DOCUMENT / INFORMATION IS EXPRESSLY PROHIBITED UNLESS AUTHORIZED IN WRITING BY CONXALL CORPORATION.

APPROVED BY: _____
 DATE: _____



CONTACT ARRANGEMENTS (WIRING END SHOWN)

RoHS COMPLIANT

0A	PNK	01-15-18	PDR 16014
REV.	INIT.	DATE	DESCRIPTION
			ORIG. DRAWN BY: PNK DATE: 01-15-18
<small>ALL INFORMATION ILLUSTRATED IS THE PROPERTY OF CONXALL CORPORATION. UNAUTHORIZED DUPLICATION OR DISTRIBUTION OF THIS DOCUMENT IS PROHIBITED.</small>			<p>601 E. WILDWOOD VILLA PARK, IL 60181</p>
<small>ALL UNITS ARE IN FEET, INCHES, FRACTION OF INCHES AND DECIMALS. UNLESS OTHERWISE SPECIFIED TOLERANCES: 3 PLACE DECIMALS ±0.010 ANGLES ±1° FRACTIONS ±1/16</small>			
APPROVED BY:		SCALE: NTS	TITLE: CABLE-TO-CABLE CONNECTOR
		SIZE: B	2-8 #20 PIN CONTACTS, CRIMP
		SHEET: 1 OF 1	INSTA-CLICK™ MINI-CON-X
		DIRECTORY: SLW	CUSTOMER: STANDARD PRODUCT
		FILE: W8280-XPG-P-5XX	PART NUMBER: W8280-XPG-P-5XX
			REV: 0A