

CUSTOMER PRINT

PART NUMBER: W8282-XSG-P-5XX

- NOTES:
 1. ALL PARTS TO BE BULK PACKED.
 2. REFER TO DRAWING HPMISTD FOR CONTACT PATTERNS.
 3. DIMENSIONS ARE REFERENCE ONLY, IN INCHES [mm].

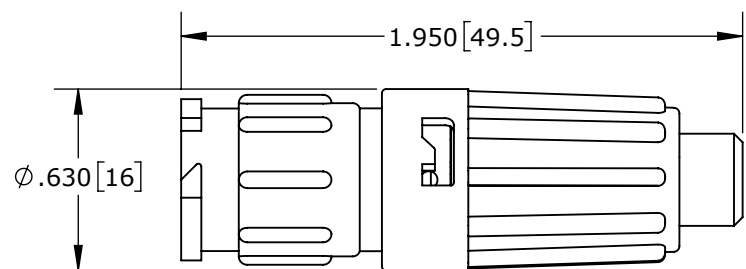
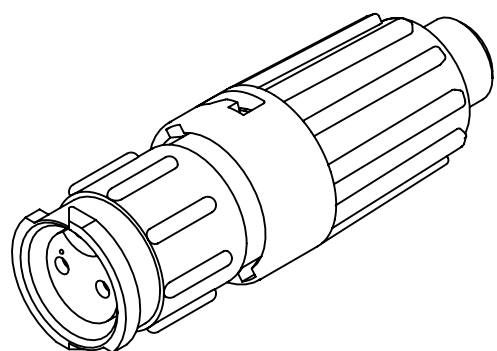
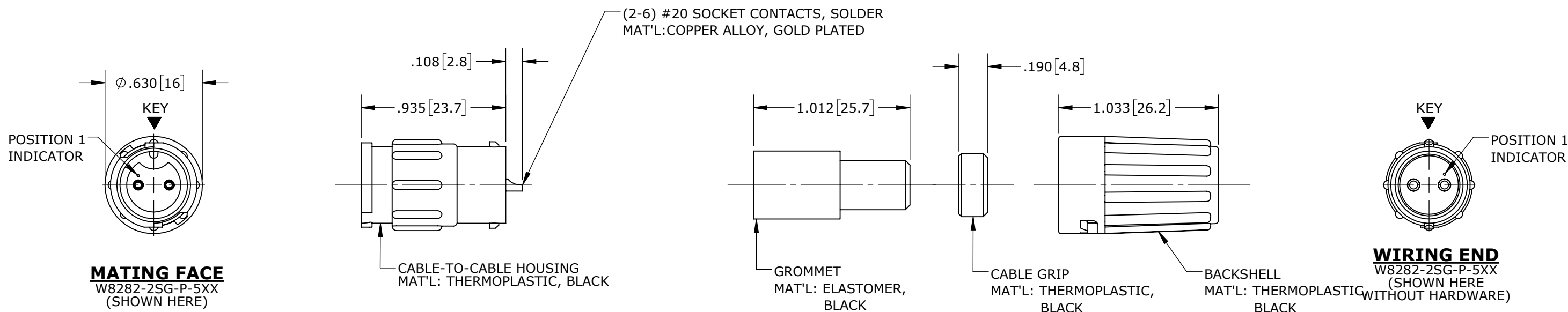
CABLE-TO-CABLE CONNECTOR PART NUMBERS:

W 8 2 8 2 - X S G - P - XXX

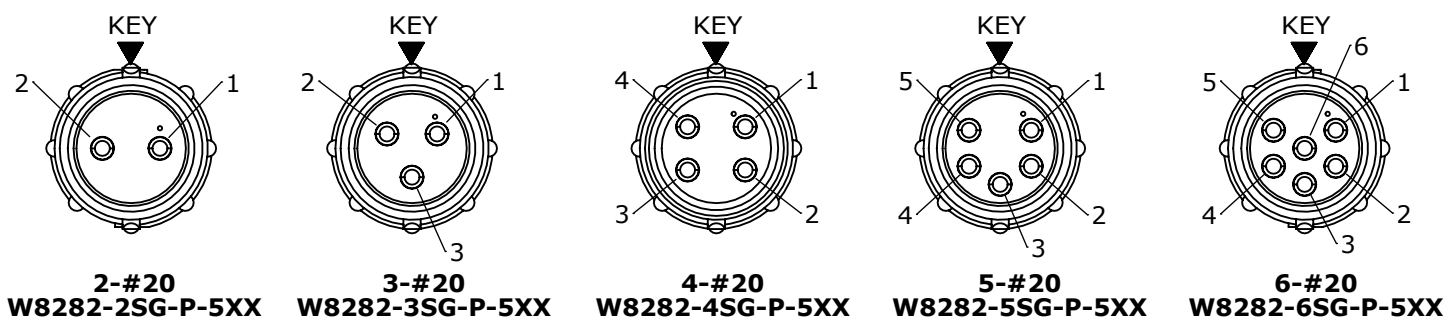
CONTACTS STYLE:
2 = SOLDER

OF CONTACTS:
2-6 #20 SOCKET

GROMMET SIZE = CABLE O.D. RANGE:
513 = 0.13 - 0.15 [3.3 - 3.8]
516 = 0.16 - 0.18 [4.1 - 4.6]
519 = 0.19 - 0.21 [4.8 - 5.3]
522 = 0.22 - 0.25 [5.6 - 6.3]
526 = 0.25 - 0.27 [6.3 - 6.8]
528 = 0.26 - 0.28 [6.6 - 7.2]



TYPICAL CABLE-TO-CABLE CONNECTOR
SHOWN ASSEMBLED



CONTACT ARRANGEMENTS (WIRING END SHOWN)

CUSTOMER APPROVAL

THIS DOCUMENT CONTAINS CONFIDENTIAL INFORMATION PROPRIETARY TO CONXALL CORPORATION. ANY REPRODUCTION, DISCLOSURE, OR USE OF THIS DOCUMENT / INFORMATION IS EXPRESSLY PROHIBITED UNLESS AUTHORIZED IN WRITING BY CONXALL CORPORATION.

APPROVED BY: _____
 DATE: _____

RoHS COMPLIANT

0A	PNK	01-15-18	PDR 16014
REV.	INIT.	DATE	DESCRIPTION
	PNK	01-15-18	ORIG. DRAWN BY: DATE: 01-15-18
ALL INFORMATION ILLUSTRATED IS THE PROPERTY OF CONXALL CORPORATION. UNAUTHORIZED DUPLICATION OR DISTRIBUTION OF THIS DOCUMENT IS PROHIBITED.			 601 E. WILDWOOD VILLA PARK, IL 60181
UNLESS OTHERWISE SPECIFIED TOLERANCES: 3 PLACE DECIMALS ±0.010 ANGLES ±1° FRACTIONS ±1/16			
ALL UNITS ARE IN FEET, INCHES, FRACTION OF INCHES AND DECIMALS.			TITLE: CABLE-TO-CABLE CONNECTOR 2-6 #20 SOCKET CONTACTS, SOLDER INSTA-CLICK™ MINI-CON-X
APPROVED BY: _____			CUSTOMER: STANDARD PRODUCT
SCALE	SIZE	SHEET	PART NUMBER: W8282-XSG-P-5XX
NTS	B	1 OF 1	REV 0A
FILE: W8282-XSG-P-5XX	DIRECTORY: SLW		