

CUSTOMER PRINT

PART NUMBER: W8380-XPG-P-5XX

- NOTES:
 1. ALL PARTS TO BE BULK PACKED.
 2. REFER TO DRAWING HPMISTD FOR CONTACT PATTERNS.
 3. DIMENSIONS ARE REFERENCE ONLY, IN INCHES [mm].

CABLE-TO-CABLE CONNECTOR PART NUMBERS:

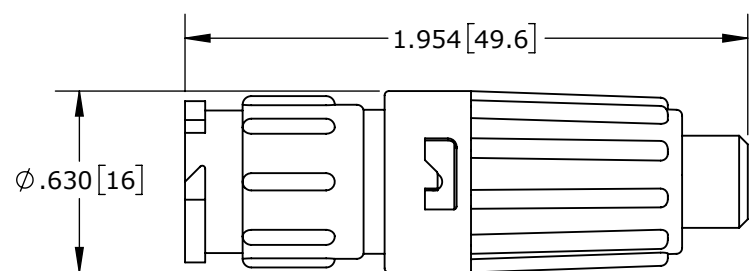
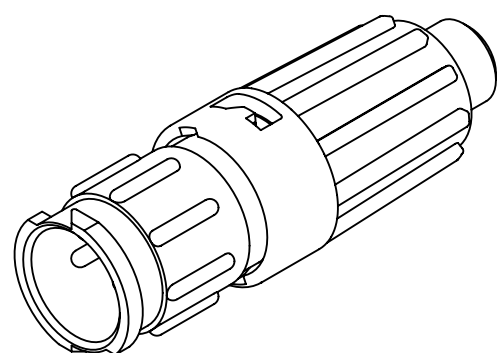
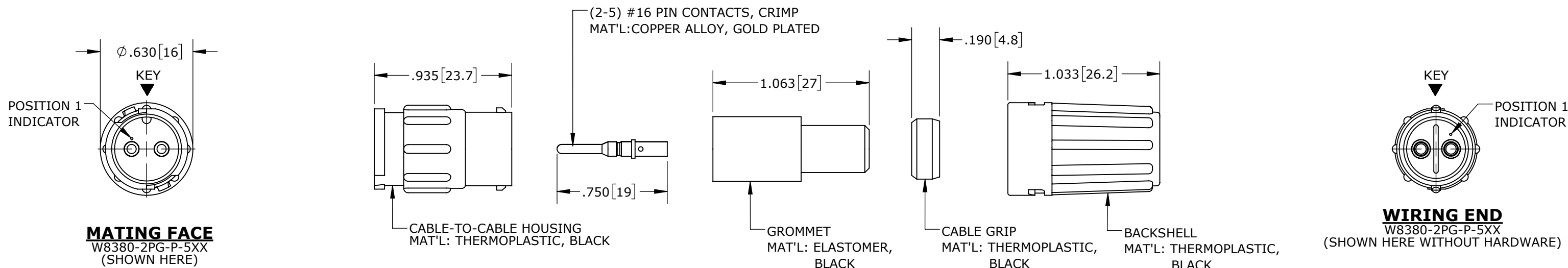
W 8 3 8 0 - X P G - P - XXX

CONTACTS STYLE:
 0 = CRIMP

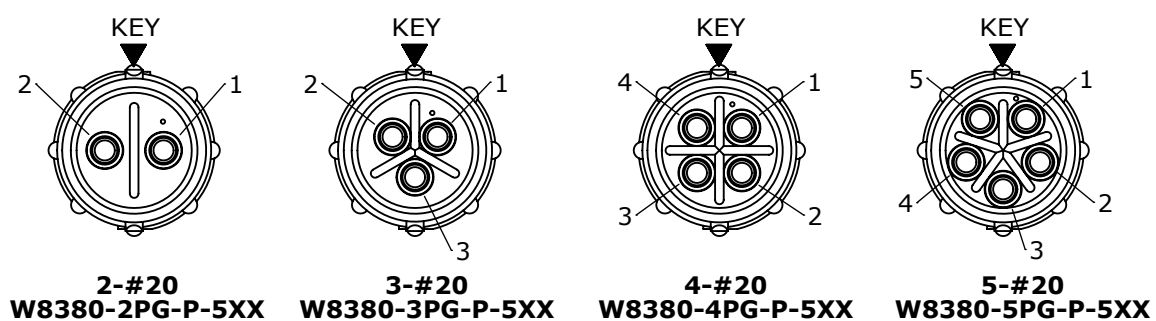
OF CONTACTS:
 2-5 #16 PINS

GROMMET SIZE = CABLE O.D. RANGE:

- 513** = 0.13 - 0.15 [3.3 - 3.8]
- 516** = 0.16 - 0.18 [4.1 - 4.6]
- 519** = 0.19 - 0.21 [4.8 - 5.3]
- 522** = 0.22 - 0.25 [5.6 - 6.3]
- 526** = 0.25 - 0.27 [6.3 - 6.8]
- 528** = 0.26 - 0.28 [6.6 - 7.2]



TYPICAL CABLE-TO-CABLE CONNECTOR
 SHOWN ASSEMBLED



CONTACT ARRANGEMENTS (WIRING END SHOWN)

CUSTOMER APPROVAL

THIS DOCUMENT CONTAINS CONFIDENTIAL INFORMATION PROPRIETARY TO CONXALL CORPORATION. ANY REPRODUCTION, DISCLOSURE, OR USE OF THIS DOCUMENT / INFORMATION IS EXPRESSLY PROHIBITED UNLESS AUTHORIZED IN WRITING BY CONXALL CORPORATION.

APPROVED BY: _____
 DATE: _____

RoHS COMPLIANT

0A	PNK	01-15-18	PDR 16014
REV.	INIT.	DATE	DESCRIPTION
	PNK	01-15-18	ALL INFORMATION ILLUSTRATED IS THE PROPERTY OF "CONXALL CORPORATION". UNAUTHORIZED DUPLICATION OR DISTRIBUTION OF THIS DOCUMENT IS PROHIBITED.
CHECKED BY:		ORIG. DRAWN BY: DATE:	
		PNK 01-15-18	
APPROVED BY:		TITLE: CABLE-TO-CABLE CONNECTOR	
		2-5 #16 PIN CONTACTS, CRIMP	
		INSTA-CLICK™ MINI-CON-X	
		CUSTOMER: STANDARD PRODUCT	
SCALE	SIZE	SHEET	
NTS	B	1 OF 1	
FILE:	DIRECTORY:	PART NUMBER:	REV
W8380-XPG-P-5XX	SLW	W8380-XPG-P-5XX	0A



601 E. WILDWOOD VILLA PARK, IL 60181