

CUSTOMER PRINT

PART NUMBER: W8380-XSG-P-5XX

NOTES:

1. ALL PARTS TO BE BULK PACKED.
2. REFER TO DRAWING HPMISTD FOR CONTACT PATTERNS.
3. DIMENSIONS ARE REFERENCE ONLY, IN INCHES [mm].

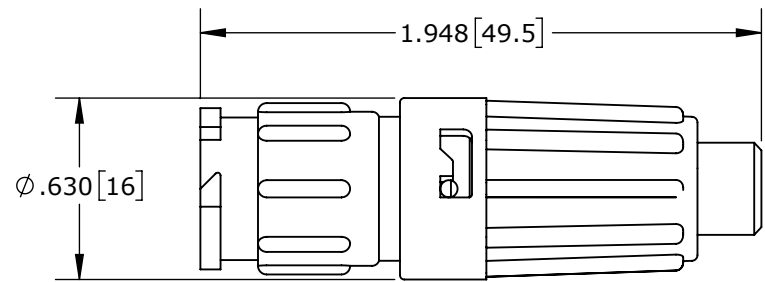
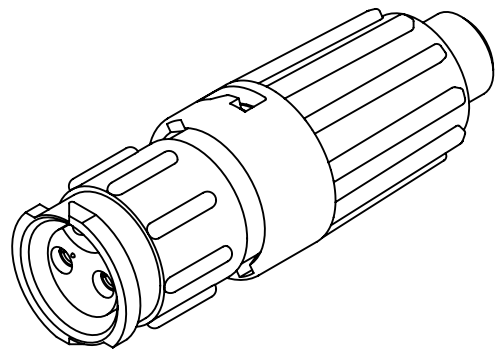
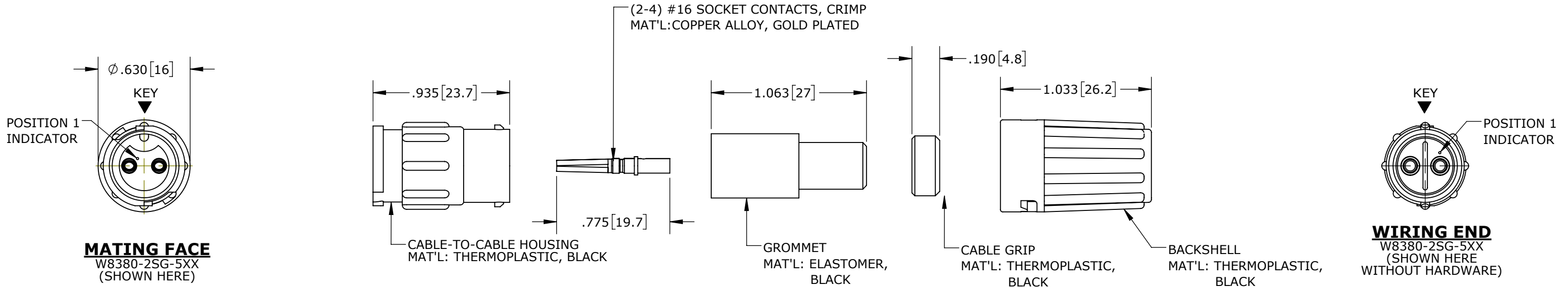
CABLE-TO-CABLE CONNECTOR PART NUMBERS:

W 8 3 8 0 - X S G - P - XXX

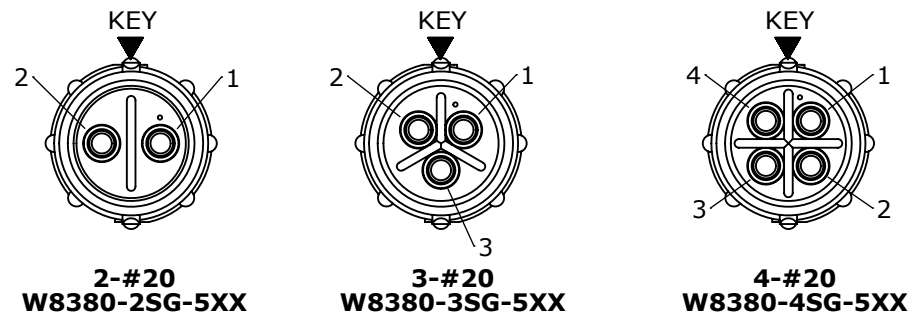
CONTACTS STYLE:
0 = CRIMP

OF CONTACTS:
2-4 #16 SOCKET

GROMMET SIZE = CABLE O.D. RANGE:
513 = 0.13 - 0.15 [3.3 - 3.8]
516 = 0.16 - 0.18 [4.1 - 4.6]
519 = 0.19 - 0.21 [4.8 - 5.3]
522 = 0.22 - 0.25 [5.6 - 6.3]
526 = 0.25 - 0.27 [6.3 - 6.8]
528 = 0.26 - 0.28 [6.6 - 7.2]



TYPICAL CABLE-TO-CABLE CONNECTOR
SHOWN ASSEMBLED



CONTACT ARRANGEMENTS (WIRING END SHOWN)

CUSTOMER APPROVAL

THIS DOCUMENT CONTAINS CONFIDENTIAL INFORMATION PROPRIETARY TO CONXALL CORPORATION. ANY REPRODUCTION, DISCLOSURE, OR USE OF THIS DOCUMENT / INFORMATION IS EXPRESSLY PROHIBITED UNLESS AUTHORIZED IN WRITING BY CONXALL CORPORATION.

APPROVED BY: _____
DATE: _____

0A	PNK	01-15-18	PDR 16014
REV.	INIT.	DATE	DESCRIPTION
	PNK	01-15-18	ORIG. DRAWN BY: DATE: PNK 01-15-18
ALL INFORMATION ILLUSTRATED IS THE PROPERTY OF "CONXALL CORPORATION". UNAUTHORIZED DUPLICATION OR DISTRIBUTION OF THIS DOCUMENT IS PROHIBITED.			 601 E. WILDWOOD VILLA PARK, IL 60181
UNLESS OTHERWISE SPECIFIED TOLERANCES: 3 PLACE DECIMALS ±0.010 ANGLES ±1° FRACTIONS ±1/16 ◁ - CRITICAL CHARACTERISTIC FLAG PER SPEC. XXXX			
APPROVED BY:		TITLE: CABLE-TO-CABLE CONNECTOR 2-4 #16 SOCKET CONTACTS, CRIMP INSTA-CLICK™ MINI-CON-X	
SCALE	SIZE	SHEET	CUSTOMER: STANDARD PRODUCT
NTS	B	1 OF 1	
FILE:	DIRECTORY:	PART NUMBER:	REV
W8380-XSG-P-5XX	SLW	W8380-XSG-P-5XX	0A

RoHS COMPLIANT