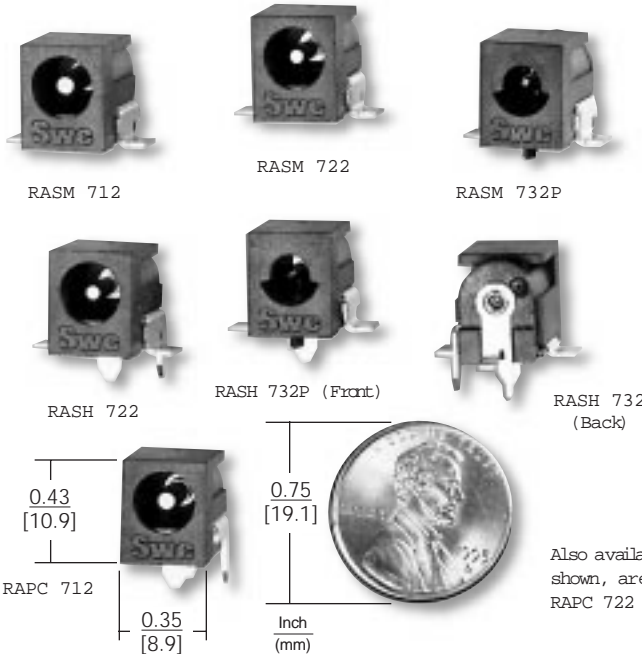


# Switchcraft®

## RIGHT-ANGLE MINIATURE POWER JACKS

NEW  
PRODUCT  
BULLETIN

500



**INTRODUCING**  
• SURFACE MOUNT  
• NEW FLAT TOP HOUSING FOR PICK AND PLACE

Also available, but not shown, are the RASH 712, RAPC 722 and RAPC 732.

### FEATURES AND BENEFITS

- Right-angle power jack for PC mounting.
- Three center conductor pin diameters: .100", .080", and .050".
- Three termination styles, through hole, surface mount and hybrid (combination through hole and surface mount) which allows use of universal PC board.
- Heat resistant materials for high temperature soldering.
- Flat top aids automatic placement on PC boards.
- Sleeve/shunt spring functions as a built-in switch (eg. permits automatic switchover from AC to DC when plug is inserted or withdrawn).
- Also available with optional post which secures the jack to the PC board during insertion and withdrawal.

### APPLICATIONS

- DC-powered hand held instrumentation
- Portable computers
- Cellular/portable phones
- Battery chargers
- External low voltage power supplies for instrumentation and more.

### SPECIFICATIONS

#### MATERIALS

**Housing:** High grade thermoplastic UL 94V-O  
**Center Pin:** Brass, nickel-plated

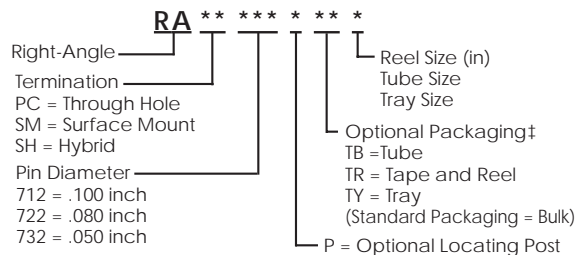
Part Number	Materials	
	Terminals	Spring
RAPC712 RAPC722 RAPC732	Brass, silver-plated	Copper alloy, silver-plated
RASM712 RASM722 RASM732 RASH712 RASH722 RASH732	Brass, solder-plated	Copper alloy, solder-plated

### MECHANICAL

**Life:** 5,000 cycles minimum  
**Insertion Force:** 5 lb. maximum  
**Withdrawal Force:** 0.5 lb. minimum

### ELECTRICAL

**Contact Resistance:** 30 milliohms maximum  
**Insulation Resistance:** 30 megohms @ 100V DC  
**Dielectric Withstanding Voltage:** 250V AC for 1 minute  
**Current (carrying):** 5 A



Right-Angle Power Jacks	Pin Size	Typical Mating Plug
RAPC712 RASH712 RASM712	.100"	760 Black Handle 765 Red Handle ST765 or RA765 for molded cables
RAPC722 RASH722 RASM722	.080"	S760 Black Handle S765 Red Handle ST760 or RA760 for molded cables
RAPC732 RASH732 RASM732	.050"	860* Black handle 865* Red Handle ST860* or RA860* for molded cables

See Engineering Design Guide for other power jacks and plugs.

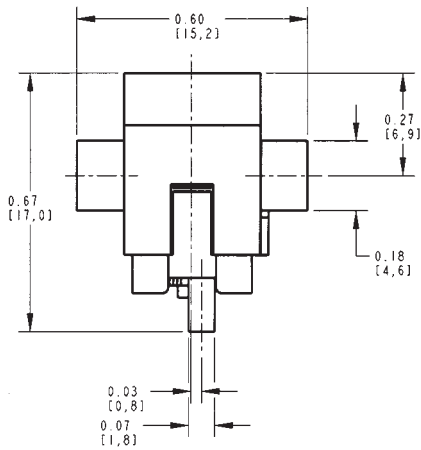
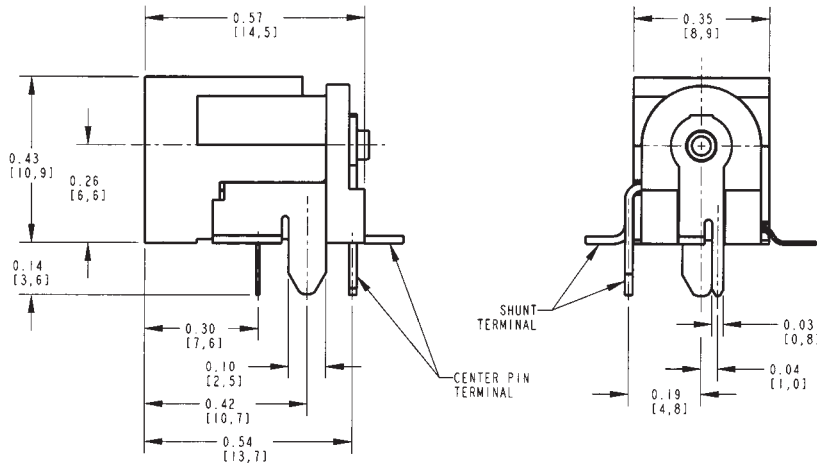
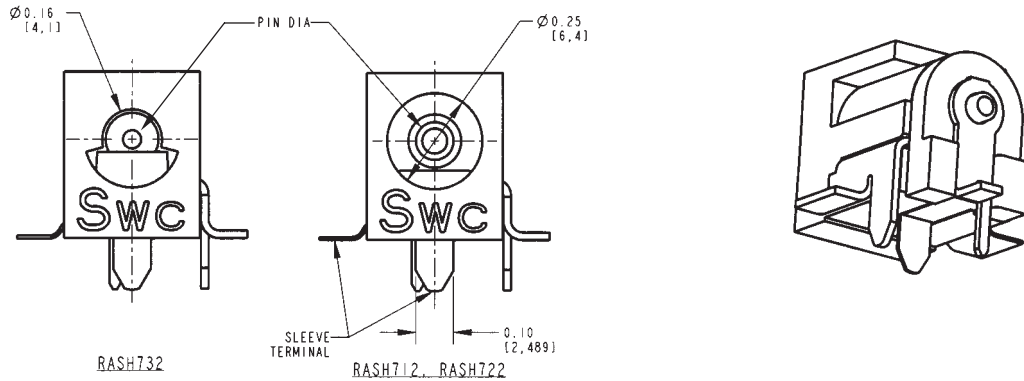
\* Not available at time of printing.

Special order only, contact Switchcraft.

‡ Contact Factory

RIGHT-ANGLE MINIATURE POWER JACKS

# Switchcraft®



DIMENSIONS ARE FOR REFERENCE ONLY Inch  
(mm)

RASH 712, 722 and 732

Switchcraft, Inc., a subsidiary of Raytheon Company, is a major manufacturer of a broad line of electronic/electromechanical components for the audio/video, telecommunication, data communication, computer, medical, military, appliance, transportation and instrumentation markets.

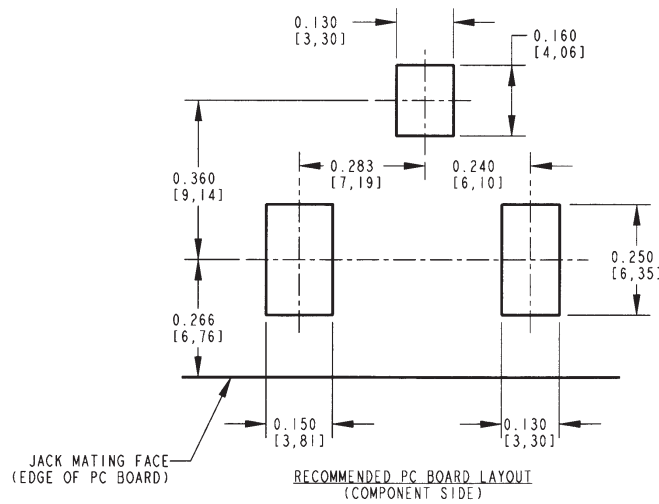
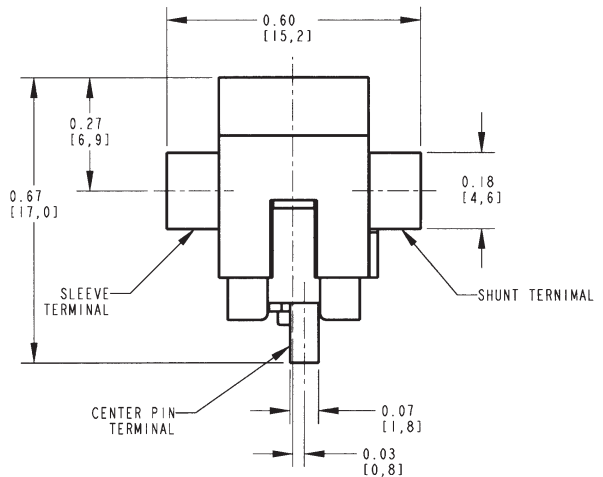
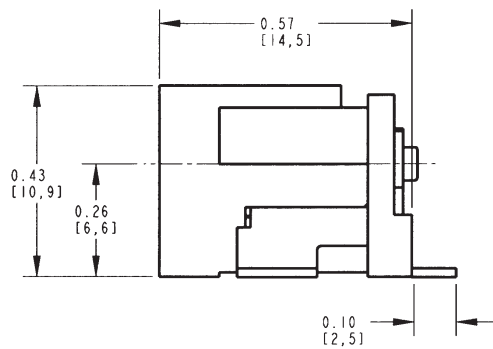
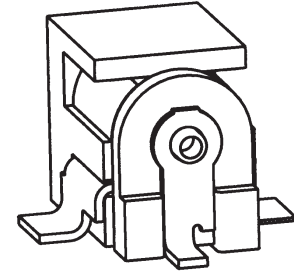
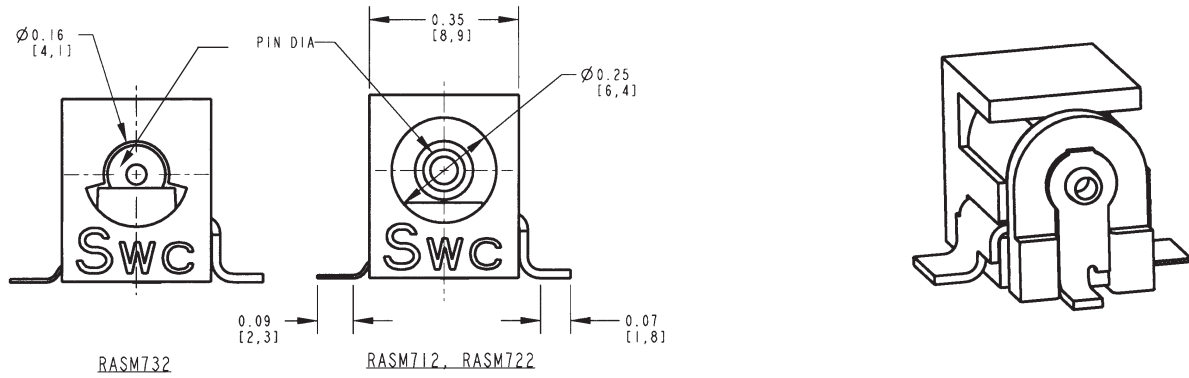
**Raytheon** Electronics

**Switchcraft®**

**SWITCHCRAFT, INC.**  
 5555 NORTH ELSTON AVENUE  
 CHICAGO, IL 60630  
 (312) 631-1234 • FAX: (312) 792-2129  
 (As of October 12, our new area code will be 773)  
 www.switchcraft.com  
 Switchcraft® — Consistently Excellent Since 1946<sup>SM</sup>



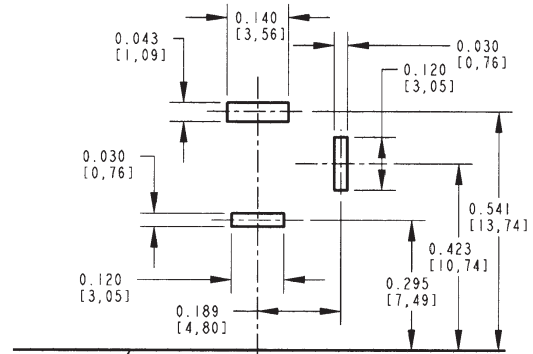
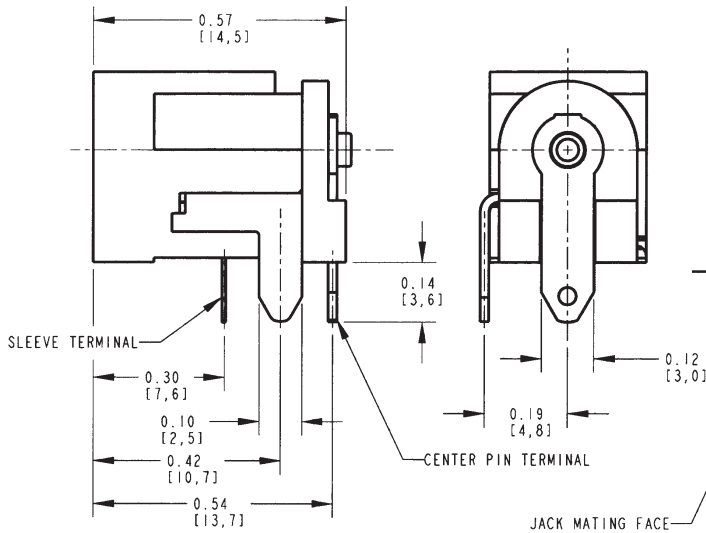
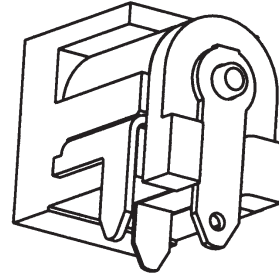
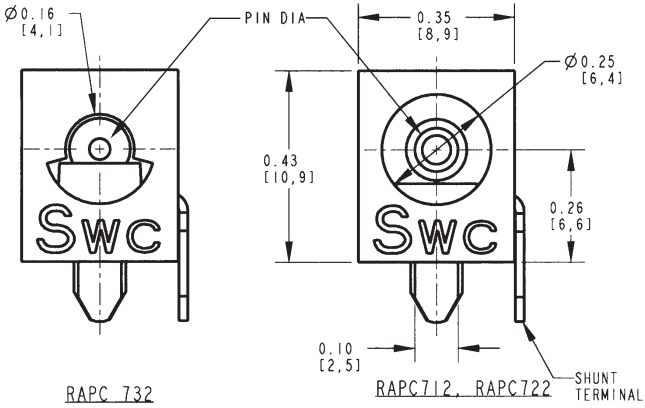
We reserve the right to change prices, specifications and/or part numbers contained herein when circumstances make it necessary.



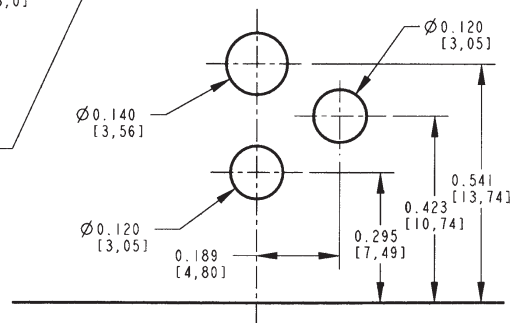
DIMENSIONS ARE FOR REFERENCE ONLY  $\frac{\text{Inch}}{(\text{mm})}$

RASM 712, 722 and 732

RIGHT-ANGLE MINIATURE POWER JACKS



RECOMMENDED PC BOARD LAYOUT (COMPONENT SIDE)



ALTERNATE PC BOARD LAYOUT (COMPONENT SIDE)

DIMENSIONS ARE FOR REFERENCE ONLY  $\frac{\text{Inch}}{\text{(mm)}}$

RAPC 712, 722 and 732